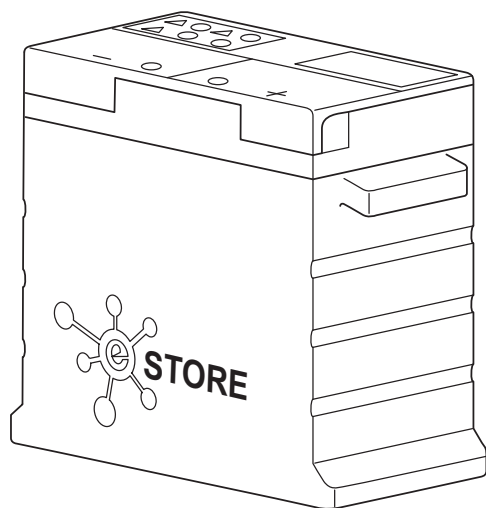


# ↔ DOMETIC

# ENERGY & LIGHTING

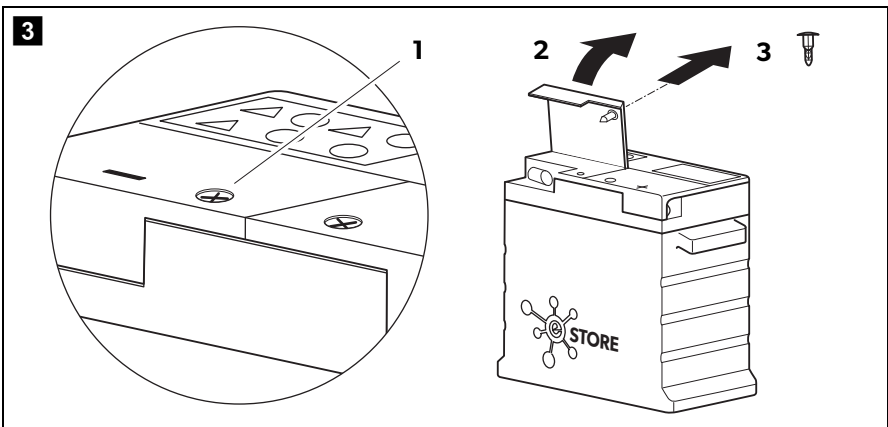
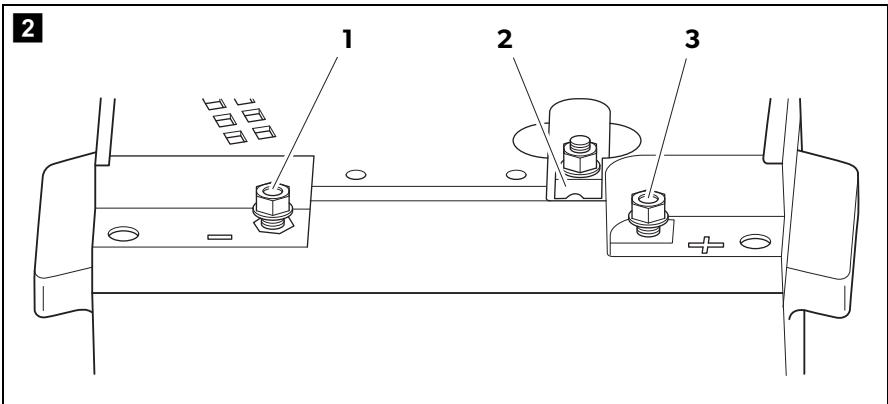
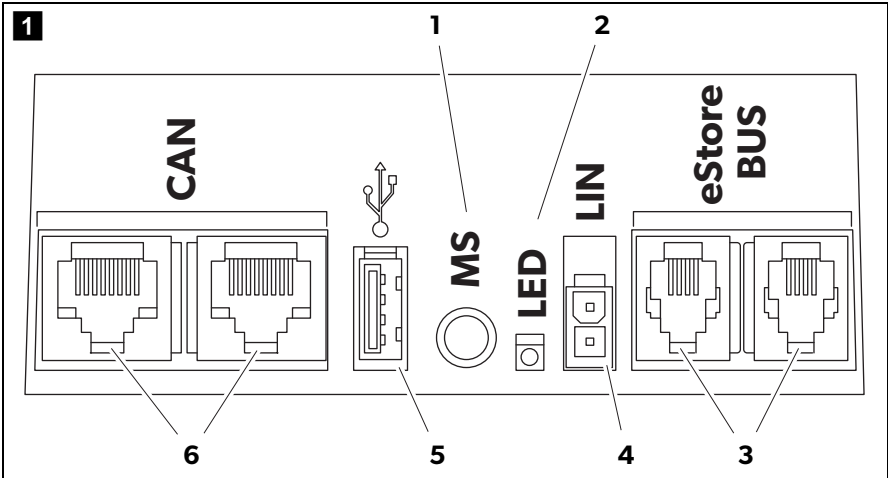
# eSTORE

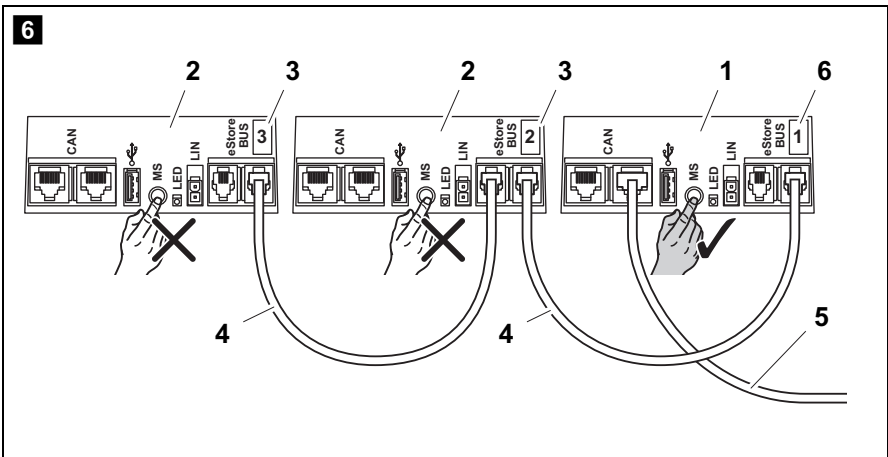
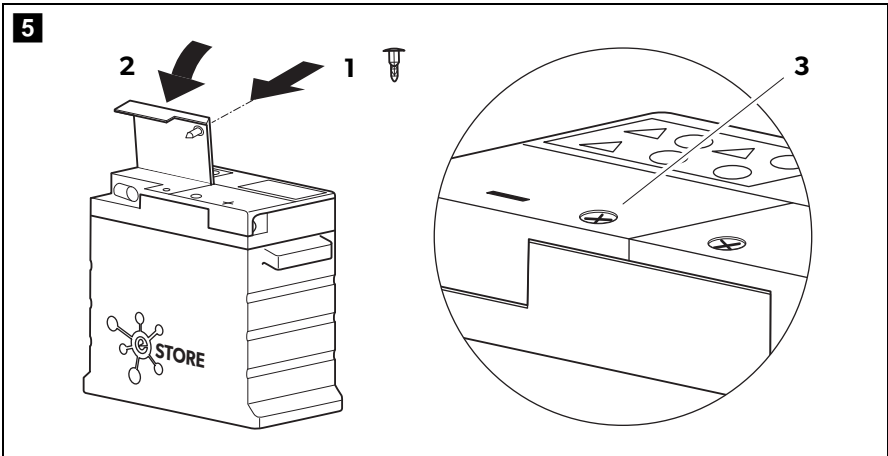
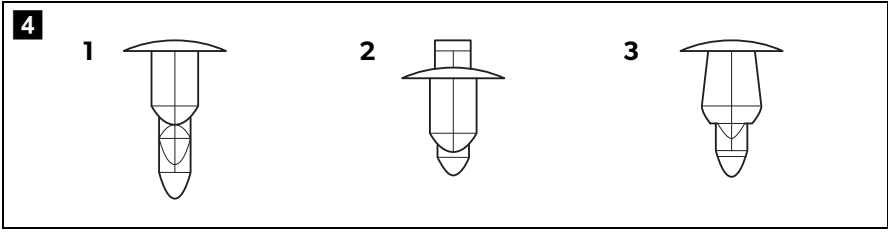


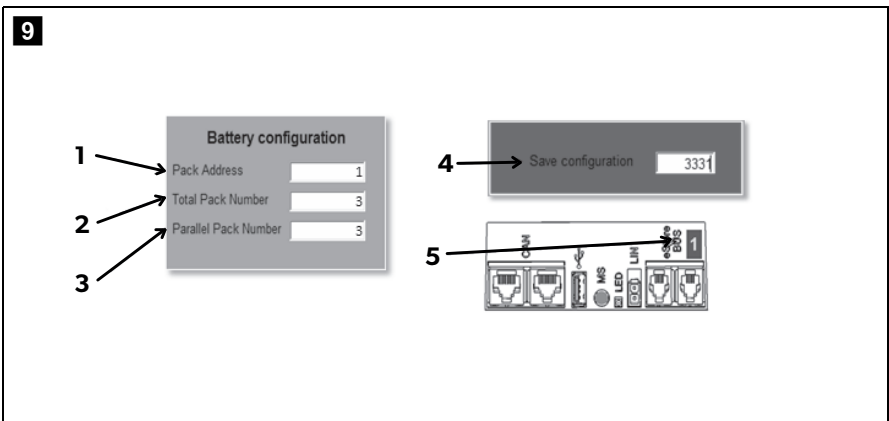
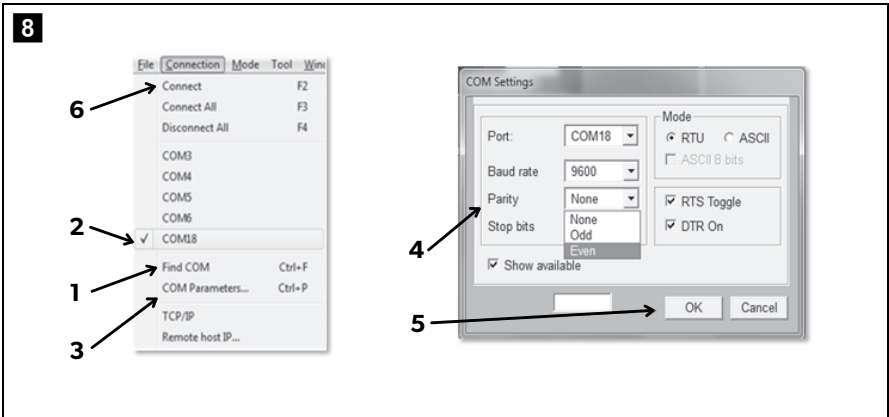
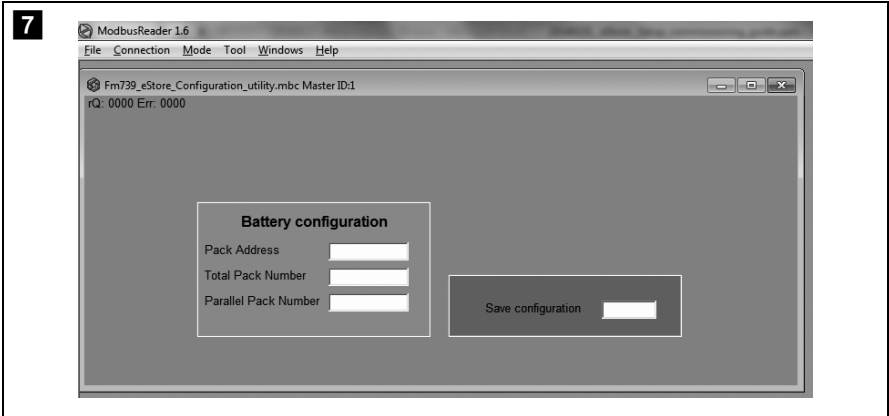
## eStore

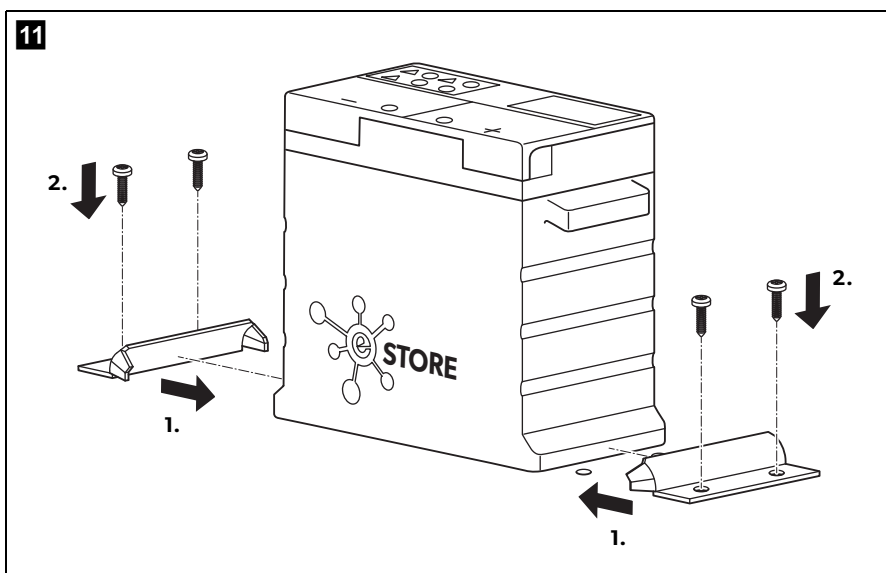
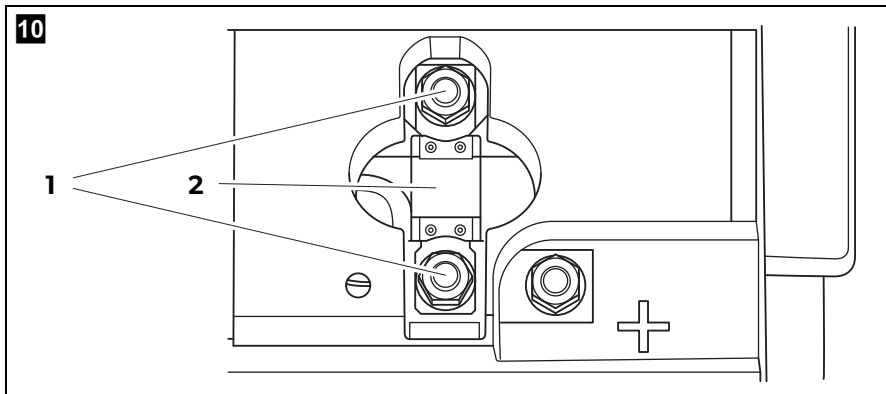
- |           |   |           |  |
|-----------|---|-----------|--|
| <b>EN</b> | <b>Battery</b><br>Installation and Operating Manual . . . . . 8                 | <b>NL</b> | <b>Accu</b><br>Montagehandleiding en<br>gebruiksaanwijzing . . . . . 141   |
| <b>DE</b> | <b>Batterie</b><br>Montage- und Bedienungsanleitung . . . . 30                  | <b>DA</b> | <b>Batteri</b><br>Monterings- og betjeningsvejledning . . . 162            |
| <b>FR</b> | <b>Batterie</b><br>Instructions de montage<br>et de service . . . . . 53        | <b>SV</b> | <b>Batteri</b><br>Monterings- och bruksanvisning . . . . . 183             |
| <b>ES</b> | <b>Batería</b><br>Instrucciones de montaje y de uso . . . . . 75                | <b>NO</b> | <b>Batteri</b><br>Monterings- og bruksanvisning . . . . . 204              |
| <b>PT</b> | <b>Bateria</b><br>Instruções de montagem e manual de<br>instruções . . . . . 98 | <b>FI</b> | <b>Akku</b><br>Asennus- ja käyttöohje . . . . . 225                        |
| <b>IT</b> | <b>Batteria</b><br>Istruzioni di montaggio e d'uso . . . . . 119                | <b>RU</b> | <b>Батарея</b><br>Инструкция по монтажу и эксплуатации 246                 |
|           |   | <b>PL</b> | <b>Akumulator</b><br>Instrukcja montażu i obsługi . . . . . 269            |
|           |   | <b>SK</b> | <b>Batéria</b><br>Návod na montáž a uvedenie<br>do prevádzky . . . . . 292 |
|           |   | <b>CS</b> | <b>Baterie</b><br>Návod k montáži a obsluze . . . . . 314                  |
|           |   | <b>HU</b> | <b>Akkumulátor</b><br>Szerelési és használati útmutató . . . . . 336       |

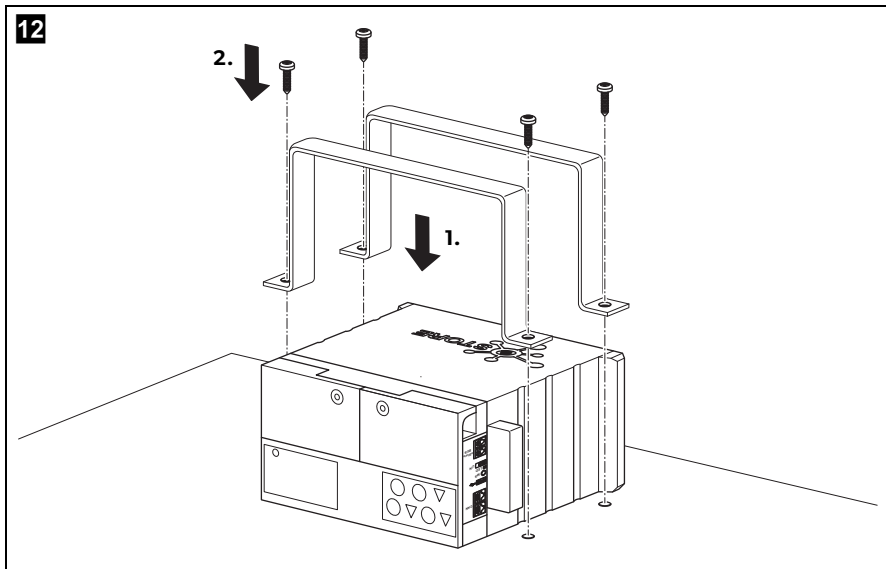












**Please read this instruction manual carefully before installation and first use, and store it in a safe place. If you pass on the product to another person, hand over this instruction manual along with it.**

## Table of contents

1	Explanation of symbols . . . . .	9
2	Safety instructions . . . . .	10
3	Scope of delivery . . . . .	11
4	Accessories . . . . .	12
5	Intended use . . . . .	13
6	Technical description . . . . .	14
7	Attaching eStore . . . . .	16
8	Connecting eStore . . . . .	17
9	Before initial use . . . . .	22
10	Using eStore . . . . .	22
11	Cleaning eStore . . . . .	24
12	Troubleshooting . . . . .	25
13	Warranty . . . . .	28
14	Disposal . . . . .	28
15	Technical data . . . . .	29



# 1 Explanation of symbols

**DANGER!**

**Safety instruction:** Failure to observe this instruction will cause fatal or serious injury.

**WARNING!**

**Safety instruction:** Failure to observe this instruction can cause fatal or serious injury.

**CAUTION!**

**Safety instruction:** Failure to observe this instruction can lead to injury.

**NOTICE!**

Failure to observe this instruction can cause material damage and impair the function of the product.

**NOTE**

Supplementary information for operating the product.

## 2 Safety instructions

The manufacturer accepts no liability for damage in the following cases:

- Damage to the product resulting from mechanical influences and excess voltage or current
- Alterations to the product without express permission from the manufacturer
- Use for purposes other than those described in the operating manual

Note the following basic safety information when using electrical devices to protect against:

- Electric shock
- Fire hazards
- Injury

### 2.1 General safety



#### **DANGER!**

- In the event of fire, use a fire extinguisher which is suitable for electrical devices.



#### **WARNING!**

- Do not use the device if the device itself or its connection cables are visibly damaged.
- This device may only be repaired by qualified personnel. Inadequate repairs may cause serious hazards.
- Persons whose physical sensory or mental capacities prevent them from using this device safely should not operate it without the supervision of a responsible adult.
- **Electrical devices are not toys!**  
Always keep and use the device out of the reach of children.
- Children must be supervised to ensure that they do not play with the device.

**NOTICE!**

- Check that the voltage specification on the type plate is the same as that of the power supply.
- Ensure that other objects **cannot** cause a short circuit on the contacts of the device.
- Ensure that the positive [+] and negative [-] terminals never come into contact.
- If cables have to be led through sharp-edged walls, use a cable duct or cable bushes!
- Do not lay any loose or sharp bent cables against electric-conducting materials (metal).

## 2.2 Operating the device safely

**DANGER! Danger of electrocution!**

- Do not touch exposed cables with your bare hands. This applies especially to connected devices using the AC mains.

**WARNING!**

- Only use the device in closed, well-ventilated rooms.

**CAUTION!**

- Do **not** operate the device
  - In salty, wet or damp environments
  - In the vicinity of corrosive fumes
  - In the vicinity of combustible materials
  - In areas where there is a danger of explosions.
- Do not pull on cables.

## 3 Scope of delivery

- eStore battery
- Installation and operating manual

## 4 Accessories

Available as accessories or spare parts (not included in the scope of delivery):

<b>Part designation</b>	<b>Item number</b>
eStore BUS cable Kit RJ11 pin to pin and eStore ID decals For communication between eStore units in multiple eStores, when using eStore Bus	9102900279
eStore configuration kit Male – Male USB cable and CD For setup of multiple eStores – installers only	9102900281
eStore eCore BUS cable Cat5 LAN cable, RJ45 – pin to pin For communication between eStore and eCore	9102900280
eStore MPC01 BUS cable For communication between eStore and MPC01	9102200197
eStore MCA BUS cable For communication between eStore and MCA chargers, when not using MPC01	9103530048
Replacement fuse (250 A) Littelfuse Mega series, hole distance 50.8mm	9102900282
eStore mounting bracket kit – vertical For mounting eStore in vertical position	9102900289
eStore mounting bracket kit – horizontal For mounting eStore in horizontal position	9102900290

## 5 Intended use

eStore serves as a voltage source of 12 V in power systems for caravans, campers, commercial vehicles and stationary applications. eStore may not be used for medical purposes.

In conjunction with an inverter, such as eCore, devices with 230 V $\sim$  can be supplied.

Use as a starter battery is not possible. eStore must not be directly connected to the starter battery to support engine starting. Up to eight eStore can be connected in parallel to increase the total installed capacity up to 800 Ah.

eStore can be transported with the built-in handles.

## 6 Technical description

### 6.1 General description

eStore is a maintenance-free lithium-ion battery for 12 VDC systems for power supply. It has an internal main switch and an internal 250 A fuse.

In conjunction with a battery management system eStore provides the following functions:

- Battery cell monitoring
- Battery voltage monitoring
- Battery cell temperature monitoring due to integrated temperature sensor
- Communication between multiple eStore batteries

eStore can be used with eCore or PerfectCharge MCA series chargers. Use of a third party charger is also permitted. To ensure the internal main switch remains closed when charging under normal conditions, the charger should have the following specification:

1. end of charge voltage: between 13.8 V and 14.0 V
2. maximum output: 40 A (30 A recommend), per installed eStore

To increase the total installed capacity, up to 8 eStores can be connected in parallel. The maximum combined output current must not exceed 250 A.

**NOTE**

A single eStore can provide current of 250 A for a short time. The continuous current should not exceed 200 A. Continuous discharge current exceeding 200 A from a single eStore can lead to a shorter lifetime. Use two or more eStores when current of more than 200 A is required continuously.

## 6.2 Display and operating elements

Pos. in fig. 1, page 3	Description	Explanation
1	Main Switch Command	activates (closes) and deactivates (opens) the internal main switch
2	Status LED	off: the battery management system is OFF due to storage mode or severe over discharge
		flashes green: the battery management system is active, the main switch is activated or turned on (closed)
		flashes yellow: the battery management system is active, the main switch is deactivated or turned off (open)
		flashes red: malfunction
3	eStore-BUS interface	
4	LIN interface for connection to PerfectCharge MCA chargers and MPC01	
5	USB interface for eStore configuration	
6	CAN-bus interface	

## 6.3 Fuse and connections

Pos. in fig. 2, page 3	Description	Explanation
1	Negative pole	M8 terminal for chargers and consumer
2	Internal fuse	250 A – mounting hole center distance 50.8 mm
3	Positive pole	M8 terminal for chargers and consumer

## 7 Attaching eStore



### WARNING!

Do not secure the eStore using straps, or similar, passing over the plastic eStore cover. This will result in damage to the unit.



### NOTE

If you use multiple connected eStores: configure and mark eStore number on each eStore before installation in the vehicle, see chapter “Connecting multiple eStores” on page 19.

### Observe the following instructions on installation location

- eStore can be installed vertically (fig. **11**, page 6) or horizontally (fig. **12**, page 7), on a flat and stable surface.
  - eStore must not be installed close to combustible materials.
  - The installation location should be protected from moisture and dust.
  - Leave at least 2 cm of space around eStore and ensure good ventilation. The installation should avoid low temperatures during winter operation (charging) to ensure continuous operation.  
Avoid low temperatures during winter operation.
  - For safety reasons, note the location of existing wiring harnesses, wires and other components within the installation area, in particular those which are not visible, when installing the eStore (when drilling or screwing etc.).
  - If you install more than one eStore, leave at least 1 cm of space between the eStores.
- Select a suitable location and secure eStore safely.
- **Vertical mounting:** Use the integrated fixing feet to secure the eStore (fig. **11**, page 6).  
Suitable mounting brackets are available as accessories (see chapter “Accessories” on page 12).
- **Horizontal mounting:** Secure eStore with two straps or bands across the device (fig. **12**, page 7). Pass them between the handles and mounting feet and fix them to the mounting surface. This will ensure the eStore does not move when the vehicle is in motion.  
Suitable mounting brackets are available as accessories (see chapter “Accessories” on page 12).



## 8 Connecting eStore

### 8.1 Opening the cover of the pole

- ▶ Release the closure by gently pushing down the pin in the middle of the closure (fig. **3** 1, page 3).  
Take care not to push it through completely.
- ▶ Open the cover (fig. **3** 2, page 3).
- ▶ Remove the unlocked closure (fig. **3** 3, page 3).
- ▶ Note the positions of the closure (fig. **4** , page 4):
  - 1: unlocked
  - 2: ready (armed)
  - 3: locked

### 8.2 Closing the cover of the pole

- ▶ Slide back the pin of the closure.
- ▶ Put in the ready (armed) closure (fig. **5** 1, page 4).
- ▶ Close the cover (fig. **5** 2, page 4).
- ▶ Lock the closure by gently pushing down the pin in the middle of the closure (fig. **5** 3, page 4).  
Take care not to push it through completely.

### 8.3 Activating eStore



#### NOTE

eStore is supplied in a storage mode that reduces self-discharge during storage. To use eStore, you must activate it first.

- ▶ Open the cover of the pole (see chapter “Opening the cover of the pole” on page 17).
- ▶ Connect positive pole (fig. **2** 1, page 3) and negative pole (fig. **2** 2, page 3) with a low output current, 12 V  $\overline{=}$  battery or charger.
- ✓ The Status LED (fig. **1** 2, page 3) flashes yellow.
- ✓ eStore ist activated.

## 8.4 Connecting the power cable



### NOTICE!

- Only connect devices with a rated voltage of 12 V $\overline{=}$ .
- Pay attention to the correct polarity when connecting devices to eStore. Please refer to the respective manual.
- Make sure that the devices you want to connect are turned off.

- Turn off (open) the main switch of eStore one by pressing the main switch command (fig. **1** 1, page 3).
- Open the cover (see chapter "Opening the cover of the pole" on page 17).
- Connect the positive cable to the positive pole (fig. **2** 3, page 3).
- Tighten the terminal screw with a tightening torque of 13 to 15 Nm.
- Close the cover (see chapter "Closing the cover of the pole" on page 17).
- Open the cover of the negative pole (see chapter "Opening the cover of the pole" on page 17).
- Connect the negative cable to the negative pole (fig. **2** 1, page 3).
- Tighten the terminal screw with a tightening torque of 13 to 15 Nm.
- Close the cover of the negative pole (see chapter "Closing the cover of the pole" on page 17).
- Turn on (close) the main switch of the eStore by pressing the main switch command (fig. **1** 1, page 3).

## 8.5 Connecting consumers

- Turn off all devices, especially those that are connected with eStore.
- Turn off (open) the main switch of eStore one by pressing the main switch command (fig. **1** 1, page 3).
- Connect the 12 V $\overline{=}$  device to eStore.
- Turn on (close) the main switch of the eStore by pressing the main switch command (fig. **1** 1, page 3).
- Turn on the 12 V $\overline{=}$  device.

## 8.6 Connecting data cable

You can connect eStore for data communication as follows:

- to eCore via the CAN bus
- to PerfectCharge MCA charger via LIN/CI bus
- to PerfectCharge MCA charger via LIN/CI bus, through MPC01

Through the data link parameters such as voltage, temperature and charge level are monitored and displayed. For more details, please refer to the relevant operating instructions of the connected devices.

➤ Establish a data connection corresponding to your system configuration.

## 8.7 Connecting multiple eStores

Up to eight eStore can be connected in parallel to increase the total battery pack capacity to up to 800 Ah. The figure shows an example of the data connections for three connected eStores (fig. **6**, page 4).



### NOTE

- To connect multiple eStores, you need at least one BUS cable and the eStore configuration kit (see chapter “Accessories” on page 12).
- Connected eStores must be set with the eStore Configurator (see chapter “Connect BUS cable and configure” on page 20). If you only use a single eStore, no configuration is required. eStore is factory-adjusted to be used as a single battery.
- Make sure that all eStores are fully charged.

The first eStore serves as the master. It has the following functions:

- It controls the main switch of the other eStores (fig. **6**, page 4).
- It connects to the chargers via data links (CAN/LIN).

The other eStores are controlled as slaves by the master.

## Connect BUS cable and configure

For configuration you need a PC with a USB port and the eStore configurator.

Depending on the installation situation it may be useful to configure and tag each eStore before installation into the vehicle.

- Make sure that eStore is not in storage mode (status LED is blinking).
- Plug the USB cable from the PC into the USB port (fig. **1** 5, page 3) of the first (master) eStore.
- Configure the master, see chapter “Configuring connected eStores” on page 20.
- Attach the ID label (fig. **6** 6, page 4) on the master (fig. **6** 1, page 4).
- Disconnect the USB cable from the master.
- Plug the USB cable from the PC to the USB port of the first slave.
- Attach the ID label (fig. **6** 3, page 4) on the slave (fig. **6** 2, page 4).
- Configure the remaining slaves, if necessary.
- Connect the eStores with the BUS cables (fig. **6** 4, page 4).

## 8.8 Configuring connected eStores

- If necessary, install the ModbusReader “mbreader\_setup.exe” from the data CD to your PC.
- Copy the file “eStore\_Configuration\_utility\_FM739.mbc” of the data CD to the hard disk of the PC .
- Open the file “eStore\_Configuration\_utility\_FM739.mbc”.
- ✓ The eStore configurator opens (fig. **7** , page 5).
- Press **CTRL + F** or select in the menu “Connection” the command **Find COM** (fig. **8** 1, page 5).
- Select the new port number, in the example COM18 ( fig. **8** 2, page 5).
- Press **CTRL + P** or select in the menu “Connection” **COM Parameters** (fig. **8** 3, page 5).
- The window **COM Settings** opens.
- Choose from the list **Parity** (fig. **8** 4, page 5) the value **Even**.
- Click **OK** (fig. **8** 5, page 5).

- Enter in the field **Pack Address** the number of the eStore , e.g. "1" for the master (fig. **9** 1, page 5).
- Press "F2" or select in the menu "Connection" the command **Connect** (fig. **8** 6, page 5).
- Press the enter key.
- Enter in the field **Total Pack Number** the number of all eStores you want to connect , e.g. "3" if you want to connect three eStores (fig. **9** 2, page 5).
- Press the enter key.
- Enter in the field **Parallel Pack Number** the number of all eStores you want to connect , e.g. "3" if you want to connect three eStores (fig. **9** 3, page 5).  
**Note:** total pack number and parallel pack number must be the same.
- Press the enter key.
- Enter the password **3331** (fig. **9** 4, page 5).
- Press the enter key.
- Attach the ID label (fig. **9** 5, page 5).  
**Note:** The number of the last eStore must be identical to the total number of eStore.

## 9 Before initial use

**NOTE**

Make sure that the single or multiple eStores are fully charged after installation because a discharge may otherwise cause damage.

## 10 Using eStore

**NOTICE!**

Do not leave the eStore in a discharged state. If the main switch opens due to over discharge, recharge eStore as soon as possible (maximum 5 days). Failure to recharge will cause eStore to enter storage mode and may result in damage to the eStore.

**NOTE**

Observe the following notes to prolong the life of the eStore:

- Avoid discharging eStore to the point at which the main switch opens (see chapter “Operating voltages and main switch” on page 23).
- Avoid storing or operating eStore at extremely high or low temperatures.
- Avoid continuously high discharge (> 200 A).

## 10.1 Operating voltages and main switch

The eStore Battery Management System (BMS) assesses the state of each cell in the battery, deciding when to protect the battery by opening the main switch.

The Main Switch works as follows:

eStore state	Main Switch behavior
Discharging	<p>&lt; 30 A, 11 – 12 V: main switch opens</p> <p>&gt; 30 A, 10 – 11.8 V: main switch opens</p> <p>These are indicative values and are given as guidance only. The main switch opening voltage depends on internal parameters such as cell voltage and temperature, and discharge current. The indicated current values are valid per single eStore.</p>
Charging	<p>The main switch opening voltage depends on internal parameters such as cell voltage and temperature, and charge current. The maximum voltage above which the main switch opens is 15.2 V. Charging with the recommended charging parameters will ensure the main switch remains closed during normal operation.</p> <p>See chapter “Charging eStore” on page 23 for recommended charging parameters.</p>

## 10.2 Charging eStore



### NOTICE!

eStore can be charged with eCore or PerfectCharge MCA series chargers (choose power mode; see charger manual for appropriate DIP switch setting). Use of third party chargers is permitted. The main switch will remain closed when charging under normal conditions if the following charger parameters are met:

- end of charge voltage: between 13.8 V and 14.0 V
- maximum output 40 A (30 A recommend) per installed eStore



### NOTE

Please also refer to the manual of the charger.

## 10.3 Changing the fuse



### NOTE

Use a maximum 250 A fuse with 50.8 mm hole center distance.

Proceed as follows to replace the fuse:

- Open the cover of the positive pole (see chapter "Opening the cover of the pole" on page 17).
- Remove the nuts and washers from the fuse (fig. **10** 1, page 6).
- Replace the fuse (fig. **10** 2, page 6).
- Fix the new fuse with the nuts and washers (fig. **10** 1, page 6). Tighten the nuts between 13 and 15 Nm.
- Close the cover of the positive pole (see chapter "Closing the cover of the pole" on page 17).

## 10.4 Storing eStore



### NOTE

- Store eStore in a cool dry place.
- Avoid storage in permanent high temperatures. This shortens the service life.
- Recharge eStore every 3 months.
- For long storage (e.g. RV winter break):
  - remove all loads
  - charge eStore
  - open the main switch

This will avoid over discharge and potential damage to eStore.

## 11 Cleaning eStore



### NOTICE!

Do not use sharp or hard objects or cleaning agents for cleaning as these may damage the product.

- Occasionally clean the product with a damp cloth.



## 12 Troubleshooting

Problem	Cause	Remedy
No voltage at the battery terminals.	The main switch is turned off (open).	➤ Turn on (close) the main switch.
	The fuse is defective.	➤ Replace the fuse (see chapter "Changing the fuse" on page 23).
	eStore is in storage mode.	➤ Activate eStore.
	eStore is not configured correctly.	➤ Configure eStore.
	eStore is over discharged.	➤ Charge eStore with a charging current of < 10 A. <b>Note:</b> Do not use intelligent charging systems (with main switch open, the eStore terminals have no voltage. Some intelligent battery chargers do not start if no voltage is present). ➤ Contact an authorised workshop.
	eStore is defective.	➤ Contact an authorised workshop.
Status LED does not flash.	eStore is in storage mode.	➤ Activate eStore.
	eStore is severely over discharged.	➤ Charge eStore with a charging current of < 10 A. <b>Note:</b> Do not use intelligent charging systems (with main switch open, the eStore terminals have no voltage. Some intelligent battery chargers do not start if no voltage is present). ➤ Contact an authorised workshop.
	eStore is defective.	➤ Contact an authorised workshop.

Problem	Cause	Remedy
Status LED flashes red.	eStore is configured to be connected to multiple eStores and BUS cables are not plugged in.	<ul style="list-style-type: none"> <li>➤ Plug in eStore cables.</li> </ul>
	eStore is over discharged.	<ul style="list-style-type: none"> <li>➤ Charge eStore.</li> </ul>
	eStore is over charged	<ul style="list-style-type: none"> <li>➤ Disconnect chargers from eStore.</li> <li>➤ Check the charging voltage of battery chargers.</li> </ul>
	eStore ist defective.	<ul style="list-style-type: none"> <li>➤ Contact an authorised workshop.</li> </ul>
eStore does not respond to pressing of the main switch command.	eStore is in storage mode.	<ul style="list-style-type: none"> <li>➤ Activate eStore.</li> </ul>
	eStore is over discharged.	<ul style="list-style-type: none"> <li>➤ Charge eStore with a charging current of &lt; 10 A.  <b>Note:</b> Do not use intelligent charging systems (with main switch open, the eStore terminals have no voltage. Some intelligent battery chargers do not start if no voltage is present).</li> <li>➤ Contact an authorised workshop.</li> </ul>
	eStore is configured as slave and not as master.	<ul style="list-style-type: none"> <li>➤ Use main switch command on master eStore (eStore configured #1)</li> </ul>
	Configuration for connecting multiple eStores is faulty.	<ul style="list-style-type: none"> <li>➤ Check the configuration.</li> </ul>
	eStore is defective.	<ul style="list-style-type: none"> <li>➤ Contact an authorised workshop.</li> </ul>

<b>Problem</b>	<b>Cause</b>	<b>Remedy</b>
Main switch turns on (closes) but turns off (opens) again immediately.	eStore is over discharged.	➤ Charge eStore.
	eStore is over charged	➤ Disconnect chargers from eStore. ➤ Check the charging voltage of battery chargers.
	Charge current is too high.	➤ Reduce charge current .
	Discharge current is too high.	➤ Reduce the load. ➤ Check the temperature of the eStore. ➤ Charge eStore.
	eStore is defective.	➤ Contact an authorised workshop.
“Warning eStore” appears on eCore control panel.	eStore temperature is too low for charging.	➤ Check charger status LED. ➤ Check eStore Temperature. ➤ Heat eStore storage area.
	eStore temperature is too high for charging.	➤ Check charger status LED. ➤ Check eStore Temperature. ➤ Heat eStore storage area.

## 13 Warranty

The statutory warranty period applies. If the product is defective, please contact the manufacturer's branch in your country (see the back of the instruction manual for the addresses) or your retailer.

For repair and guarantee processing, please include the following documents when you send in the device:

- A copy of the receipt with purchasing date
- A reason for the claim or description of the fault

## 14 Disposal

- Place the packaging material in the appropriate recycling waste bins wherever possible.




If you wish to finally dispose of the product, ask your local recycling centre or specialist dealer for details about how to do this in accordance with the applicable disposal regulations.



### **Protect the environment!**

Do not dispose of any batteries with general household waste. Return defective or used batteries to your retailer or dispose of them at collection points.

# 15 Technical data

	<b>eStore</b>
Item No.:	9102900224
Rated voltage:	13.2 V $\text{---}$
Operating temperature range (for discharging):	-30 °C (with reduced performance) to +55 °C
Temperature range for charging with eCore: with other chargers:	-10 °C to +55 °C 0 °C to +40 °C
Rated capacity:	100 Ah
Dimensions L x W x H:	315 x 160 x 285 mm
Weight:	17 kg
Inspection/Certification:	
	IEC 62133 UN 38.3 UN 3480

**Bitte lesen Sie diese Anleitung vor Einbau und Inbetriebnahme sorgfältig durch und bewahren Sie sie auf. Geben Sie sie im Falle einer Weitergabe des Produktes an den Nutzer weiter.**

## Inhaltsverzeichnis

1	Erklärung der Symbole . . . . .	31
2	Allgemeine Sicherheitshinweise . . . . .	32
3	Lieferumfang . . . . .	33
4	Zubehör . . . . .	34
5	Bestimmungsgemäßer Gebrauch . . . . .	35
6	Technische Beschreibung . . . . .	36
7	eStore befestigen . . . . .	38
8	eStore anschließen . . . . .	39
9	Vor dem ersten Gebrauch . . . . .	45
10	eStore benutzen . . . . .	45
11	eStore reinigen . . . . .	48
12	Störungen beseitigen . . . . .	49
13	Gewährleistung . . . . .	51
14	Entsorgung . . . . .	52
15	Technische Daten . . . . .	52

# 1 Erklärung der Symbole

**GEFAHR!**

**Sicherheitshinweis:** Nichtbeachtung führt zu Tod oder schwerer Verletzung.

**WARNUNG!**

**Sicherheitshinweis:** Nichtbeachtung kann zu Tod oder schwerer Verletzung führen.

**VORSICHT!**

**Sicherheitshinweis:** Nichtbeachtung kann zu Verletzungen führen.

**ACHTUNG!**

Nichtbeachtung kann zu Materialschäden führen und die Funktion des Produktes beeinträchtigen.

**HINWEIS**

Ergänzende Informationen zur Bedienung des Produktes.

## 2 Allgemeine Sicherheitshinweise

Der Hersteller übernimmt in folgenden Fällen keine Haftung für Schäden:

- Beschädigungen am Produkt durch mechanische Einflüsse und Überspannungen und Überstrom
- Veränderungen am Produkt ohne ausdrückliche Genehmigung vom Hersteller
- Verwendung für andere als die in der Anleitung beschriebenen Zwecke

Beachten Sie folgende grundsätzliche Sicherheitsmaßnahmen beim Gebrauch von elektrischen Geräten zum Schutz vor:

- elektrischem Schlag
- Brandgefahr
- Verletzungen

### 2.1 Grundlegende Sicherheit



#### **GEFAHR!**

- Verwenden Sie im Falle eines Feuers einen Feuerlöscher, der für elektrische Geräte geeignet ist.



#### **WARNUNG!**

- Wenn das Gerät oder das Anschlusskabel sichtbare Beschädigungen aufweisen, dürfen Sie das Gerät nicht in Betrieb nehmen.
- Reparaturen an diesem Gerät dürfen nur von Fachkräften durchgeführt werden. Durch unsachgemäße Reparaturen können erhebliche Gefahren entstehen.
- Personen (einschließlich Kinder), die aufgrund ihrer physischen, sensorischen oder geistigen Fähigkeiten oder ihrer Unerfahrenheit oder Unkenntnis nicht in der Lage sind, das Gerät sicher zu benutzen, sollten dieses Gerät nicht ohne Aufsicht oder Anweisung durch eine verantwortliche Person nutzen.
- **Elektrogeräte sind kein Kinderspielzeug!**  
Verwahren und benutzen Sie das Gerät außerhalb der Reichweite von Kindern.
- Kinder sollten beaufsichtigt werden, um sicherzustellen, dass sie nicht mit dem Gerät spielen.



#### **ACHTUNG!**

- Vergleichen Sie vor der Inbetriebnahme die Spannungsangabe auf dem Typenschild mit der vorhandenen Energieversorgung.



- Achten Sie darauf, dass andere Gegenstände **keinen** Kurzschluss an den Kontakten des Gerätes verursachen.
- Achten Sie darauf, dass sich **nie** die positive und die negative Klemme berühren.
- Müssen Leitungen durch scharfkantige Wände geführt werden, so verwenden Sie Leerrohre bzw. Leitungsdurchführungen.
- Verlegen Sie keine losen oder scharf abgeknickten Leitungen an elektrisch leitenden Materialien (Metall).

## 2.2 Sicherheit beim Betrieb des Gerätes



### **GEFAHR! Lebensgefahr durch Stromschlag!**

- Fassen Sie nie mit bloßen Händen an blanke Leitungen. Dies gilt vor allem für Geräte am Wechselstromnetz.



### **WARNUNG!**

- Benutzen Sie das Gerät ausschließlich in geschlossenen, gut belüfteten Räumen.



### **VORSICHT!**

- Betreiben Sie das Gerät **nicht**
  - in salzhaltiger, feuchter oder nasser Umgebung
  - in der Nähe von aggressiven Dämpfen
  - in der Nähe brennbarer Materialien
  - in explosionsgefährdeten Bereichen
- Ziehen Sie nicht an Leitungen.

## 3 Lieferumfang

- eStore Batterie
- Einbau- und Bedienungsanleitung

## 4 Zubehör

Als Zubehör und Ersatzteile erhältlich (nicht im Lieferumfang enthalten):

Teilebezeichnung	Artikelnummer
eStore-BUS-Kabel Kit RJ11 und eStore ID-Aufkleber Für den Anschluss zwischen mehreren eStores, wenn der eStore-Bus benutzt wird	9102900279
eStore-Konfigurationskit USB-Kabel und Daten-CD Für die Einrichtung mehrerer eStores – nur Installer	9102900281
eStore-eCore-BUS-Kabel Kit CAT5-LAN-Kabel, RJ45 Für den Anschluss zwischen eStore und eCore	9102900280
eStore-MPC01-BUS-Kabel Für den Anschluss zwischen eStore und MPC01	9102200197
eStore-MCA-BUS-Kabel Für den Anschluss zwischen eStore und MCA-Ladern, wenn kein MPC01 benutzt wird	9103530048
Ersatzsicherung 250 A Littelfuse Mega-Baureihe, Lochabstand 50,8 mm	9102900282
Satz eStore-Haltebügel – senkrecht Zur senkrechten Montage von eStore	9102900289
Satz eStore-Haltebügel – waagrecht Zur waagerechten Montage von eStore	9102900290

## 5 Bestimmungsgemäßer Gebrauch

eStore dient als Spannungsquelle von 12 V in Stromanlagen von Wohnwagen, Wohnmobilen, gewerblichen Fahrzeugen und stationären Anwendungen. eCore darf nicht für medizinische Zwecke verwendet werden.

In Verbindung mit einem Wechselrichter, z. B. eCore, können auch Geräte mit 230 V $\sim$  versorgt werden.

Eine Verwendung als Starterbatterie ist nicht möglich. eStore darf nicht direkt mit der Starterbatterie verbunden werden. Durch eine Parallelschaltung von mehreren eStore-Batterien kann der verfügbare Strom ausreichen, um die Starterbatterie zu unterstützen. Bis zu acht eStores können parallel miteinander verbunden werden, um die installierte Gesamtkapazität auf bis zu 800 Ah zu erhöhen.

eStore kann mit den eingebauten Haltegriffen transportiert werden.

## 6 Technische Beschreibung

### 6.1 Allgemeine Beschreibung

eStore ist eine wartungsfreie Lithium-Ionen-Batterie für 12-V-Systeme zur Spannungsversorgung. eStore verfügt über einen internen Hauptschalter und eine interne 250-A-Sicherung.

In Verbindung mit einem Batteriemanagementsystem bietet eStore folgende Funktionen:

- Batteriezellenüberwachung
- Batteriespannungsüberwachung
- Batteriezellentemperatur-Überwachung durch integrierte Temperaturfühler
- Kommunikation zwischen mehreren eStore-Batterien

eStore kann mit Ladegeräten wie eCore oder der PerfectCharge MCA-Serie geladen werden. Die Verwendung von Ladegeräten von Fremdherstellern ist zulässig. Um sicherzustellen, dass der interne Hauptschalter während des Ladens unter normalen Bedingungen geschlossen bleibt, sollte der Lader folgende Anforderungen erfüllen:

1. Ladeendspannung: zwischen 13,8 V und 14,0 V
2. maximale Ausgangsleistung: 40 A pro angeschlossenem eStore (30 A empfohlen)

Um die Gesamtkapazität zu erhöhen, können bis zu 8 eStores parallel geschaltet werden. Der gemeinsame maximale Ausgangsstrom darf 250 A nicht überschreiten.



#### HINWEIS

Ein eStore kann für kurze Zeit Strom von 250 A bereitstellen. Der Dauerstrom sollte 200 A nicht überschreiten. Ein dauerhafter Entladestrom von mehr als 200 A aus einem eStore kann zu einer kürzeren Lebensdauer führen. Verwenden Sie zwei oder mehr eStores, wenn dauerhaft Strom von über 200 A erforderlich ist.

## 6.2 Anzeige- und Bedienelemente

Pos. in Abb. <b>1</b> , Seite 3	Bezeichnung	Erklärung
1	Hauptschalter	aktiviert (schließt) und deaktiviert (öffnet) den internen Hauptschalter
2	Status-LED	aus: Batteriemanagementsystem ist abgeschaltet wegen aktiviertem Lagermodus oder übermäßiger Entladung
		blinkt grün: Batteriemanagementsystem aktiv, Hauptschalter ist aktiviert oder eingeschaltet (geschlossen)
		blinkt gelb: Batteriemanagementsystem aktiv, Hauptschalter deaktiviert oder ausgeschaltet (geöffnet)
		blinkt rot: Funktionsstörung
3	eStore-BUS-Schnittstelle	
4	LIN-Schnittstelle für die Verbindung zu PerfectCharge MCA-Ladern und MPC01	
5	USB-Schnittstelle zur Konfiguration	
6	CAN-Bus-Schnittstelle	

## 6.3 Sicherung und Anschlüsse

Pos. in Abb. <b>2</b> , Seite 3	Bezeichnung	Erklärung
1	Minuspol	M8-Klemme für Ladegeräte und Verbraucher
2	Interne Sicherung	250 A – Befestigungsbohrungen mit Standardlochabstand 50,8 mm
3	Pluspol	M8-Klemme für Ladegeräte und Verbraucher

## 7 eStore befestigen



### WARNUNG!

eStore darf nicht mit Gurten o. ä. über der Kunststoffabdeckung gesichert werden, da dies eStore beschädigt.



### HINWEIS

Beachten Sie beim Einsatz von mehreren verbundenen eStores: Konfigurieren und markieren Sie die eStores vor dem Einbau in das Fahrzeug, siehe Kapitel „Mehrere eStores verbinden“ auf Seite 42.

### Beachten Sie folgende Hinweise zum Einbauort

- eStore kann senkrecht (Abb. **11**, Seite 6) oder waagrecht (Abb. **12**, Seite 7) auf einer ebenen und stabilen Fläche montiert werden.
  - eStore darf nicht in der Nähe von brennbaren Materialien eingebaut werden.
  - Der Einbauort sollte vor Feuchtigkeit und Staub geschützt werden.
  - Lassen Sie mindestens 2 cm freien Platz um eStore und sorgen Sie für eine gute Belüftung. Der Einbau sollte niedrige Temperaturen im Winterbetrieb (Laden) verhindern, um Dauerbetrieb zu gewährleisten.
  - Achten Sie aus Sicherheitsgründen beim Einbau (beim Bohren und Schrauben usw.) auf den Verlauf von vorhandenen, insbesondere nicht sichtbaren Kabelsträngen, Leitungen und anderen Komponenten, die sich im Montagebereich befinden.
  - Wenn Sie mehr als einen eStore installieren, lassen Sie mindestens 1 cm Platz zwischen den eStores.
- Wählen Sie einen geeigneten Einbauort aus und befestigen Sie eStore dort sicher.
- **Senkrechte Montage:** Verwenden Sie die integrierten BefestigungsfüÙe (Abb. **11**, Seite 6).  
Passende Haltebügel sind als Zubehör erhältlich (siehe Kapitel „Zubehör“ auf Seite 34).

- **Waagerechte Montage:** Sichern Sie eStore mit zwei Gurten oder Bändern über das Gerät (Abb. **12**, Seite 7). Führen Sie diese zwischen den Griffen und Befestigungsfüßen und befestigen Sie sie an der Montagefläche. Dadurch wird sichergestellt, dass eStore sich nicht bewegt, wenn das Fahrzeug in Bewegung ist.  
Passende Haltebügel sind als Zubehör erhältlich (siehe Kapitel „Zubehör“ auf Seite 34).

## 8 eStore anschließen

### 8.1 Abdeckung des Pols öffnen

- Entriegeln Sie den Verschluss, indem Sie den Stift in der Mitte des Verschlusses leicht herunterdrücken (Abb. **3** 1, Seite 3).  
Achten Sie darauf, ihn nicht vollständig durchzudrücken.
- Öffnen Sie die Abdeckklappe (Abb. **3** 2, Seite 3).
- Entfernen Sie den entriegelten Verschluss (Abb. **3** 3, Seite 3).
- Beachten Sie die Positionen des Verschlusses (Abb. **4**, Seite 4):
  - 1: entriegelt
  - 2: einsatzbereit
  - 3: verriegelt

### 8.2 Abdeckung des Pols schließen

- Schieben Sie den Stift des Verschlusses zurück.
- Setzen Sie den einsatzbereiten Verschluss ein (Abb. **5** 1, Seite 4).
- Schließen Sie die Abdeckklappe (Abb. **5** 2, Seite 4).
- Verriegeln Sie den Verschluss, indem Sie den Stift in der Mitte der Abdeckklappe leicht herunter drücken (Abb. **5** 3, Seite 4).  
Achten Sie darauf, ihn nicht vollständig durchzudrücken.

### 8.3 eStore aktivieren



#### HINWEIS

eStore wird im Lagermodus geliefert, der eine Selbstentladung während des Lagerns vermindert. Um eStore zu benutzen, müssen Sie eStore zunächst aktivieren.

- Öffnen Sie die Polabdeckung (siehe Kapitel „Abdeckung des Pols öffnen“ auf Seite 39).
- Verbinden Sie Pluspol (Abb. **2** 1, Seite 3) und Minuspol (Abb. **2** 2, Seite 3) mit einer Niedrigstrom-12-V-Batterie oder einem Ladegerät.
- ✓ Die Status-LED (Abb. **1** 2, Seite 3) blinkt gelb.
- ✓ eStore ist aktiviert.

### 8.4 Anschlusskabel anschließen



#### ACHTUNG!

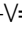
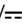
- Schließen Sie nur Geräte mit einer Nennspannung von 12 V an.
- Achten Sie auf die richtige Polarität, wenn Sie Geräte an eStore anschließen. Beachten Sie hierzu auch die jeweilige Bedienungsanleitung.
- Stellen Sie sicher, dass die Geräte, die Sie anschließen wollen, ausgeschaltet sind.

- Schalten (öffnen) Sie den Hauptschalter des eStore ein, indem Sie den Hauptschalter drücken (Abb. **1** 1, Seite 3).
- Öffnen Sie die Abdeckklappe (Kapitel „Abdeckung des Pols öffnen“ auf Seite 39).
- Verbinden Sie das Pluskabel mit dem Pluspol (Abb. **2** 3, Seite 3).
- Ziehen Sie die Polschraube mit einem Anzugsdrehmoment von 13 – 15 Nm an.
- Schließen Sie die Abdeckklappe (Kapitel „Abdeckung des Pols schließen“ auf Seite 39).
- Öffnen Sie die Abdeckklappe des Minuspols (Kapitel „Abdeckung des Pols öffnen“ auf Seite 39).
- Verbinden Sie das Minuskabel mit dem Minuspol (Abb. **2** 1, Seite 3).
- Ziehen Sie die Polschraube mit einem Anzugsdrehmoment von 13 – 15 Nm an.



- Schließen Sie die Abdeckklappe des Minuspols (Kapitel „Abdeckung des Pols schließen“ auf Seite 39).
- Schalten (schließen) Sie den Hauptschalter des eStore aus, indem Sie den Hauptschalter drücken (Abb. **1** 1, Seite 3).

## 8.5 Verbraucher anschließen

- Schalten Sie alle Geräte, insbesondere die, die mit eStore verbunden sind, ab.
- Schalten (öffnen) Sie den Hauptschalter des eStore ein, indem Sie den Hauptschalter drücken (Abb. **1** 1, Seite 3).
- Schließen Sie das 12-V--Gerät an eStore an.
- Schalten (schließen) Sie den Hauptschalter des eStore aus, indem Sie den Hauptschalter drücken (Abb. **1** 1, Seite 3).
- Schalten Sie das 12-V--Gerät ein.

## 8.6 Datenkabel anschließen

eStore können Sie zur Datenkommunikation wie folgt verbinden:

- an eCore über den CAN-Bus
- an einen PerfectCharge MCA-Lader über LIN-/CI-Bus
- an einen PerfectCharge MCA-Lader über LIN-/CI-Bus über MPC01

Durch die Datenverbindung können Parameter wie Spannung, Temperatur und Ladezustand kontrolliert und angezeigt werden. Weitere Details entnehmen Sie bitte den entsprechenden Bedienungsanleitungen der Geräte.

- Stellen Sie die Datenverbindung entsprechend Ihrer Gerätekonfiguration her.

## 8.7 Mehrere eStores verbinden

Bis zu acht eStores können parallel miteinander verbunden werden, um die Gesamtkapazität auf bis zu 800 Ah zu erhöhen. Die Abbildung zeigt eine Datenverbindung von drei verbundenen eStores (Abb. **6**, Seite 4).



### HINWEIS

- Um mehrere eStores miteinander zu verbinden, benötigen Sie mindestens ein BUS-Kabel und das eStore-Konfigurationskit (siehe Kapitel „Zubehör“ auf Seite 34).
- Miteinander verbundene eStores müssen mit dem eStore-Konfigurator eingestellt werden (Kapitel „BUS-Kabel verbinden und konfigurieren“ auf Seite 43). Wenn Sie nur einen einzelnen eStore verwenden, brauchen Sie nichts einzustellen. eStore ist werkseitig auf die Verwendung als Einzelbatterie voreingestellt.
- Stellen Sie sicher, dass alle eStores nach dem Installieren vollständig geladen sind.

Der erste eStore dient als Master. Er erfüllt folgende Funktionen:

- Er steuert die Hauptschalter der anderen eStores (Abb. **6**, Seite 4).
- Er verbindet die Ladegeräte über CAN/LIN.

Die übrigen eStores werden als Slaves vom Master gesteuert.

## BUS-Kabel verbinden und konfigurieren

Zur Konfiguration benötigen Sie einen PC mit USB-Anschluss und dem eStore-Konfigurator.

Je nach Einbau-Situation ist es sinnvoll, die eStores vor dem Einbau ins Fahrzeug zu konfigurieren und zu kennzeichnen.

- Stellen Sie sicher, dass eStore sich nicht im Speichermodus befindet (Status-LED blinkt).
- Stecken Sie das USB-Kabel vom PC in die USB-Schnittstelle (Abb. **1** 5, Seite 3) des ersten eStore (Master).
- Konfigurieren Sie den Master, siehe Kapitel „Verbundene eStores konfigurieren“ auf Seite 43.
- Bringen Sie den ID-Aufkleber (Abb. **6** 6, Seite 4) am Master (Abb. **6** 1, Seite 4) an.
- Ziehen Sie das USB-Kabel vom Master ab.
- Stecken Sie das USB-Kabel vom PC in die USB-Schnittstelle des ersten Slave.
- Bringen Sie die ID-Aufkleber (Abb. **6** 3, Seite 4) am Slave (Abb. **6** 2, Seite 4) an.
- Konfigurieren Sie gegebenenfalls die restlichen Slaves.
- Verbinden Sie die eStores mit den BUS-Kabeln (Abb. **6** 4, Seite 4).

## 8.8 Verbundene eStores konfigurieren

- Installieren Sie gegebenenfalls den ModbusReader „mbreader\_setup.exe“ von der Daten-CD auf den PC.
- Kopieren Sie die Datei „eStore\_Configuration\_utility\_FM739.mbc“ von der Daten-CD auf die Festplatte des PCs.
- Öffnen Sie die Datei „eStore\_Configuration\_utility\_FM739.mbc“.
- ✓ Der eStore-Konfigurator öffnet sich (Abb. **7**, Seite 5).
- Drücken Sie **STRG + F** oder wählen Sie im Menü „Connection“ den Befehl **Find COM** (Abb. **8** 1, Seite 5).
- Wählen Sie die neue Port-Nummer, im Beispiel COM18 (Abb. **8** 2, Seite 5).
- Drücken Sie **STRG + P** oder wählen Sie im Menü „Connection“ **COM Parameters** (Abb. **8** 3, Seite 5).

- Das Fenster **COM Settings** öffnet sich.
- Wählen Sie aus der Auswahlliste **Parity** (Abb. **8** 4, Seite 5) den Wert **Even** aus.
- Klicken Sie **OK** (Abb. **8** 5, Seite 5).
- Geben Sie im Feld **Pack Address** die Nummer des eStore ein, z. B. „1“ für den Master (Abb. **9** 1, Seite 5).
- Drücken Sie "F2" oder wählen Sie im Menü "Connection" den Befehl **Connect** (Abb. **8** 6, Seite 5).
- Drücken Sie die Enter-Taste.
- Geben Sie im Feld **Total Pack Number** die Anzahl aller eStore ein, z. B. „3“, wenn Sie insgesamt drei Geräte anschließen wollen (Abb. **9** 2, Seite 5).
- Drücken Sie die Enter-Taste.
- Geben Sie im Feld **Parallel Pack Number** die Anzahl aller eStore ein, z. B. „3“, wenn Sie insgesamt drei Geräte anschließen wollen (Abb. **9** 3, Seite 5).  
**Hinweis:** Total Pack Number und Parallel Pack Number müssen identisch sein.
- Drücken Sie die Enter-Taste.
- Geben Sie das Passwort **3331** ein (Abb. **9** 4, Seite 5).
- Drücken Sie die Enter-Taste.
- Bringen Sie den ID-Aufkleber an (Abb. **9** 5, Seite 5).  
**Hinweis:** Die Nummer des letzten eStore muss mit der Gesamtanzahl der eStores identisch sein.

## 9 Vor dem ersten Gebrauch



### HINWEIS

Stellen Sie sicher, dass der einzelne oder mehrere eStores nach dem Installieren komplett geladen sind, da ein Entladen ansonsten Schäden verursachen kann.

## 10 eStore benutzen



### ACHTUNG!

Belassen Sie eStore nicht im entladenen Zustand.

Falls der Hauptschalter wegen übermäßiger Entladung öffnet, laden Sie eStore möglichst schnell wieder auf (maximal 5 Tage). Andernfalls schaltet eStore in den Lagermodus und kann beschädigt werden.



### HINWEIS

Beachten Sie folgende Hinweise, um die Lebensdauer des eStore zu verlängern:

- Vermeiden Sie eine so tiefe Entladung, dass der Hauptschalter öffnet (siehe Kapitel „Betriebsspannungen und Hauptschalter“ auf Seite 46).
- Vermeiden Sie während des Ladevorgangs oder der Lagerung extrem hohe oder niedrige Temperaturen.
- Vermeiden sie eine dauerhaft hohe Entladung (> 200 A).

## 10.1 Betriebsspannungen und Hauptschalter

Das eStore-Batteriemanagementsystem (BMS) bewertet den Zustand jeder einzelnen Zelle der Batterie, um festzulegen, wann die Batterie durch Öffnen des Hauptschalters geschützt werden soll.

Der Hauptschalter arbeitet wie folgt:

eStore-Zustand	Hauptschalter-Verhalten
Entladung	<p>&lt; 30 A, 11 – 12 V: Hauptschalter öffnet</p> <p>&gt; 30 A, 10 – 11,8 V: main switch öffnet</p> <p>Dies sind Richtwerte und werden nur zur Orientierung genannt. Die Öffnungsspannung des Hauptschalters hängt von internen Parametern ab wie Zellspannung und -temperatur sowie dem Entladestrom. Die angegebenen Stromwerte gelten pro einzelner eStore.</p>
Ladung	<p>Die Öffnungsspannung des Hauptschalters hängt von internen Parametern ab wie Zellspannung und -temperatur sowie dem Ladestrom. Die maximale Spannung, bevor der Hauptschalter öffnet, beträgt 15,2 V. Laden mit den empfohlenen Ladeparametern im normalen Betrieb gewährleistet, dass der Hauptschalter geschlossen bleibt.</p> <p>Siehe Kapitel „eStore laden“ auf Seite 47 für die empfohlenen Ladeparameter.</p>

## 10.2 eStore laden



### ACHTUNG!

eStore kann mit Ladegeräten wie eCore oder den PerfectCharge MCA-Ladern (wählen Sie den Power Mode; siehe Bedienungsanleitung des Laders für die entsprechende DIP-Schalter-Stellung) geladen werden. Die Verwendung von Ladegeräten von Fremdherstellern ist zulässig. Der Hauptschalter bleibt beim Laden unter normalen Bedingungen geschlossen, wenn die folgenden Laderparameter erfüllt sind:

- Ladeendspannung: zwischen 13,8 V und 14,0 V
- maximale Ausgangsleistung 40 A (30 A empfohlen)



### HINWEIS

Beachten Sie auch die Bedienungsanleitung des verwendeten Ladegeräts.

## 10.3 Sicherung austauschen



### HINWEIS

Verwenden Sie maximal eine 250 A Sicherung mit 50,8 mm Lochabstand.

Gehen Sie wie folgt vor, um die Sicherung auszutauschen:

- Öffnen Sie die Abdeckung des Pluspols (Kapitel „Abdeckung des Pols öffnen“ auf Seite 39).
- Entfernen Sie die Muttern und die Unterlegscheiben der Sicherung (Abb. **10** 1, Seite 6).
- Ersetzen Sie die Sicherung (Abb. **10** 2, Seite 6).
- Befestigen Sie die neue Sicherung mit den Muttern und Unterlegscheiben (Abb. **10** 1, Seite 6). Ziehen Sie die Muttern zwischen 13 und 15 Nm an.
- Schließen Sie die Abdeckklappe des Pluspols (Kapitel „Abdeckung des Pols schließen“ auf Seite 39).

## 10.4 eStore lagern



### HINWEIS

- Lagern Sie eStore an einem kühlen, trockenen Ort.
- Vermeiden Sie die Lagerung bei dauerhaft hohen Temperaturen. Dies verkürzt die Lebensdauer.
- Laden Sie eStore alle 3 Monate auf.
- Für eine längere Lagerung (z. B. Fahrzeug-Winterpause):
  - Entfernen Sie alle Verbraucher.
  - Laden Sie eStore auf.
  - Öffnen Sie den Hauptschalter.

Dies verhindert eine übermäßige Entladung und die Beschädigung von eStore.

## 11 eStore reinigen



### ACHTUNG!

Keine scharfen oder harten Gegenstände oder Reinigungsmittel zur Reinigung verwenden, da dies zu einer Beschädigung des Produktes führen kann.

- Reinigen Sie das Produkt gelegentlich mit einem feuchten Tuch.



## 12 Störungen beseitigen

Störung	Ursache	Behebung
An den Batterieklemmen liegt keine Spannung an.	Der Hauptschalter ist ausgeschaltet (geöffnet).	➤ Schalten (schließen) Sie den Hauptschalter ein.
	Die Sicherung ist defekt.	➤ Ersetzen Sie die Sicherung (siehe Kapitel „Sicherung austauschen“ auf Seite 47).
	eStore ist im Speichermodus.	➤ Aktivieren Sie eStore.
	eStore ist nicht korrekt konfiguriert.	➤ Konfigurieren Sie eStore.
	eStore ist tiefentladen.	➤ Laden Sie eStore mit einem Ladestrom von < 10 A auf. <b>Hinweis:</b> Verwenden Sie keine intelligenten Ladesysteme (mit eingeschaltetem Hauptschalter liegt an den Klemmen keine Spannung an. Intelligente Batterielader starten nicht, wenn keine Spannung vorhanden ist). ➤ Wenden Sie sich an einen autorisierten Fachhändler.
Die Status-LED blinkt nicht.	eStore ist im Speichermodus.	➤ Aktivieren Sie eStore.
	eStore ist stark tiefentladen.	➤ Laden Sie eStore mit einem Ladestrom von < 10 A auf. <b>Hinweis:</b> Verwenden Sie keine intelligenten Ladesysteme (mit eingeschaltetem Hauptschalter liegt an den Klemmen keine Spannung an. Intelligente Batterielader starten nicht, wenn keine Spannung vorhanden ist). ➤ Wenden Sie sich an einen autorisierten Fachhändler.
	eStore ist defekt.	➤ Wenden Sie sich an einen autorisierten Fachhändler.

Störung	Ursache	Behebung
Status-LED blinkt rot.	eStore ist für das Anschließen mehrerer eStores konfiguriert und die BUS-Kabel sind nicht eingesteckt.	<ul style="list-style-type: none"> <li>➤ Stecken Sie die eStore-Kabel ein.</li> </ul>
	eStore ist tiefentladen.	<ul style="list-style-type: none"> <li>➤ Laden Sie eStore.</li> </ul>
	eStore ist überladen.	<ul style="list-style-type: none"> <li>➤ Trennen Sie die Ladegeräte von eStore.</li> <li>➤ Prüfen Sie die Ladespannung der Batterielader.</li> </ul>
	eStore ist defekt.	<ul style="list-style-type: none"> <li>➤ Wenden Sie sich an einen autorisierten Fachhändler.</li> </ul>
eStore reagiert nicht auf das Einschalten des Hauptschalters.	eStore ist im Speichermodus.	<ul style="list-style-type: none"> <li>➤ Aktivieren Sie eStore.</li> </ul>
	eStore4 ist tiefentladen.	<ul style="list-style-type: none"> <li>➤ Laden Sie eStore mit einem Ladestrom von &lt; 10 A auf. <b>Hinweis:</b> Verwenden Sie keine intelligenten Ladesysteme (mit eingeschaltetem Hauptschalter liegt an den Klemmen keine Spannung an. Intelligente Batterielader starten nicht, wenn keine Spannung vorhanden ist).</li> <li>➤ Wenden Sie sich an einen autorisierten Fachhändler.</li> </ul>
	eStore ist als Slave und nicht als Master konfiguriert.	<ul style="list-style-type: none"> <li>➤ Verwenden Sie den Hauptschalter des eStore-Master (eStore konfiguriert als #1)</li> </ul>
	Konfiguration zum Anschließen mehrerer eStores ist fehlerhaft.	<ul style="list-style-type: none"> <li>➤ Überprüfen Sie die Konfiguration.</li> </ul>
	eStore ist defekt.	<ul style="list-style-type: none"> <li>➤ Wenden Sie sich an einen autorisierten Fachhändler.</li> </ul>

Störung	Ursache	Behebung
Hauptschalter schaltet ein (schließt sich) und schaltet (öffnet) sofort wieder aus.	eStore ist tiefentladen.	➤ Laden Sie eStore.
	eStore ist überladen.	➤ Trennen Sie die Ladegeräte von eStore. ➤ Prüfen Sie die Ladespannung der Batterielader.
	Ladestrom ist zu hoch.	➤ Reduzieren Sie den Ladestrom.
	Entladestrom ist zu hoch.	➤ Reduzieren Sie die Last. ➤ Überprüfen Sie die Temperatur des eStore. ➤ Laden Sie eStore.
	eStore ist schadhaft.	➤ Wenden Sie sich an einen autorisierten Fachhändler.
„Warning eStore“ erscheint auf dem Bedienfeld von eCore.	eStore-Temperatur ist zu niedrig.	➤ Prüfen Sie die Status-LED des Ladegeräts. ➤ Prüfen Sie die eStore-Temperatur. ➤ Erwärmen Sie die Umgebung.
	eStore-Temperatur ist zu hoch.	➤ Prüfen Sie die Status-LED des Ladegeräts. ➤ Prüfen Sie die eStore-Temperatur. ➤ Kühlen Sie die Umgebung.

## 13 Gewährleistung

Es gilt die gesetzliche Gewährleistungsfrist. Sollte das Produkt defekt sein, wenden Sie sich bitte an die Niederlassung des Herstellers in Ihrem Land (Adressen siehe Rückseite der Anleitung) oder an Ihren Fachhändler.

Zur Reparatur- bzw. Gewährleistungsbearbeitung müssen Sie folgende Unterlagen mitschicken:

- eine Kopie der Rechnung mit Kaufdatum,
- einen Reklamationsgrund oder eine Fehlerbeschreibung.

## 14 Entsorgung

- Geben Sie das Verpackungsmaterial möglichst in den entsprechenden Recycling-Müll.



Wenn Sie das Produkt endgültig außer Betrieb nehmen, informieren Sie sich bitte beim nächsten Recyclingcenter oder bei Ihrem Fachhändler über die zutreffenden Entsorgungsvorschriften.




### Schützen Sie Ihre Umwelt!

Akkus und Batterien gehören nicht in den Hausmüll.

Geben Sie bitte Ihre defekten Akkus oder verbrauchten Batterien beim Händler oder bei einer Sammelstelle ab.

## 15 Technische Daten

	eStore
Art.-Nr.:	9102900224
Nennspannung:	13,2 V $\text{---}$
Betriebstemperaturbereich (bei Entladung):	-30 °C (mit reduzierter Leistung) bis +55 °C
Temperaturbereich für das Laden mit eCore: mit anderen Ladegeräten:	-10 °C bis +55 °C 0 °C bis +40 °C
Nennkapazität:	100 Ah
Abmessungen L x B x H:	315 x 160 x 285 mm
Gewicht:	17 kg
Prüfung/Zertifikat:	 IEC 62133 UN 38.3 UN 3480

**Veillez lire attentivement cette notice avant le montage et la mise en service. Veillez ensuite la conserver. En cas de passer le produit, veuillez le transmettre au nouvel acquéreur.**

## Sommaire

1	Explication des symboles . . . . .	54
2	Consignes générales de sécurité . . . . .	55
3	Contenu de la livraison . . . . .	56
4	Accessoires . . . . .	57
5	Usage conforme . . . . .	58
6	Description technique . . . . .	59
7	Fixation de l'eStore . . . . .	61
8	Raccordement de l'eStore . . . . .	62
9	Avant la première utilisation . . . . .	66
10	Utilisation de l'eStore . . . . .	67
11	Nettoyage de l'eStore . . . . .	69
12	Guide de dépannage . . . . .	70
13	Garantie . . . . .	73
14	Retraitement . . . . .	74
15	Caractéristiques techniques . . . . .	74

# 1 Explication des symboles

**DANGER !**

**Consigne de sécurité :** le non-respect de ces consignes entraîne la mort ou de graves blessures.

**AVERTISSEMENT !**

**Consigne de sécurité :** le non-respect de ces consignes peut entraîner la mort ou de graves blessures.

**ATTENTION !**

**Consigne de sécurité :** le non-respect de ces consignes peut entraîner des blessures.

**AVIS !**

Le non-respect de ces consignes peut entraîner des dommages matériels et des dysfonctionnements du produit.

**REMARQUE**

Informations complémentaires sur l'utilisation du produit.

## 2 Consignes générales de sécurité

Le fabricant décline toute responsabilité pour des dommages dans les cas suivants :

- des endommagements du produit causés par des sollicitations mécaniques, des surtensions ou des surintensités
- des modifications apportées au produit sans autorisation explicite du fabricant ;
- des usages différents de ceux décrits dans le manuel.

Lors de l'utilisation d'appareils électriques, les consignes générales de sécurité suivantes doivent être respectées afin d'éviter

- une décharge électrique,
- un incendie,
- des blessures.

### 2.1 Consignes générales de sécurité



#### **DANGER !**

- En cas d'incendie, utilisez un extincteur adapté aux appareils électriques.



#### **AVERTISSEMENT !**

- Si l'appareil ou le câble de raccordement présentent des dommages visibles, il est interdit de mettre l'appareil en service.
- Seul un personnel qualifié est habilité à effectuer des réparations sur l'appareil. Toute réparation mal effectuée risquerait d'entraîner de graves dangers.
- Les personnes (y compris les enfants) qui ne sont pas en mesure d'utiliser l'appareil en toute sécurité — que ce soit en raison de déficiences physiques, sensorielles ou mentales ou bien par manque d'expérience ou de connaissances — ne sont pas autorisées à le faire, sauf si une personne garante de leur sécurité les surveille ou leur fournit des explications sur son utilisation.
- **Les appareils électriques ne sont pas des jouets pour enfants !** Placez et utilisez l'appareil hors de leur portée.
- Les enfants doivent être surveillés pour s'assurer qu'ils ne jouent pas avec l'appareil.

**AVIS !**

- Avant la mise en service, vérifiez que la tension indiquée sur la plaque signalétique correspond à l'alimentation électrique dont vous disposez.
- Veillez à ce que d'autres objets ne provoquent **aucun** court-circuit au niveau des contacts de l'appareil.
- Veillez à ce que la borne positive et la borne négative ne se touchent **jamais**.
- Si les lignes électriques doivent traverser des parois à arêtes vives, utilisez des tubes vides ou des passe-câbles.
- Ne faites passer aucune ligne électrique non fixée ou fortement coudee sur des matériaux conducteurs (métal).

## 2.2 Consignes de sécurité

**DANGER ! Danger de mort par électrocution**

- Ne touchez jamais les lignes électriques dénudées avec les mains nues. Cela est surtout valable pour les appareils fonctionnant sur un réseau alternatif.

**AVERTISSEMENT !**

- Utilisez l'appareil uniquement dans des pièces fermées et bien aérées.

**ATTENTION !**

- N'utilisez **pas** l'appareil
  - en milieu humide, à forte teneur en sel,
  - à proximité de vapeurs agressives,
  - à proximité de matériaux inflammables,
  - ou dans un environnement explosif.
- Ne tirez pas sur les lignes électriques.

## 3 Contenu de la livraison

- Batterie eStore
- Notice de montage et d'utilisation



## 4 Accessoires

Disponibles en accessoires et pièces de rechange (non compris dans la livraison) :

Désignation des pièces	Numéro de produit
Kit de câble BUS eStore Autocollant d'identification RJ11 et eStore Pour le raccordement de plusieurs eStores entre eux lorsque le bus eStore est utilisé	9102900279
Kit de configuration eStore Câble USB et CD de données Pour la configuration de plusieurs eStores - Installateur uniquement	9102900281
Kit de câble BUS eStore-eCore Câble CAT5-LAN, RJ45 Pour le raccordement entre eStore et eCore	9102900280
Câble BUS eStore-MPC01 Pour le raccordement entre eStore et MPC01	9102200197
Câble BUS eStore-MCA Pour le raccordement entre eStore et les chargeurs MCA, lorsqu'aucun MPC01 n'est utilisé	9103530048
Fusible de remplacement 250 A Série Littelfuse Mega, distance entre les trous 50,8 mm	9102900282
Jeu d'étriers de retenue – verticaux Pour le montage vertical de l'eStore	9102900289
Jeu d'étriers de retenue – horizontaux Pour le montage horizontal de l'eStore	9102900290

## 5 Usage conforme

L'eStore sert de source de tension 12 V dans les installations électriques de camping-cars, caravanes, véhicules utilitaires et dans les utilisations stationnaires. L'eCore ne doit pas être utilisé à des fins médicales.

Avec un onduleur, p. ex. l'eCore, il est également possible d'alimenter des appareils en 230 V $\sim$ .

Une utilisation comme batterie de démarrage n'est pas possible. L'eStore ne doit pas être raccordé directement à la batterie de démarrage. Grâce à un raccordement en parallèle de plusieurs batteries eStore, le courant disponible peut suffire à assister la batterie de démarrage. Il est possible de raccorder jusqu'à huit eStores en parallèle afin d'augmenter la capacité totale installée jusqu'à 800 Ah.

L'eStore se transporte grâce aux poignées intégrées.

## 6 Description technique

### 6.1 Description générale

L'eStore est une batterie lithium-ions sans entretien pour l'alimentation électrique de systèmes 12 V $\overline{\text{---}}$ . L'eStore dispose d'un commutateur principal interne et d'un fusible 250 A interne.

Combiné à un système de gestion des batteries, l'eStore offre les fonctions suivantes :

- Surveillance des cellules de la batterie
- Surveillance de la tension de la batterie
- Surveillance de la température des cellules de la batterie par capteur de température intégré
- Communication entre plusieurs batteries eStore

L'eStore peut être chargé grâce à des chargeurs eCore ou des chargeurs PerfectCharge série MCA. L'utilisation de chargeurs de batterie d'autres fabricants est autorisée. Afin de s'assurer que le commutateur principal interne reste fermé dans des conditions normales de chargement, le chargeur doit remplir les conditions suivantes :

1. Tension finale de charge : entre 13,8 V et 14,0 V
2. Puissance de sortie : maximale 40 A par eStore raccordé (30 A recommandé)

Pour augmenter la capacité totale, il est possible de monter jusqu'à 8 eStores en parallèle. Le courant de sortie commun maximal ne doit pas dépasser 250 A.



#### REMARQUE

Un eStore peut mettre à disposition, pour une courte période, du courant de 250 A. Le courant permanent ne doit pas dépasser 200 A. Un courant de décharge durable supérieur à 200 A sortant d'un eStore peut provoquer un raccourcissement de la durée de vie. Utilisez deux eStores ou plus, si un courant supérieur à 200 A est nécessaire sur une longue durée.

## 6.2 Affichages et éléments de commande

Pos. dans fig. 1, page 3	Désignation	Explication
1	Commutateur principal	Active (ferme) et désactive (ouvre) le commutateur principal interne
2	Voyant d'état	Éteint : Le système de gestion de la batterie est coupé à cause du mode de chargement activé ou d'une décharge excessive
		Clignote en vert : système de gestion de la batterie activé, le commutateur principal est activé ou allumé (fermé)
		Clignote en jaune : système de gestion de la batterie activé, le commutateur principal est désactivé ou éteint (ouvert)
		Clignote en rouge : dysfonctionnement
3	Interface eStore-BUS	
4	Interface LIN pour le raccordement de chargeurs MCA PerfectCharge et MPC01	
5	Port USB pour la configuration	
6	Interface de bus CAN	

## 6.3 Protection par fusibles et raccordements

Pos. dans fig. 2, page 3	Désignation	Explication
1	Pôle négatif	Borne M8 pour chargeurs et consommateurs d'énergie
2	Fusible interne	250 A – Alésages de fixation avec écart standard des trous de 50,8 mm
3	Pôle positif	Borne M8 pour chargeurs et consommateurs d'énergie

## 7 Fixation de l'eStore



### AVERTISSEMENT !

L'eStore ne doit pas être fixé par des sangles, etc. passant sur le cache en plastique, car cela endommage l'eStore.



### REMARQUE

En cas d'utilisation de plusieurs eStores raccordés : configurez et marquez les eStores avant le montage dans le véhicule, voir chapitre « Raccordement de plusieurs eStores », page 64.

### **Veillez respecter les remarques suivantes concernant l'emplacement de montage**

- L'eStore peut être monté à la verticale (fig. **11**, page 6) ou à l'horizontale (fig. **12**, page 7) sur une surface plane et stable.
  - L'eStore ne doit pas être installé à proximité de matériaux inflammables.
  - L'emplacement de montage doit être protégé de l'humidité et de la poussière.
  - Laissez au moins 2 cm d'espace libre autour de l'eStore et veillez à une bonne aération. Il convient d'éviter les basses températures en hiver (lors du chargement) pour assurer la longévité de l'installation.
  - Pour des raisons de sécurité, faites attention lors de l'installation (opérations de perçage, de vissage, etc.) à la position des faisceaux de câbles, conduites et autres éléments, éventuellement encastrés et invisibles, qui se trouvent dans la zone de montage !
  - Si vous installez plus d'un eStore, laissez un espace d'au moins 1 cm entre les eStores.
- Choisissez un lieu de montage adapté et fixez-y l'eStore de manière sûre.
- **Montage vertical :** Utilisez les rails de fixation intégrés (fig. **11**, page 6). Des étriers externes adaptés sont disponibles en accessoires (voir chapitre « Accessoires », page 57).
- **Montage horizontal :** Attachez l'eStore à l'aide de deux sangles ou bandes sur l'appareil (fig. **12**, page 7). Faites-les passer entre les poignées et les rails de fixation, puis fixez-les à la surface de montage. L'eStore ne peut ainsi pas bouger lorsque le véhicule est en mouvement. Des étriers externes adaptés sont disponibles en accessoires (voir chapitre « Accessoires », page 57).

## 8 Raccordement de l'eStore

### 8.1 Ouverture du cache du pôle

- Déverrouillez la fermeture en appuyant légèrement vers le bas la tige située au milieu de la fermeture (fig. **3** 1, page 3).  
Veillez à ne pas l'enfoncer complètement.
- Ouvrez le clapet (fig. **3** 2, page 3).
- Retirez la fermeture déverrouillée (fig. **3** 3, page 3).
- Tenez compte des positions de la fermeture (fig. **4**, page 4) :
  - 1 : déverrouillé
  - 2 : prêt à l'emploi
  - 3 : verrouillé

### 8.2 Fermeture du cache du pôle

- Remplacez la tige de la fermeture en position.
- Insérez la fermeture prête à l'emploi (fig. **5** 1, page 4).
- Fermez le clapet (fig. **5** 2, page 4).
- Verrouillez la fermeture en appuyant légèrement vers le bas la tige située au milieu du clapet (fig. **5** 3, page 4).  
Veillez à ne pas l'enfoncer complètement.

### 8.3 Activation de l'eStore



#### REMARQUE

L'eStore est livré en mode de stockage, mode qui empêche un déchargement automatique pendant le stockage. Pour utiliser l'eStore, vous devez d'abord l'activer.

- Ouvrez le cache des piles (voir chapitre « Ouverture du cache du pôle », page 62).
- Raccordez le pôle positif (fig. **2** 1, page 3) et le pôle négatif (fig. **2** 2, page 3) à une batterie à faible courant 12 V $\approx$  ou à un chargeur.
- ✓ La LED d'état (fig. **1** 2, page 3) clignote en jaune.
- ✓ L'eStore est activé.

## 8.4 Raccordement des câbles



### AVIS !

- Raccordez uniquement des appareils d'une tension nominale de 12 V $\overline{=}$ .
- Veillez à ce que la polarité soit correcte lorsque vous raccordez les appareils à l'eStore. Respectez pour ce faire les manuels d'utilisation correspondants.
- Assurez-vous que les appareils que vous souhaitez raccorder sont éteints.

- Allumez (ouvrez) le commutateur principal de l'eStore, en appuyant sur le commutateur principal (fig. **1** 1, page 3).
- Ouvrez le clapet (chapitre « Ouverture du cache du pôle », page 62).
- Raccordez le câble positif au pôle positif (fig. **2** 3, page 3).
- Vissez la vis du pôle avec un couple de serrage de 13 – 15 Nm.
- Fermez le clapet (chapitre « Fermeture du cache du pôle », page 62).
- Ouvrez le clapet du pôle négatif (chapitre « Ouverture du cache du pôle », page 62).
- Raccordez le câble négatif au pôle négatif (fig. **2** 1, page 3).
- Vissez la vis du pôle avec un couple de serrage de 13 – 15 Nm.
- Fermez le clapet du pôle négatif (chapitre « Fermeture du cache du pôle », page 62).
- Éteignez (fermez) le commutateur principal de l'eStore, en appuyant sur le commutateur principal (fig. **1** 1, page 3).

## 8.5 Raccordement d'appareils

- Éteignez tous les appareils, en particulier ceux raccordés à l'eStore.
- Allumez (ouvrez) le commutateur principal de l'eStore, en appuyant sur le commutateur principal (fig. **1** 1, page 3).
- Raccordez l'appareil 12 V $\overline{=}$  à l'eStore.
- Éteignez (fermez) le commutateur principal de l'eStore, en appuyant sur le commutateur principal (fig. **1** 1, page 3).
- Allumez l'appareil 12 V $\overline{=}$ .

## 8.6 Raccordement du câble de données

Vous pouvez raccorder l'eStore pour la communication de données de la manière suivante :

- à l'eCore via le bus CAN
- sur un chargeur MCA PerfectCharge via bus LIN-/CI
- sur un chargeur MCA PerfectCharge via bus LIN-/CI via MPC01

Du fait de la connexion de données, il est possible de contrôler et d'afficher des paramètres tels que la tension, la température et l'état de charge. Vous trouverez de plus amples détails dans les manuels d'utilisation correspondants des appareils.

- Établissez la connexion de données en fonction de la configuration de vos appareils.

## 8.7 Raccordement de plusieurs eStores

Il est possible de raccorder jusqu'à huit eStores en parallèle afin d'augmenter la capacité totale jusqu'à 800 Ah. L'illustration montre une connexion de données de trois eStores raccordés (fig. **6**, page 4).



### REMARQUE

- Pour raccorder plusieurs eStores entre eux, vous avez besoin d'au moins un câble de BUS et d'un kit de configuration eStore (voir chapitre « Accessoires », page 57).
- Des eStores raccordés entre eux doivent être réglés par le configurateur eStore (chapitre « Raccordement et configuration du câble BUS », page 65). Si vous utilisez un seul eStore, vous n'avez besoin de rien régler. L'eStore est préréglé en usine sur l'utilisation comme batterie individuelle.
- Assurez-vous que tous les eStores sont complètement chargés après l'installation.

Le premier eStore sert de maître. Il remplit les fonctions suivantes :

- Il commande le commutateur principal des autres eStores (fig. **6**, page 4).
- Il relie les chargeurs par CAN/LIN.

Les autres eStores sont commandés en tant qu'esclaves du maître.



## Raccordement et configuration du câble BUS

Pour la configuration, vous avez besoin d'un PC possédant un port USB et du configurateur eStore.

Selon la situation de montage, il est pertinent de configurer les eStores et de les marquer avant le montage dans le véhicule.

- Assurez-vous que l'eStore ne se trouve pas en mode d'enregistrement (la LED d'état clignote).
- Enfichez le câble USB du PC dans le port USB (fig. **1** 5, page 3) du premier eStore (maître).
- Configurez le maître, voir chapitre « Configuration des eStores raccordés », page 65.
- Placez l'autocollant d'identification (fig. **6** 6, page 4) sur le maître (fig. **6** 1, page 4).
- Débranchez le câble USB du maître.
- Enfichez le câble USB du PC dans le port USB du premier esclave.
- Placez l'autocollant d'identification (fig. **6** 3, page 4) sur l'esclave (fig. **6** 2, page 4).
- Le cas échéant, configurez les esclaves restants.
- Raccordez les eStores avec les câbles de bus (fig. **6** 4, page 4).

## 8.8 Configuration des eStores raccordés

- Le cas échéant, installez le ModbusReader « mbreader\_setup.exe » du CD-ROM sur le PC.
- Copiez le fichier « eStore\_Configuration\_utility\_FM739.mbc » du CD-ROM sur le disque dur du PC.
- Ouvrez le fichier « eStore\_Configuration\_utility\_FM739.mbc ».
- ✓ Le configurateur eStore s'ouvre (fig. **7** , page 5).
- Appuyez sur **CRTL+F** ou sélectionnez dans le menu « Connexion » l'ordre **Find COM** (fig. **8** 1, page 5).
- Sélectionnez le nouveau numéro de port, dans l'exemple COM18 (fig. **8** 2, page 5).
- Appuyez sur **CRTL+P** ou sélectionnez dans le menu « Connexion » **COM Parameters** (fig. **8** 3, page 5).

- La fenêtre **COM Settings** s'ouvre.
- Dans la liste de sélection **Parity** (fig. 8 4, page 5), sélectionnez la valeur **Even**.
- Cliquez sur **OK** (fig. 8 5, page 5).
- Dans le champ **Pack Address**, saisissez le numéro de l'eStore, p. ex. « 1 » pour le maître (fig. 9 1, page 5).
- Appuyez sur "F2" » ou sélectionnez dans le menu »Connexion" l'ordre **Connect** (fig. 8 6, page 5).
- Appuyez sur la touche Enter.
- Dans le champ **Total Pack Number**, saisissez le nombre total d'eStore, p. ex. « 3 » si vous voulez raccorder trois appareils en tout (fig. 9 2, page 5).
- Appuyez sur la touche Enter.
- Dans le champ **Parallel Pack Number**, saisissez le nombre total d'eStore, p. ex. « 3 » si vous voulez raccorder trois appareils en tout (fig. 9 3, page 5).  
**Remarque :** Total Pack Number et Parallel Pack Number doivent être identiques.
- Appuyez sur la touche Enter.
- Saisissez le mot de passe **3331** (fig. 9 4, page 5).
- Appuyez sur la touche Enter.
- Apposez l'autocollant d'identification (fig. 9 5, page 5).  
**Remarque :** le numéro du dernier eStore doit être identique au nombre total des eStores.

## 9 Avant la première utilisation



### REMARQUE

Assurez-vous que le ou les eStores sont complètement chargés après l'installation, car un déchargement peut sinon provoquer des dommages.

## 10 Utilisation de l'eStore



### AVIS !

Ne laissez pas l'eStore à l'état déchargé. Si le commutateur principal est ouvert à cause d'une décharge excessive, rechargez l'eStore le plus vite possible (au maximum 5 jours). Sans quoi l'eStore passe en mode de chargement et peut s'endommager.



### REMARQUE

Suivez les indications suivantes pour prolonger la durée de vie de l'eStore.

- Évitez les décharges excessives entraînant l'ouverture du commutateur principal (voir chapitre « Tension de service et commutateur principal », page 68).
- Pendant la procédure de chargement ou le stockage, évitez les températures extrêmement élevées ou extrêmement basses.
- Évitez une décharge élevée durable (> 200 A).

## 10.1 Tension de service et commutateur principal

Le système de gestion de la batterie eStore évalue l'état de chaque cellule de la batterie, afin de déterminer quand protéger la batterie en ouvrant le commutateur principal.

Le commutateur principal fonctionne comme suit :

État de l'eStore	Comportement du commutateur principal
Décharge	<p>&lt; 30 A, 11 – 12 V : Le commutateur principal s'ouvre</p> <p>&gt; 30 A, 10 – 11,8 V : le main switch s'ouvre</p> <p>Il s'agit de valeurs de référence fournies à titre indicatif uniquement. La tension d'ouverture du commutateur principal dépend des paramètres internes, tels que la tension et la température des cellules, ainsi que le courant de décharge. Le courant indiqué est valable pour un eStore.</p>
Charge	<p>La tension d'ouverture du commutateur principal dépend des paramètres internes, tels que la tension et la température des cellules, ainsi que le courant de charge. La tension maximale avant ouverture du commutateur principal est de 15,2 V. La charge effectuée d'après les paramètres de charge recommandés en conditions normales garantit que le commutateur principal reste fermé.</p> <p>Voir chapitre « Chargement de l'eStore », page 68 pour les paramètres de charge recommandés.</p>

## 10.2 Chargement de l'eStore



### AVIS !

L'eStore peut être chargé à l'aide de chargeurs de batterie tels que l'eCore ou les chargeurs MCA PerfectCharge (sélectionnez le mode d'alimentation ; voir le manuel d'utilisation du chargeur pour connaître la position correspondante du commutateur DIP). L'utilisation de chargeurs de batterie d'autres fabricants est autorisée. Le commutateur principal reste fermé en conditions normales de charge, si les paramètres de charge suivants sont respectés :

- Tension finale de charge : entre 13,8 V et 14,0 V
- Puissance de sortie : maximale 40 A par eStore raccordé (30 A recommandé)



### REMARQUE

Veuillez également tenir compte du manuel d'utilisation du chargeur utilisé.

## 10.3 Remplacement du fusible



### REMARQUE

Utilisez au maximum un fusible de 250 A avec un écart de 50,8 mm entre les trous.

Procédez de la manière suivante pour remplacer le fusible :

- Ouvrez le cache du pôle positif (chapitre « Ouverture du cache du pôle », page 62).
- Retirez les écrous et les rondelles du fusible (fig. **10** 1, page 6).
- Changez le fusible (fig. **10** 2, page 6).
- Fixez le nouveau fusible avec les écrous et rondelles (fig. **10** 1, page 6). Serrez les écrous avec un couple compris entre 13 et 15 Nm.
- Fermez le clapet du pôle positif (chapitre « Fermeture du cache du pôle », page 62).

## 10.4 Stockage de l'eStore



### REMARQUE

- Stockez l'eStore dans un endroit frais et sec.
- Évitez le stockage à des températures élevées en permanence. Cela raccourcit la durée de vie de l'appareil.
- Rechargez l'eStore tous les 3 mois.
- Pour un stockage plus long (ex. : hivernage du véhicule) :
  - Retirez tous les consommateurs d'énergie.
  - Déchargez l'eStore.
  - Ouvrez le commutateur principal.

Cela empêche une décharge excessive et l'endommagement de l'eStore.

## 11 Nettoyage de l'eStore



### AVIS !

N'utilisez aucun objet coupant ou dur, ni de détergents pour le nettoyage. Cela pourrait endommager le produit.

- Nettoyez le produit avec un tissu humide.

## 12 Guide de dépannage

Dysfonctionnement	Cause	Solution
Il n'y a pas de tension au niveau des bornes de la batterie.	Le commutateur principal est éteint (ouvert).	➤ Allumez (fermez) le commutateur principal.
	Le fusible est défectueux.	➤ Changez le fusible (voir chapitre « Remplacement du fusible », page 69).
	L'eStore est en mode d'enregistrement.	➤ Activez l'eStore.
	L'eStore n'est pas correctement configuré.	➤ Configurez l'eStore.
	L'eStore est déchargé.	➤ Chargez l'eStore avec un courant de charge de < 10 A. <b>Remarque</b> : N'utilisez pas de système de chargement intelligent (lorsque le commutateur principal est allumé, il n'y a pas de tension au niveau des bornes. Les chargeurs de batterie intelligents ne démarrent pas s'il n'y a pas de tension). ➤ Adressez-vous à un revendeur spécialisé agréé.
L'eStore est défectueux.	➤ Adressez-vous à un revendeur spécialisé agréé.	

Dysfonctionnement	Cause	Solution
Le voyant d'état LED ne clignote pas.	L'eStore est en mode d'enregistrement.	<ul style="list-style-type: none"> <li>➤ Activez l'eStore.</li> </ul>
	L'eStore est complètement déchargé.	<ul style="list-style-type: none"> <li>➤ Chargez l'eStore avec un courant de charge de &lt; 10 A. <b>Remarque</b> : N'utilisez pas de système de chargement intelligent (lorsque le commutateur principal est allumé, il n'y a pas de tension au niveau des bornes. Les chargeurs de batterie intelligents ne démarrent pas s'il n'y a pas de tension).</li> <li>➤ Adressez-vous à un revendeur spécialisé agréé.</li> </ul>
	L'eStore est défectueux.	<ul style="list-style-type: none"> <li>➤ Adressez-vous à un revendeur spécialisé agréé.</li> </ul>
Le voyant d'état LED clignote en rouge :	L'eStore est configuré pour le raccordement de plusieurs eStores et les câbles BUS ne sont pas enfilés.	<ul style="list-style-type: none"> <li>➤ Enfichez le câble eStore.</li> </ul>
	L'eStore est déchargé.	<ul style="list-style-type: none"> <li>➤ Chargez l'eStore.</li> </ul>
	L'eStore est trop chargé.	<ul style="list-style-type: none"> <li>➤ Débranchez les chargeurs de l'eStore.</li> <li>➤ Vérifiez la tension de charge des chargeurs de batterie.</li> </ul>
	L'eStore est défectueux.	<ul style="list-style-type: none"> <li>➤ Adressez-vous à un revendeur spécialisé agréé.</li> </ul>

Dysfonctionnement	Cause	Solution
L'eStore ne réagit pas à la mise en marche du commutateur principal.	L'eStore est en mode d'enregistrement.	<ul style="list-style-type: none"> <li>➤ Activez l'eStore.</li> </ul>
	L'eStore est déchargé.	<ul style="list-style-type: none"> <li>➤ Chargez l'eStore avec un courant de charge de &lt; 10 A. <b>Remarque</b> : N'utilisez pas de système de chargement intelligent (lorsque le commutateur principal est allumé, il n'y a pas de tension au niveau des bornes. Les chargeurs de batterie intelligents ne démarrent pas s'il n'y a pas de tension).</li> <li>➤ Adressez-vous à un revendeur spécialisé agréé.</li> </ul>
	L'eStore est configuré comme esclave et pas comme maître.	<ul style="list-style-type: none"> <li>➤ Utilisez le commutateur principal du maître eStore (eStore configuré comme n°1)</li> </ul>
	La configuration de raccordement de plusieurs eStores est incorrecte.	<ul style="list-style-type: none"> <li>➤ Vérifiez la configuration.</li> </ul>
	L'eStore est défectueux.	<ul style="list-style-type: none"> <li>➤ Adressez-vous à un revendeur spécialisé agréé.</li> </ul>
Le commutateur principal s'allume (se ferme) et s'éteint (s'ouvre) de nouveau aussitôt.	L'eStore est déchargé.	<ul style="list-style-type: none"> <li>➤ Chargez l'eStore.</li> </ul>
	L'eStore est trop chargé.	<ul style="list-style-type: none"> <li>➤ Débranchez les chargeurs de l'eStore.</li> <li>➤ Vérifiez la tension de charge des chargeurs de batterie.</li> </ul>
	Le courant de charge est trop élevé.	<ul style="list-style-type: none"> <li>➤ Réduisez le courant de charge.</li> </ul>
	Le courant de décharge est trop élevé.	<ul style="list-style-type: none"> <li>➤ Réduisez la charge.</li> <li>➤ Vérifiez la température de l'eStore.</li> <li>➤ Chargez l'eStore.</li> </ul>
	L'eStore est défectueux.	<ul style="list-style-type: none"> <li>➤ Adressez-vous à un revendeur spécialisé agréé.</li> </ul>



Dysfonctionnement	Cause	Solution
« Warning eStore » apparaît sur le panneau de commande de l'eCore.	La température de l'eStore est trop basse.	<ul style="list-style-type: none"> <li>▶ Vérifiez la LED d'état du chargeur.</li> <li>▶ Vérifiez la température de l'eStore.</li> <li>▶ Réchauffez l'environnement d'utilisation.</li> </ul>
	La température de l'eStore est trop élevée.	<ul style="list-style-type: none"> <li>▶ Vérifiez la LED d'état du chargeur.</li> <li>▶ Vérifiez la température de l'eStore.</li> <li>▶ Refroidissez l'environnement d'utilisation.</li> </ul>

## 13 Garantie

Le délai légal de garantie s'applique. Si le produit s'avérait défectueux, veuillez vous adresser à la filiale du fabricant située dans votre pays (voir adresses au verso du présent manuel) ou à votre revendeur spécialisé.

Veuillez y joindre les documents suivants pour la gestion des réparations et de la garantie :

- une copie de la facture avec la date d'achat,
- le motif de la réclamation ou une description du dysfonctionnement.

## 14 Retraitement

- Jetez les emballages dans les conteneurs de déchets recyclables prévus à cet effet.




Lorsque vous mettez votre produit définitivement hors service, informez-vous auprès du centre de recyclage le plus proche ou auprès de votre revendeur spécialisé sur les prescriptions relatives au retraitement des déchets.



### Protégez l'environnement !

Les piles et les batteries usagées ne sont pas des déchets ménagers. Rapportez les piles défectueuses ou les batteries usagées à votre revendeur ou à un centre de collecte.

## 15 Caractéristiques techniques

	eStore
N° de produit :	9102900224
Tension nominale :	13,2 V $\overline{---}$
Plage de température de fonctionnement (en décharge) :	de $-30^{\circ}\text{C}$ (en puissance réduite) à $+55^{\circ}\text{C}$
Plage de température pour le chargement Avec l'eCore : Avec d'autres chargeurs :	$-10^{\circ}\text{C}$ à $+55^{\circ}\text{C}$ $0^{\circ}\text{C}$ à $+40^{\circ}\text{C}$
Capacité nominale :	100 Ah
Dimensions l x L x h :	315 x 160 x 285 mm
Poids :	17 kg
Contrôle/certificat :	 IEC 62133 UN 38.3 UN 3480

**Lea detenidamente estas instrucciones antes de llevar a cabo la instalación y puesta en funcionamiento, y consérvelas en un lugar seguro. En caso de vender o entregar el producto a otra persona, entregue también estas instrucciones.**

## Índice

1	Explicación de los símbolos . . . . .	76
2	Indicaciones generales de seguridad . . . . .	77
3	Volumen de entrega . . . . .	78
4	Accesorios . . . . .	79
5	Uso adecuado . . . . .	80
6	Descripción técnica . . . . .	80
7	Fijar eStore. . . . .	82
8	Conexión de la eStore . . . . .	84
9	Antes del primer uso . . . . .	89
10	Uso de la eStore . . . . .	90
11	Limpieza de la eStore . . . . .	92
12	Solución de averías . . . . .	93
13	Garantía legal . . . . .	96
14	Gestión de residuos . . . . .	97
15	Datos técnicos. . . . .	97

# 1 Explicación de los símbolos

**¡PELIGRO!**

**Indicación de seguridad:** su incumplimiento acarrea la muerte o graves lesiones.

**¡ADVERTENCIA!**

**Indicación de seguridad:** su incumplimiento puede acarrear la muerte o graves lesiones.

**¡ATENCIÓN!**

**Indicación de seguridad:** su incumplimiento puede acarrear lesiones.

**¡AVISO!**

Su incumplimiento puede acarrear daños materiales y perjudicar el correcto funcionamiento del producto.

**NOTA**

Información adicional para el manejo del producto.

## 2 Indicaciones generales de seguridad

El fabricante declina toda responsabilidad ante daños ocurridos en los siguientes casos:

- desperfectos en el producto debidos a influencias mecánicas, a sobretensión y a sobrecorriente;
- modificaciones realizadas en el producto sin el expreso consentimiento del fabricante;
- uso con otra finalidad distinta a la descrita en las instrucciones.

Al utilizar aparatos eléctricos, respete las siguientes normas básicas de seguridad para protegerse de:

- descargas eléctricas
- peligro de incendio
- lesiones

### 2.1 Seguridad básica



#### ¡PELIGRO!

- En caso de incendio, utilice un extintor adecuado para aparatos eléctricos.



#### ¡ADVERTENCIA!

- Si el aparato o el cable de conexión presentan daños visibles, no debe poner en marcha el aparato.
- Solo personal especializado puede realizar reparaciones en el aparato. Las reparaciones que se realicen incorrectamente pueden dar lugar a situaciones de considerable peligro.
- Las personas (incluidos los niños) que, debido a sus capacidades físicas, sensoriales o mentales, a su falta de experiencia o a desconocimiento, no pueden utilizar el aparato de forma segura, no tienen permitido utilizar este aparato sin la vigilancia y las instrucciones de una persona sobre la que recae tal responsabilidad.
- **Los aparatos eléctricos no son juguetes.** Mantenga y utilice el aparato fuera del alcance de los niños.
- Se debe vigilar a los niños para asegurarse de que no jueguen con el aparato.

**¡AVISO!**

- Antes de la puesta en funcionamiento, compare el valor de tensión indicado en la placa de características con el suministro de energía existente.
- Asegúrese de que **no** haya otros objetos que causen un cortocircuito en los contactos del aparato.
- Preste atención a que los bornes rojo y negro **nunca** entren en contacto.
- Si los cables atraviesan paredes con bordes afilados, utilice conductos para cables o guías de cable.
- No coloque cables sueltos ni doblados en extremo sobre materiales conductores de electricidad (metales).

## 2.2 Seguridad durante el funcionamiento del aparato

**¡PELIGRO! ¡Peligro de muerte por descarga eléctrica!**

- No toque directamente con las manos cables sin aislamiento. Esto se aplica especialmente en el caso de aparatos que funcionen con la red de corriente alterna.

**¡ADVERTENCIA!**

- Monte el aparato únicamente en recintos cerrados y bien ventilados.

**¡ATENCIÓN!**

- **No** utilice este aparato
  - en entornos con contenido de sal, húmedos o mojados,
  - en las proximidades de vapores agresivos,
  - en las proximidades de materiales inflamables,
  - en áreas con riesgo de explosión.
- No tire de los cables.

## 3 Volumen de entrega

- Batería eStore
- Instrucciones de montaje y uso

## 4 Accesorios

Disponibles como accesorios y piezas de repuesto (no incluidos en el volumen de entrega):

Nombre de las piezas	Número de artículo
Juego de cable BUS eStore RJ11 y adhesivo de identificación de eStore Para la conexión entre varias eStores cuando se utiliza el bus eStore	9102900279
Juego de configuración eStore Cable USB y CD de datos Para la instalación de varias eStores (solo Installer)	9102900281
Juego de cable BUS eStore-eCore Cable LAN CAT5, RJ45 Para la conexión entre eStore y eCore	9102900280
Cable BUS eStore-MPC01 Para la conexión entre eStore y MPC01	9102200197
Cable BUS eStore-MCA Para la conexión entre eStore y cargadores MCA cuando no se utiliza ningún MPC01	9103530048
Fusible de repuesto de 250 A Serie Mega de Littelfuse, distancia entre orificios 50,8 mm	9102900282
Juego de estribo de sujeción eStore, vertical Para montar eStore en vertical	9102900289
Juego de estribo de sujeción eStore, horizontal Para montar eStore en horizontal	9102900290

## 5 Uso adecuado

eStore sirve como fuente de tensión de 12 V en sistemas eléctricos de caravanas, autocaravanas, vehículos industriales y aplicaciones estacionarias. eCore no se puede utilizar para fines médicos.

En combinación con un inversor, por ejemplo eCore, también se pueden alimentar otros aparatos con 230 V~.

No es posible su uso como batería de arranque. eStore no se puede conectar directamente con la batería de arranque. Conectando en paralelo varias baterías eStore, la corriente disponible puede ser suficiente para asistir a la batería de arranque. Se pueden conectar en paralelo hasta ocho eStores para aumentar la capacidad total instalada hasta 800 Ah.

Las asas integradas permiten transportar fácilmente la eStore.

## 6 Descripción técnica

### 6.1 Descripción general

eStore es una batería de iones de litio, exenta de mantenimiento, concebida para alimentar sistemas de 12 V $\overline{=}$ . eStore tiene un interruptor interno y un fusible de 250 A.

En combinación con un sistema de gestión de baterías, eStore ofrece las siguientes funciones:

- monitoreo de las celdas de las baterías
- monitoreo de la tensión de las baterías
- monitoreo de la temperatura de las celdas de las baterías por medio de un sensor de temperatura integrado
- comunicación entre varias baterías eStore

eStore puede cargarse con cargadores de como eCore o la serie PerfectCharge MCA. Se autoriza la utilización de cargadores de otros fabricantes. Para asegurarse de que el interruptor principal interno permanezca cerrado durante la carga en condiciones normales, el cargador debe cumplir los siguientes requisitos:

1. Tensión final de carga: entre 13,8 V y 14,0 V
2. Potencia máxima de salida: 40 A por batería eStore conectada (se recomienda 30 A)

Para aumentar la capacidad total se pueden conectar hasta 8 eStores en paralelo. La corriente conjunta de salida no debe superar los 250 A.



**NOTA**

Una batería eStore puede suministrar durante un tiempo breve una corriente de 250 A. La corriente continua no debe superar los 200 A. Una corriente de descarga continua de más de 200 A procedente de una eStore puede reducir la vida útil. Utilice dos o más eStores si se necesita constantemente una corriente superior a 200 A.

## 6.2 Elementos de indicación y de mando

Pos. en fig. 1, página 3	Denominación	Explicación
1	Interruptor principal	Activa (cierra) y desactiva (abre) el interruptor principal interno
2	LED de estado	Apagado: El sistema de gestión de baterías está apagado debido a que está activado el modo de almacenamiento o a una descarga excesiva
		Intermitente en verde: sistema de gestión de baterías activo, interruptor principal activado o encendido (cerrado)
		Intermitente en amarillo: sistema de gestión de baterías activo, interruptor principal desactivado o apagado (abierto)
		Intermitente en rojo: fallo en el funcionamiento
3	Puerto del bus eStore	
4	Puerto LIN para la conexión a cargadores PerfectCharge MCA y MPC01	
5	Puerto USB para configuración	
6	Puerto del bus CAN	

## 6.3 Fusible y conexiones

Pos. en fig. 2, página 3	Denominación	Explicación
1	Polo negativo	Borne M8 para cargadores y consumidores
2	Fusible interno	250 A – orificios de fijación con una distancia de 50,8 mm
3	Polo positivo	Borne M8 para cargadores y consumidores

## 7 Fijar eStore



### ¡ADVERTENCIA!

eStore no se puede asegurar con correas o medios similares por encima de la cubierta de plástico, pues ello dañaría la eStore.



### NOTA

Si se utilizan varias eStores: configúrelas y márkelas antes de montarlas en el vehículo. Véase el capítulo “Conectar varias eStores” en la página 87.

### Tenga en cuenta las siguientes indicaciones respecto al lugar de montaje:

- eStore se puede montar en posición vertical (fig. 11, página 6) u horizontal (fig. 12, página 7) sobre una superficie plana y estable.
- eStore no se debe montar en las proximidades de materiales inflamables.
- El lugar de montaje debe estar protegido frente a humedad y polvo.
- Deje por lo menos 2 cm de espacio libre en torno a la eStore y encárguese de procurar una buena ventilación. El montaje debe evitar las bajas temperaturas en servicio de invierno (carga), para así garantizar un funcionamiento continuo.

- Por motivos de seguridad, durante el montaje (al realizar perforaciones, al atornillar, etc.) preste atención al recorrido de los mazos de cables, conducciones y otros componentes, especialmente cuando no estén a la vista, y a que se encuentren en la zona de montaje.
- Si se instala más de una eStore, deje por lo menos 1 cm de espacio entre ellas.
- Elija un lugar de montaje adecuado y fije allí la eStore.
- **Montaje vertical:** Utilice las bases de fijación (fig. 11, página 6) integradas. Hay disponibles estribos de sujeción a juego como accesorios (véase capítulo “Accesorios” en la página 79).
- **Montaje horizontal:** Asegure la eStore con dos correas o cintas por encima del aparato (fig. 12, página 7). Introduzca las correas o cintas entre las asas y las bases de fijación y sujételas a la superficie de montaje. Con ello se garantiza que eStore no se mueva cuando el vehículo esté en marcha. Hay disponibles estribos de sujeción a juego como accesorios (véase capítulo “Accesorios” en la página 79).

## 8 Conexión de la eStore

### 8.1 Abrir la cubierta de los polos

- ▶ Desbloquee el cierre presionando ligeramente el pasador situado en el centro (fig. **3** 1, página 3).  
Tenga cuidado de no presionarlo del todo.
- ▶ Afloje la tapa (fig. **3** 2, página 3).
- ▶ Retire el cierre desbloqueado (fig. **3** 3, página 3).
- ▶ Preste también atención a las posiciones del cierre (fig. **4**, página 4):
  - 1: desbloqueado
  - 2: listo para el funcionamiento
  - 3: bloqueado

### 8.2 Cerrar la cubierta de los polos

- ▶ Corra el pasador del cierre hacia atrás.
- ▶ Coloque el cierre listo para el uso (fig. **5** 1, página 4).
- ▶ Cierre la tapa (fig. **5** 2, página 4).
- ▶ Bloquee el cierre presionando ligeramente el pasador situado en el centro de la tapa (fig. **5** 3, página 4).  
Tenga cuidado de no presionarlo del todo.

### 8.3 Activación de eStore



#### NOTA

eStore se entrega en el modo de almacenamiento, concebido para evitar que se produzca una autodescarga durante el almacenamiento. Para utilizar eStore, primero se ha de activar eStore.

- ▶ Abra la cubierta de los polos (véase el capítulo “Abrir la cubierta de los polos” en la página 84).
- ▶ Conecte el polo positivo (fig. **2** 1, página 3) y el negativo (fig. **2** 2, página 3) a una batería de corriente baja de 12 V $\equiv$  o a un cargador.
- ✓ El LED de estado (fig. **1** 2, página 3) parpadea en amarillo.
- ✓ eStore está activada.

## 8.4 Conectar el cable de conexión



### ¡AVISO!

- Conecte únicamente aparatos con una tensión nominal de 12 V $\overline{=}$ .
- Al conectar los aparatos a la eStore, preste atención a que la polaridad sea la correcta y respete las instrucciones dadas al respecto.
- Asegúrese de que los aparatos que quiera conectar estén apagados.

- Encienda (abra) el interruptor principal de la eStore pulsando el interruptor principal (fig. **1** 1, página 3).
- Abra la tapa (capítulo “Abrir la cubierta de los polos” en la página 84).
- Conecte el cable positivo al polo positivo (fig. **2** 3, página 3).
- Apriete el tornillo del polo a un par entre 13 y 15 Nm.
- Cierre la tapa (capítulo “Cerrar la cubierta de los polos” en la página 84).
- Abra la tapa del polo negativo (capítulo “Abrir la cubierta de los polos” en la página 84).
- Conecte el cable negativo al polo negativo (fig. **2** 1, página 3).
- Apriete el tornillo del polo a un par de 13 – 15 Nm.
- Cierre la tapa del polo negativo (capítulo “Cerrar la cubierta de los polos” en la página 84).
- Apague (cierre) el interruptor principal de la eStore pulsando el interruptor principal (fig. **1** 1, página 3).

## 8.5 Conexión de aparatos

- Apague todos los aparatos, en especial los que estén conectados a eStore.
- Encienda (abra) el interruptor principal de la eStore pulsando el interruptor principal (fig. 1 1, página 3).
- Conecte el aparato de 12 V $\overline{=}$  a eStore.
- Apague (cierre) el interruptor principal de la eStore pulsando el interruptor principal (fig. 1 1, página 3).
- Encienda el aparato de 12 V $\overline{=}$ .

## 8.6 Conexión del cable de datos

Para transferir datos, puede conectar la eStore de la siguiente forma:

- a eCore a través del bus CAN
- a un cargador PerfectCharge MCA a través del bus LIN/CI
- a un cargador PerfectCharge MCA a través del bus LIN/CI mediante MPC01

Con la conexión de datos se pueden controlar y visualizar parámetros como tensión, temperatura y estado de carga. Para más detalles, consulte las instrucciones de uso del aparato en cuestión.

- Establezca la conexión de datos según lo requiera la configuración de su aparato.

## 8.7 Conectar varias eStores

Se pueden conectar en paralelo hasta ocho eStores para aumentar la capacidad total hasta a 800 Ah. La figura muestra la conexión de datos de tres eStores conectadas entre sí (fig. **6**, página 4).



### NOTA

- Para poder conectar varias eStores entre sí se necesita, por lo menos, un cable BUS y el juego de configuración de eStore (véase el capítulo “Accesorios” en la página 79).
- Las eStores conectadas entre sí se deben ajustar con el configurador eStore (capítulo “Conexión del cable BUS y configuración” en la página 87). Si solo se utiliza una eStore, no es necesario ajustar nada. eStore viene ajustada de fábrica para su uso como batería individual.
- Asegúrese de que, una vez instaladas, todas las eStores estén totalmente cargadas.

La primera eStore funciona como maestro desempeñando las siguientes funciones:

- controla el interruptor principal de las otras eStores (fig. **6**, página 4)
- conecta los cargadores a través de CAN/LIN

Las demás eStores funcionan como esclavos y son controladas por el maestro.

### Conexión del cable BUS y configuración

Para la configuración se necesita un PC con conexión USB y el configurador eStore.

Según sea la situación de montaje, puede resultar conveniente configurar y marcar las eStores antes de montarlas en el vehículo.

- Asegúrese de que la eStore no se encuentre en el modo de memoria (LED de estado intermitente).
- Enchufe el cable USB del PC en el puerto USB (fig. **1** 5, página 3) de la primera eStore (maestro).
- Configure el maestro, véase capítulo “Configurar las eStores conectadas” en la página 88.
- Coloque el adhesivo de identificación (fig. **6** 6, página 4) en el maestro (fig. **6** 1, página 4).
- Desenchufe el cable USB del maestro.
- Enchufe el cable USB del PC en el puerto USB del primer esclavo.

- Coloque el adhesivo de identificación (fig. **6** 3, página 4) en el esclavo (fig. **6** 2, página 4).
- Configure también los demás esclavos.
- Conecte entre sí las eStores con los cables BUS (fig. **6** 4, página 4).

## 8.8 Configurar las eStores conectadas

- En caso necesario, instale el ModbusReader "mbreader\_setup.exe" del CD de datos en el PC.
- Copie el archivo "eStore\_Configuration\_utility\_FM739.mbc" del CD de datos en el disco duro del PC.
- Abra el archivo "eStore\_Configuration\_utility\_FM739.mbc".
- ✓ Se abre el configurador de la eStore (fig. **7**, página 5).
- Pulse **STRG + F** o seleccione el comando **Find COM** (fig. **8** 1, página 5) en el menú "Connection".
- Seleccione el nuevo número de puerto, en el ejemplo COM18 (fig. **8** 2, página 5).
- Pulse **STRG + P** o seleccione **COM Parameters** (fig. **8** 3, página 5) en el menú "Connections".
- Se abre la ventana **COM Settings**.
- En la lista de selección **Parity** (fig. **8** 4, página 5) seleccione el valor **Even**.
- Haga clic en **OK** (fig. **8** 5, página 5).
- En el campo **Pack Address** introduzca el número de la eStore, por ejemplo "1" para el maestro (fig. **9** 1, página 5).
- Pulse "F2" o seleccione el comando **Connect** (fig. **8** 6, página 5) en el menú "Connection".
- Pulse la tecla Enter.
- En el campo **Total Pack Number** introduzca el número de todas las eStores, por ejemplo "3" si se desea conectar un total de tres aparatos (fig. **9** 2, página 5).
- Pulse la tecla Enter.
- En el campo **Parallel Pack Number** introduzca el número de todas las eStores, por ejemplo "3" si se desea conectar un total de tres aparatos (fig. **9** 3, página 5).



**Nota:** El valor de "Total Pack Number" y el de "Parallel Pack Number" deben ser idénticos.

- Pulse la tecla Enter.
- Introduzca la contraseña **3331** (fig. **9** 4, página 5).
- Pulse la tecla Enter.
- Coloque el adhesivo de identificación (fig. **9** 5, página 5).

**Nota:** El número de la última eStore debe ser idéntico al número total de las eStores.

## 9 Antes del primer uso



### NOTA

Asegúrese de que, una vez instaladas, las eStores estén totalmente cargadas, pues una descarga podría provocar daños.

## 10 Uso de la eStore



### ¡AVISO!

No deje el eStore descargado.

En caso de que el interruptor principal se abra debido a una descarga excesiva, vuelva a cargar la eStore lo más rápido posible (como máximo en 5 días). De lo contrario la eStore conmutará a modo de almacenamiento y puede sufrir daños.



### NOTA

Siga las siguientes indicaciones para prolongar la vida útil de la eStore:

- Evite este tipo de descargas tan grandes que el interruptor principal se abra (véase capítulo “Tensiones de funcionamiento e interruptor principal” en la página 91).
- No cargue la batería ni la almacene a una temperatura excesivamente alta o excesivamente baja;
- Evite que se dé permanentemente una descarga alta (> 200 A).

## 10.1 Tensiones de funcionamiento e interruptor principal

El sistema de gestión de baterías (BMS) de eStore evalúa el estado de cada una de las celdas de la batería y determina cuándo debe protegerse la batería abriendo el interruptor principal.

El interruptor principal trabaja de la forma siguiente:

Estado de eStore	Comportamiento del interruptor principal
Descarga	<p>&lt; 30 A, 11 – 12 V: el interruptor principal se abre</p> <p>&gt; 30 A, 10 – 11,8 V: el interruptor principal se abre</p> <p>Estos valores son orientativos. La tensión de apertura del interruptor principal depende de los parámetros internos, como la tensión y la temperatura de las celdas, así como de la corriente de descarga. Los valores de corriente indicados son para cada eStore individual.</p>
Carga	<p>La tensión de apertura del interruptor principal depende de los parámetros internos, como la tensión y la temperatura de las celdas, así como de la corriente de carga. La tensión máxima antes de que se abra el interruptor principal es de 15,2 V. La carga con los parámetros de carga recomendados en funcionamiento normal garantiza que el interruptor principal permanezca cerrado.</p> <p>Véase capítulo “Cargar eStore” en la página 91 para los parámetros de carga recomendados.</p>

## 10.2 Cargar eStore



### ¡AVISO!

eStore puede cargarse con cargadores como eCore o PerfectCharge MCA (seleccione el modo Power y consulte las instrucciones de uso del cargador para seleccionar la posición adecuada del interruptor dip). Se autoriza la utilización de cargadores de otros fabricantes. El interruptor principal permanece cerrado durante la carga en condiciones normales siempre que se respeten los siguientes parámetros de carga:

- Tensión final de carga: entre 13,8 V y 14,0 V
- Potencia máxima de salida: 40 A por batería eStore conectada (se recomienda 30 A)



### NOTA

Respete las instrucciones de uso del cargador que se utilice.

## 10.3 Sustitución del fusible



### NOTA

Utilice, como máximo, un fusible de 250 A con una distancia de 50,8 mm entre los agujeros.

Para cambiar el fusible, proceda como se indica a continuación:

- ▶ Abra la tapa del polo positivo (capítulo “Abrir la cubierta de los polos” en la página 84).
- ▶ Retire las tuercas y las arandelas del fusible (fig. **10** 1, página 6).
- ▶ Cambie el fusible (fig. **10** 2, página 6).
- ▶ Fije el nuevo fusible con las tuercas y arandelas (fig. **10** 1, página 6). Apriete las tuercas a un par entre 13 y 15 Nm.
- ▶ Cierre la tapa del polo positivo (capítulo “Cerrar la cubierta de los polos” en la página 84).

## 10.4 Almacenamiento de la eStore



### NOTA

- Almacene la eStore en un lugar fresco y seco.
- Evite guardarla de forma permanente a altas temperaturas, pues con ello se acorta su vida útil.
- Recargue la eStore cada 3 meses.
- Si va a almacenarla durante un periodo prolongado (p. ej., si se guarda el vehículo durante el invierno):
  - Retire todos los consumidores.
  - Cargue la eStore.
  - Abra el interruptor principal.Ello evita que la eStore se descargue demasiado y sufra daños.

## 11 Limpieza de la eStore



### ¡AVISO!

No utilice ningún objeto o producto de limpieza corrosivo o duro en la limpieza, ya que podría dañar el producto.

- ▶ Limpie de vez en cuando el producto con un paño húmedo.

## 12 Solución de averías

Avería	Causa	Solución
No hay tensión en los bornes de la batería.	El interruptor principal está apagado (abierto).	➤ Conecte (cierre) el interruptor principal.
	El fusible está estropeado.	➤ Cambie el fusible (véase capítulo "Sustitución del fusible" en la página 92).
	eStore está en el modo de memoria.	➤ Active eStore.
	eStore no está correctamente configurada.	➤ Configure eStore.
	eStore ist stark tiefentladen.	➤ Recargue la eStore con una corriente de carga < 10 A. <b>Nota:</b> No utilice ningún sistema de carga inteligente (estando el interruptor principal encendido, no hay tensión en los bornes. Los cargadores de batería inteligentes no se ponen en funcionamiento si no se dispone de tensión). ➤ Diríjase a un distribuidor autorizado.
	eStore está averiada.	➤ Diríjase a un distribuidor autorizado.

Avería	Causa	Solución
El LED de estado no parpadea.	eStore está en el modo de memoria.	<ul style="list-style-type: none"> <li>▶ Active eStore.</li> </ul>
	eStore está muy descargada.	<ul style="list-style-type: none"> <li>▶ Recargue la eStore con una corriente de carga &lt; 10 A.  <b>Nota:</b> No utilice ningún sistema de carga inteligente (estando el interruptor principal encendido, no hay tensión en los bornes. Los cargadores de batería inteligentes no se ponen en funcionamiento si no se dispone de tensión).</li> <li>▶ Diríjase a un distribuidor autorizado.</li> </ul>
	eStore está averiada.	<ul style="list-style-type: none"> <li>▶ Diríjase a un distribuidor autorizado.</li> </ul>
El LED de estado parpadea en rojo.	eStore está configurada para conectar varias eStores y los cables BUS no están enchufados.	<ul style="list-style-type: none"> <li>▶ Enchufe los cables de la eStore.</li> </ul>
	eStore está casi totalmente descargada.	<ul style="list-style-type: none"> <li>▶ Cargue eStore.</li> </ul>
	eStore está sobrecargada.	<ul style="list-style-type: none"> <li>▶ Desenchufe los cargadores de eStore.</li> <li>▶ Compruebe la tensión de carga del cargador de batería.</li> </ul>
	eStore está averiada.	<ul style="list-style-type: none"> <li>▶ Diríjase a un distribuidor autorizado.</li> </ul>

Avería	Causa	Solución
eStore no reacciona cuando se enciende el interruptor principal.	eStore está en el modo de memoria.	<ul style="list-style-type: none"> <li>▶ Active eStore.</li> </ul>
	eStore4 está casi totalmente descargada.	<ul style="list-style-type: none"> <li>▶ Recargue la eStore con una corriente de carga &lt; 10 A. <b>Nota:</b> No utilice ningún sistema de carga inteligente (estando el interruptor principal encendido, no hay tensión en los bornes. Los cargadores de batería inteligentes no se ponen en funcionamiento si no se dispone de tensión).</li> <li>▶ Diríjase a un distribuidor autorizado.</li> </ul>
	eStore está configurada como esclavo y no como maestro.	<ul style="list-style-type: none"> <li>▶ Utilice el interruptor principal del maestro eStore (eStore configurada como #1)</li> </ul>
	La configuración para conectar varias eStores es incorrecta.	<ul style="list-style-type: none"> <li>▶ Compruebe la configuración.</li> </ul>
El interruptor principal se conecta (se cierra) y se vuelve a desconectar (abrir) inmediatamente.	eStore está casi totalmente descargada.	<ul style="list-style-type: none"> <li>▶ Cargue eStore.</li> </ul>
	eStore está sobrecargada.	<ul style="list-style-type: none"> <li>▶ Desenchufe los cargadores de eStore.</li> <li>▶ Compruebe la tensión de carga del cargador de batería.</li> </ul>
	La corriente de carga es demasiado alta.	<ul style="list-style-type: none"> <li>▶ Disminuya la corriente de carga.</li> </ul>
	La corriente de descarga es demasiado alta.	<ul style="list-style-type: none"> <li>▶ Reduzca la carga de solicitud.</li> <li>▶ Compruebe la temperatura de la eStore.</li> <li>▶ Cargue eStore.</li> </ul>
	eStore está averiada.	<ul style="list-style-type: none"> <li>▶ Diríjase a un distribuidor autorizado.</li> </ul>

Avería	Causa	Solución
"Warning eStore" aparece en el panel de control de eCore.	La temperatura de eStore es demasiado baja.	<ul style="list-style-type: none"> <li>➤ Compruebe el LED de estado del cargador.</li> <li>➤ Compruebe la temperatura de eStore.</li> <li>➤ Caliente el entorno.</li> </ul>
	La temperatura de eStore es demasiado alta.	<ul style="list-style-type: none"> <li>➤ Compruebe el LED de estado del cargador.</li> <li>➤ Compruebe la temperatura de eStore.</li> <li>➤ Enfríe el entorno.</li> </ul>

## 13 Garantía legal

Rige el plazo de garantía legal. Si el producto presenta algún defecto, diríjase a la sucursal del fabricante de su país (ver direcciones en el dorso de estas instrucciones) o a su establecimiento especializado.

Para la tramitación de la reparación y de la garantía debe enviar también los siguientes documentos:

- una copia de la factura con fecha de compra,
- el motivo de la reclamación o una descripción de la avería.



## 14 Gestión de residuos

► Deseche el material de embalaje en el contenedor de reciclaje correspondiente.



Cuando vaya a desechar definitivamente el producto, infórmese en el centro de reciclaje más cercano o en un comercio especializado sobre las normas pertinentes de eliminación de materiales.



### ¡Proteja el medio ambiente!

Las baterías y pilas no son basura doméstica.

Entregue las baterías defectuosas o las pilas vacías en un establecimiento o depositelas en un contenedor especializado.

## 15 Datos técnicos

	<b>eStore</b>
N.º de art.:	9102900224
Tensión nominal:	13,2 V---
Rango de temperatura de funcionamiento (en caso de descarga):	de -30 °C (con rendimiento reducido) a +55 °C
Rango de temperatura para la carga Con eCore: Con otros cargadores:	de -10 °C a +55 °C de 0 °C a +40 °C
Capacidad nominal:	100 Ah
Dimensiones L x A x H:	315 x 160 x 285 mm
Peso:	17 kg
Homologación/certificados:	<b>CE</b>
	IEC 62133 UN 38.3 UN 3480

**Por favor, leia atentamente este manual antes da montagem e colocação em funcionamento do aparelho e guarde-o em local seguro. Em caso de transmissão do produto, entregue o manual ao novo utilizador.**

## Índice

1	Explicação dos símbolos . . . . .	99
2	Indicações de segurança gerais . . . . .	100
3	Material fornecido . . . . .	101
4	Acessórios . . . . .	102
5	Utilização adequada . . . . .	103
6	Descrição técnica . . . . .	103
7	Fixar a eStore . . . . .	105
8	Conetar a eStore . . . . .	106
9	Antes da primeira utilização . . . . .	111
10	Utilizar a eStore . . . . .	111
11	Limpar a eStore . . . . .	114
12	Eliminar falhas . . . . .	114
13	Garantia . . . . .	117
14	Eliminação . . . . .	117
15	Dados técnicos . . . . .	118

# 1 Explicação dos símbolos

**PERIGO!**

**Indicação de segurança:** o incumprimento causa a morte ou ferimentos graves.

**AVISO!**

**Indicação de segurança:** o incumprimento pode provocar a morte ou ferimentos graves.

**PRECAUÇÃO!**

**Indicação de segurança:** o incumprimento pode provocar ferimentos.

**NOTA!**

O incumprimento pode causar danos materiais e pode prejudicar o funcionamento do produto.

**OBSERVAÇÃO**

Informações suplementares sobre a operação do produto.

## 2 Indicações de segurança gerais

O fabricante não se responsabiliza por danos nos seguintes casos:

- Danos no produto resultantes de influências mecânicas e sobretensões e excesso de corrente
- Alterações ao produto sem autorização expressa do fabricante
- Utilização para outras finalidades que não as descritas no manual de instruções

Tenha em atenção as seguintes medidas de segurança fundamentais durante a utilização de aparelhos elétricos para a proteção contra:

- choque elétrico
- perigo de incêndio
- ferimentos

### 2.1 Princípios básicos de segurança



#### PERIGO!

- Em caso de um incêndio utilize um extintor que seja adequado para aparelhos elétricos.



#### AVISO!

- Se o aparelho ou o cabo de conexão apresentar danos visíveis, não deve ser colocado em funcionamento.
- As reparações neste aparelho apenas devem ser realizadas por técnicos devidamente qualificados. As reparações inadequadas podem levar a perigos graves.
- As pessoas (incluindo crianças) que não estão aptas a utilizar o aparelho de modo seguro devido a incapacidade física, sensorial ou mental ou devido à sua inexperiência, não devem utilizar o aparelho sem a supervisão ou as instruções de uma pessoa responsável.
- **Os aparelhos elétricos não são brinquedos!**  
Guarde e utilize o aparelho fora do alcance das crianças.
- As crianças devem ser supervisionadas para assegurar que não brinquem com o aparelho.



#### NOTA!

- Antes da colocação em funcionamento, compare a indicação da tensão na placa de características com a alimentação de energia existente.

- Preste atenção para que outros objetos **não** provoquem curto-circuito nos contactos do aparelho.
- Preste atenção para que o borne positivo e o borne negativo **nunca** se toquem.
- Se os cabos tiverem de ser passados por paredes com arestas vivas, então utilize tubos vazios ou tubos de passar cabos.
- Não coloque os cabos soltos ou muito dobrados em materiais eletrocondutores (metal).

## 2.2 Segurança durante a utilização do aparelho



### PERIGO! Perigo de morte devido a choque elétrico!

- Nunca toque nos cabos não blindados apenas com as mãos. Isto aplica-se, em especial, a aparelhos com rede de corrente alterna.



### AVISO!

- Use o aparelho exclusivamente em divisões fechadas e bem ventiladas.



### PRECAUÇÃO!

- **Não** opere o aparelho
  - em ambiente salífero, húmido ou molhado
  - na proximidade de vapores agressivos
  - na proximidade de materiais inflamáveis
  - em atmosferas potencialmente explosivas
- Não puxe pelos cabos.

## 3 Material fornecido

- Bateria eStore
- Manual de montagem e de instruções

## 4 Acessórios

Disponíveis como acessórios e peças de substituição (não incluídas no material fornecido):

<b>Designação das peças</b>	<b>Número de artigo</b>
Conjunto de cabos BUS eStore RJ11 e autocolante de ID eStore Para a ligação de vários eStores entre si se o bus eStore estiver em utilização	9102900279
Conjunto de configuração eStore Cabo USB e CD de dados Para a configuração de vários eStores – apenas instalador	9102900281
Conjunto de cabos BUS eStore eCore Cabo LAN CAT5, RJ45 Para a ligação entre eStore e eCore	9102900280
Cabo BUS eStore MPC01 Para a ligação entre eStore e MPC01	9102200197
Cabo BUS MCA eStore Para a ligação entre eStore e carregadores MCA se não for utilizado nenhum MPC01	9103530048
Fusível de substituição 250 A Séria Littelfuse Mega, distância entre furos 50,8 mm	9102900282
Conjunto de grampos de fixação eStore – vertical Para a montagem vertical do eStore	9102900289
Conjunto de grampos de fixação eStore – horizontal Para a montagem horizontal do eStore	9102900290

## 5 Utilização adequada

O eStore assume-se como uma fonte de tensão de 12 V em instalações elétricas de autocaravanas, caravanas, utilitários e aplicações estacionárias. O eCore não pode ser utilizado para fins médicos.

Em combinação com um conversor, p.ex. o eCore, podem ser alimentados também aparelhos com 230 V~.

Não é possível uma utilização como bateria de arranque. A eStore não pode ser ligada diretamente à bateria de arranque. Através de uma ligação em paralelo de várias baterias eStore, a corrente disponível pode ser suficiente para suportar a bateria de arranque. Podem ser ligados entre si até oito eStores em paralelo para aumentar a capacidade total instalada até 800 Ah.

A eStore pode ser transportada com as pegas de suporte montadas.

## 6 Descrição técnica

### 6.1 Descrição geral

A eStore é uma bateria de iões de lítio isenta de manutenção, adequada para alimentação de tensão de sistemas de 12 V $\overline{=}$ . A eStore dispõe de um interruptor interno e de um fusível interno de 250 A.

Em combinação com um sistema de gestão de baterias, a eStore oferece as seguintes funções:

- Monitorização das células da bateria
- Monitorização das tensão da bateria
- Monitorização da temperatura das células da bateria através de um sensor de temperatura integrado
- Comunicação entre várias baterias eStore

O eStore pode ser carregado com carregadores como eCore ou PerfectCharge da série MCA. É permitido utilizar carregadores de terceiros. Para garantir que o interruptor principal interno permanece fechado durante o carregamento em condições normais, é necessário que o carregador cumpra os seguintes requisitos:

1. Tensão final de carga: entre 13,8 V e 14,0 V
2. Potência de saída máxima: 40 A por eStore conetada (recomendação de 30 A)

Para aumentar a capacidade total, podem ser ligadas até 8 eStores em paralelo. A corrente de saída máxima conjunta não pode exceder 250 A.

**OBSERVAÇÃO**

Uma eStore pode fornecer corrente de 250 A durante um curto período de tempo. A corrente nominal não deverá exceder 200 A. Uma corrente de descarga contínua de mais de 200 A a partir de uma eStore pode conduzir a um tempo de vida útil mais curto. Utilize duas ou mais eStores, se for necessária uma corrente contínua superior a 200 A.

## 6.2 Elementos de indicação e de comando

Pos. na fig. 1, página 3	Designação	Explicação
1	Interruptor principal	Ativa (fecha) e desativa (abre) o interruptor principal interno
2	LED de estado	Desligado: o sistema de gestão da bateria está desligado devido a modo de armazenamento ativado ou descarregamento excessivo
		Pisca a verde: Sistema de gestão de baterias ativo, o interruptor principal está ativado ou ligado (fechado)
		Pisca a amarelo: Sistema de gestão de baterias ativo, o interruptor principal está desativado ou desligado (aberto)
		Pisca a vermelho: Falha de funcionamento
3	Interface BUS eStore	
4	Interface LIN para ligação a carregadores PerfectCharge MCA e MPC01	
5	Interface USB para a configuração	
6	Interface bus CAN	



## 6.3 Fusível e conexões

Pos. na fig. 2, página 3	Designação	Explicação
1	Polo negativo	Borne M8 para carregadores e consumidores
2	Fusível interno	Perfurações de fixação de 250 A com uma distância entre furos padrão de 50,8 mm
3	Polo positivo	Borne M8 para carregadores e consumidores

## 7 Fixar a eStore



### AVISO!

A eStore não pode ser fixa com cintas ou outras por cima da cobertura de plástico, uma vez que isso iria danificar a eStore.



### OBSERVAÇÃO

Durante a utilização de vários eStores ligadas, tenha em atenção o seguinte: Configure e marque as eStores antes da montagem no veículo, ver capítulo “Ligar vários eStores” na página 109.

### Tenha em atenção as seguintes indicações referentes ao local de montagem

- O eStore pode ser montado em posição vertical (fig. 11, página 6) ou horizontal (fig. 12, página 7) e sobre uma superfície plana e estável.
  - A eStore não pode ser montada na proximidade de materiais inflamáveis.
  - O local de montagem deverá ser protegido de humidade e pó.
  - Deixe um espaço livre de, pelo menos, 2 cm em redor do eStore e assegure uma boa ventilação. A instalação deve impedir temperaturas baixas durante o funcionamento de inverno (carregamento) para assegurar o funcionamento contínuo.
  - Por motivos de segurança, durante a montagem, preste atenção (ao perfurar e aparafusar, etc.), à disposição dos feixes de cabos, condutores e outros componentes não visíveis, que se encontram na área de montagem!
  - Se instalar mais de uma eStore, deixe um espaço de, pelo menos, 1 cm entre as eStores.
- Selecione um local de montagem adequado e fixe aí a eStore, de forma segura.

- ▶ **Montagem vertical:** utilize os pés de fixação integrados (fig. **11**, página 6). Os grampos de fixação adequados estão incluídos como acessórios (ver capítulo “Acessórios” na página 102).
- ▶ **Montagem horizontal:** fixe o eStore com duas cintas ou fitas sobre o aparelho (fig. **12**, página 7). Conduza-as entre as pegas e os pés de fixação e fixe-as à superfície de montagem. Assim é garantido que o eStore não se desloca quando o veículo está em movimento. Os grampos de fixação adequados estão incluídos como acessórios (ver capítulo “Acessórios” na página 102).

## 8 Conetar a eStore

### 8.1 Abrir a cobertura do polo

- ▶ Desbloqueie o fecho, pressionando o pino no centro do fecho ligeiramente para baixo (fig. **3** 1, página 3).  
Preste atenção para não o pressionar completamente.
- ▶ Abra a tampa (fig. **3** 2, página 3).
- ▶ Retire o fecho desbloqueado (fig. **3** 3, página 3).
- ▶ Preste atenção às posições do fecho (fig. **4**, página 4):
  - 1: desbloqueado
  - 2: pronto a utilizar
  - 3: bloqueado

### 8.2 Fechar a cobertura do polo

- ▶ Desloque o pino do fecho para trás.
- ▶ Coloque o fecho na posição pronto a utilizar (fig. **5** 1, página 4).
- ▶ Feche a tampa (fig. **5** 2, página 4).
- ▶ Bloqueie o fecho, pressionando o pino no centro da tampa ligeiramente para baixo (fig. **5** 3, página 4).  
Preste atenção para não o pressionar completamente.

## 8.3 Ativar a eStore



### OBSERVAÇÃO

A eStore é fornecida no modo de armazenamento que evita uma descarga automática durante o armazenamento. Para utilizar a eStore, tem de a ativar primeiro.

- Abra a cobertura do polo (ver capítulo “Abrir a cobertura do polo” na página 106).
- Ligue o polo positivo (fig. **2** 1, página 3) e o polo negativo (fig. **2** 2, página 3) com uma bateria de corrente baixa de 12 V $\equiv$  ou um carregador.
- ✓ O LED de estado (fig. **1** 2, página 3) pisca a amarelo.
- ✓ A eStore está ativada.

## 8.4 Conetar o cabo de conexão



### NOTA!

- Conete apenas aparelhos com uma corrente nominal de 12 V $\equiv$ .
- Quando conetar aparelhos à eStore, tenha atenção à polaridade correta. Para esse efeito, preste também atenção ao respetivo manual de instruções.
- Certifique-se de que os aparelhos que pretende conetar estão desligados.

- Ligue (abra) o interruptor principal da eStore, pressionando o interruptor principal (fig. **1** 1, página 3).
- Abra a tampa (capítulo “Abrir a cobertura do polo” na página 106).
- Ligue o cabo positivo com o polo positivo (fig. **2** 3, página 3).
- Aperte o parafuso do polo com um binário de aperto de 13 – 15 Nm.
- Feche a tampa (capítulo “Fechar a cobertura do polo” na página 106).
- Abra a tampa do polo negativo (capítulo “Abrir a cobertura do polo” na página 106).
- Ligue o cabo negativo com o polo negativo (fig. **2** 1, página 3).
- Aperte o parafuso do polo com um binário de aperto de 13 – 15 Nm.

- Feche a tampa do polo negativo (capítulo “Fechar a cobertura do polo” na página 106).
- Desligue (feche) o interruptor principal da eStore, pressionando o interruptor principal (fig. 1 1, página 3).

## 8.5 Conetar os consumidores

- Desligue todos os aparelhos, especialmente os que estão ligados com a eStore.
- Ligue (abra) o interruptor principal da eStore, pressionando o interruptor principal (fig. 1 1, página 3).
- Conete o aparelho de 12 V à eStore.
- Desligue (feche) o interruptor principal da eStore, pressionando o interruptor principal (fig. 1 1, página 3).
- Ligue o aparelho de 12 V.

## 8.6 Conetar o cabo de dados

Pode ligar a eStore para a comunicação de dados da seguinte forma:

- a uma eCore da através do bus CAN
- a um carregador PerfectCharge MCA através de Bus LIN/CI
- a um carregador PerfectCharge MCA através de Bus LIN/CI através de MPC01

Através da ligação de dados, podem ser controlados e apresentados parâmetros como tensão, temperatura e estado de carga. Para mais detalhes, consulte, por favor, os respetivos manuais de instruções dos aparelhos.

- Estabeleça a ligação de dados de acordo com a sua configuração de aparelho.

## 8.7 Ligar vários eStores

Podem ser ligadas até oito eStores em paralelo entre si, para aumentar a capacidade total até 800 Ah. A figura apresenta uma ligação de dados de três eStores ligadas (fig. **6**, página 4).



### OBSERVAÇÃO

- Para ligar várias eStores entre si necessita de, pelo menos, um cabo BUS e o kit de configuração eStore (ver capítulo “Acessórios” na página 102).
- As eStores ligadas entre si, têm de ser configuradas com o configurador da eStore (capítulo “Ligar e configurar o cabo BUS” na página 109). Se utilizar apenas uma única eStore, não necessita de configurar nada. A eStore vem pré-configurada, a partir de fábrica, para utilização como bateria individual.
- Certifique-se de que todas as eStores estão totalmente carregadas após a instalação.

A primeira eStore serve como mestre. Esta cumpre as seguintes funções:

- comanda o interruptor principal das outras eStores (fig. **6**, página 4).
- liga os carregadores através de CAN/LIN.

As restantes eStores são comandadas pelo mestre como escravas.

### Ligar e configurar o cabo BUS

Para a configuração, necessita de um PC com conexão USB e do configurador eStore.

Consoante a situação de montagem, é aconselhável configurar e identificar as eStores antes da montagem no veículo.

- Certifique-se de que a eStore não se encontra no modo de armazenamento (LED de estado pisca).
- Insira o cabo USB do PC na interface USB (fig. **1** 5, página 3) da primeira eStore (mestre).
- Configure o mestre, ver capítulo “Configurar eStores ligadas” na página 110.
- Afixe o autocolante de ID (fig. **6** 6, página 4) no mestre (fig. **6** 1, página 4).
- Retire o cabo USB do mestre.
- Insira o cabo USB do PC na interface USB do primeiro escravo.
- Afixe o autocolante de ID (fig. **6** 3, página 4) no escravo (fig. **6** 2, página 4).

- Configure igualmente os restantes escravos.
- Ligue as eStores com os cabos BUS (fig. **6** 4, página 4).

## 8.8 Configurar eStores ligadas

- Instale igualmente o ModbusReader “mbreader\_setup.exe” no PC, a partir do CD de dados.
- Copie o ficheiro “eStore\_Configuration\_utility\_FM739.mbc” a partir do CD de dados para o disco rígido do PC.
- Abra o ficheiro “eStore\_Configuration\_utility\_FM739.mbc”.
- ✓ O configurador abre-se (fig. **7**, página 5).
- Prima **CTRL+F** ou selecione no menu “Connection” o comando **Find COM** (fig. **8** 1, página 5).
- Selecione o novo número de porta, no exemplo COM18 (fig. **8** 2, página 5).
- Prima **CTRL+ P** ou selecione no menu “Connection” **COM Parameters** (fig. **8** 3, página 5).
- A janela **COM Settings** abre-se.
- A partir da lista de seleção **Parity** (fig. **8** 4, página 5) selecione o valor **Even**.
- Clique em **OK** (fig. **8** 5, página 5).
- No campo **Pack Address** insira o número da eStore, p.ex. “1” para o mestre (fig. **9** 1, página 5).
- Prima “F2” ou selecione no menu “Connection” o comando **Connect** (fig. **8** 6, página 5).
- Prima a tecla Enter.
- No campo **Total Pack Number** insira a quantidade de todas as eStores, p.ex. “3”, se pretender conetar três aparelhos no total (fig. **9** 2, página 5).
- Prima a tecla Enter.
- No campo **Parallel Pack Number** insira a quantidade de todas as eStores, p.ex. “3”, se pretender conetar três aparelhos no total (fig. **9** 3, página 5).
- Nota:** Total Pack Number e Parallel Pack Number têm de ser idênticos.
- Prima a tecla Enter.
- Insira a palavra-passe **3331** (fig. **9** 4, página 5).

- ▶ Prima a tecla Enter.
- ▶ Afixe o autocolante de ID (fig. **9** 5, página 5).

**Nota:** O número da última eStore tem de ser idêntico à quantidade total das eStores.

## 9 Antes da primeira utilização



### OBSERVAÇÃO

Certifique-se de que a eStore individual ou várias eStores são completamente carregadas após a instalação, uma vez que, caso contrário, uma descarga poderá provocar danos.

## 10 Utilizar a eStore



### NOTA!

Não deixe o eStore descarregado.

Se o interruptor principal for aberto devido a descarga excessiva, recarregue o eStore tão rapidamente quanto possível (máximo 5 dias). Caso contrário, o eStore comuta para o modo de armazenamento e pode ficar danificado.



### OBSERVAÇÃO

Preste atenção às seguintes indicações de forma a prolongar o tempo de vida útil da eStore:

- Evite um descarregamento tão profundo que o interruptor principal se abra (ver capítulo “Tensões de funcionamento e interruptor principal” na página 112).
- Durante o processo de carga ou de armazenamento, evite temperaturas extremamente elevadas ou baixas.
- Evite uma elevada descarga contínua (> 200 A).

## 10.1 Tensões de funcionamento e interruptor principal

O sistema de gestão da bateria eStore (BMS) avalia o estado de cada célula da bateria para determinar quando a bateria deve ser protegida através da abertura do interruptor principal.

O interruptor principal funciona do seguinte modo:

Estado do eStore	Comportamento do interruptor principal
Descarregamento	<p>&lt; 30 A, 11 – 12 V: Interruptor principal aberto</p> <p>&gt; 30 A, 10 – 11,8 V: interruptor principal aberto</p> <p>Estes valores são de referência e servem apenas de orientação. A tensão de abertura do interruptor principal depende de parâmetros internos, como tensão e temperatura das células, e da corrente de descarga. Os valores de corrente indicados são válidos para eStore individuais.</p>
Carregamento	<p>A tensão de abertura do interruptor principal depende de parâmetros internos, como tensão e temperatura das células, e da corrente de carga. A tensão máxima antes de o interruptor principal se abrir é de 15,2 V. O carregamento com os parâmetros de carregamento recomendados em funcionamento normal garante que o interruptor principal permanece fechado.</p> <p>Ver capítulo “Carregar a eStore” na página 112 para os parâmetros de carregamento recomendados.</p>

## 10.2 Carregar a eStore



### NOTA!

O eStore pode ser carregado com carregadores como eCore ou PerfectCharge MCA (selecione o Power Mode; ver manual de instruções do carregador para a posição correspondente do interruptor DIP). É permitido utilizar carregadores de terceiros. O interruptor principal permanece fechado durante o carregamento em condições normais se os seguintes parâmetros do carregador forem cumpridos:

- Tensão final de carga: entre 13,8 V e 14,0 V
- Potência de saída máxima: 40 A por eStore conetada (recomendação de 30 A)



### OBSERVAÇÃO

Preste atenção também ao manual de instruções do carregador utilizado.



## 10.3 Substituir o fusível



### OBSERVAÇÃO

Utilize, no máximo, um fusível de 250 A com uma distância entre furos de 50,8 mm.

Proceda da seguinte forma para substituir o fusível:

- ▶ Abra a tampa do polo positivo (capítulo “Abrir a cobertura do polo” na página 106).
- ▶ Retire as porcas e as arruelas de segurança do dispositivo de fixação (fig. **10** 1, página 6).
- ▶ Substitua o dispositivo de fixação (fig. **10** 2, página 6).
- ▶ Fixe o novo dispositivo de fixação com as porcas e arruelas (fig. **10** 1, página 6). Aperte as porcas entre 13 e 15 Nm.
- ▶ Feche a tampa do polo positivo (capítulo “Fechar a cobertura do polo” na página 106).

## 10.4 Armazenar eStore



### OBSERVAÇÃO

- Armazene o eStore num local fresco e seco.
  - Evite o armazenamento a temperaturas elevadas contínuas. Essa situação encurta o tempo de vida útil.
  - Carregue o eStore a cada 3 meses.
  - Para um armazenamento mais prolongado (por ex. pausa de inverno do veículo):
    - Remova todos os consumidores.
    - Carregue o eStore.
    - Abra o interruptor principal.
- Isto impede um descarregamento excessivo e danos no eStore.

## 11 Limpar a eStore



### NOTA!

Não utilizar objectos afiados ou duros ou agentes de limpeza para a limpeza, uma vez que podem ser causados danos no produto.

- De vez em quando, limpe o aparelho com um pano húmido.

## 12 Eliminar falhas

Falha	Causa	Eliminação
Nos bornes da bateria não existe tensão.	O interruptor principal está desligado (aberto).	► Ligue (feche) o interruptor principal.
	O fusível está avariado.	► Substitua o fusível (ver capítulo "Substituir o fusível" na página 113).
	A eStore está no modo de armazenamento.	► Ative a eStore.
	A eStore não está corretamente configurada.	► Configure a eStore.
	A eStore está completamente descarregada.	<ul style="list-style-type: none"> <li>► Carregue a eStore com uma corrente de carga de &lt; 10 A.</li> <li><b>Nota:</b> Não utilize quaisquer sistemas de carregamento inteligentes (com o interruptor principal ligado não existe tensão nos bornes. Os carregadores de bateria inteligentes não arrancam se não existir tensão).</li> <li>► Entre em contacto com um revendedor autorizado</li> </ul>
	A eStore está avariada.	► Entre em contacto com um revendedor autorizado.

Falha	Causa	Eliminação
O LED de estado não pisca.	A eStore está no modo de armazenamento.	▶ Ative a eStore.
	O eStore está extremamente descarregado.	▶ Carregue a eStore com uma corrente de carga de < 10 A. <b>Nota:</b> Não utilize quaisquer sistemas de carregamento inteligentes (com o interruptor principal ligado não existe tensão nos bornes. Os carregadores de bateria inteligentes não arrancam se não existir tensão). ▶ Entre em contacto com um revendedor autorizado
	A eStore está avariada.	▶ Entre em contacto com um revendedor autorizado.
O LED de estado pisca a vermelho	A eStore está configurada para a conexão de várias eStores e os cabos BUS não estão inseridos.	▶ Insira o cabo eStore.
	A eStore está completamente descarregada.	▶ Carregue a eStore.
	A eStore está sobrecarregada.	▶ Separe os carregadores da eStore. ▶ Verifique a tensão de carga do carregador da bateria.
	A eStore está avariada.	▶ Entre em contacto com um revendedor autorizado.

Falha	Causa	Eliminação
<p>A eStore não reage à ligação do interruptor principal.</p>	<p>A eStore está no modo de armazenamento.</p>	<ul style="list-style-type: none"> <li>▶ Ative a eStore.</li> </ul>
	<p>A eStore4 está completamente descarregada.</p>	<ul style="list-style-type: none"> <li>▶ Carregue a eStore com uma corrente de carga de &lt; 10 A. <b>Nota:</b> Não utilize quaisquer sistemas de carregamento inteligentes (com o interruptor principal ligado não existe tensão nos bornes. Os carregadores de bateria inteligentes não arrancam se não existir tensão).</li> <li>▶ Entre em contacto com um revendedor autorizado</li> </ul>
	<p>A eStore está configurada como escrava e não como mestre.</p>	<ul style="list-style-type: none"> <li>▶ Utilize o interruptor principal do mestre da eStore (eStore configurada como #1)</li> </ul>
	<p>A configuração para a conexão de vários eStores está incorreta.</p>	<ul style="list-style-type: none"> <li>▶ Verifique a configuração.</li> </ul>
	<p>A eStore está avariada.</p>	<ul style="list-style-type: none"> <li>▶ Entre em contacto com um revendedor autorizado.</li> </ul>
<p>O interruptor principal liga (fecha-se) e volta a desligar-se (abre) imediatamente.</p>	<p>A eStore está completamente descarregada.</p>	<ul style="list-style-type: none"> <li>▶ Carregue a eStore.</li> </ul>
	<p>A eStore está sobrecarregada.</p>	<ul style="list-style-type: none"> <li>▶ Separe os carregadores da eStore.</li> <li>▶ Verifique a tensão de carga do carregador da bateria.</li> </ul>
	<p>A corrente de carga é demasiado elevada.</p>	<ul style="list-style-type: none"> <li>▶ Reduza a corrente de carga.</li> </ul>
	<p>A corrente de descarga é demasiado elevada.</p>	<ul style="list-style-type: none"> <li>▶ Reduza a carga.</li> <li>▶ Verifique a temperatura da eStore.</li> <li>▶ Carregue a eStore.</li> </ul>
	<p>A eStore está danificada.</p>	<ul style="list-style-type: none"> <li>▶ Entre em contacto com um revendedor autorizado.</li> </ul>

Falha	Causa	Eliminação
No painel de controlo do eCore surge “Warning eStore”	A temperatura da eStore é demasiado baixa.	<ul style="list-style-type: none"> <li>➤ Verifique o estado LED do carregador.</li> <li>➤ Verifique a temperatura da eStore.</li> <li>➤ Aqueça o ambiente.</li> </ul>
	A temperatura da eStore é demasiado elevada.	<ul style="list-style-type: none"> <li>➤ Verifique o estado LED do carregador.</li> <li>➤ Verifique a temperatura da eStore.</li> <li>➤ Proceda à refrigeração do ambiente.</li> </ul>

## 13 Garantia

É válido o prazo de garantia legal. Se o produto estiver com defeito, por favor, dirija-se à representação do fabricante no seu país (endereços, ver verso do manual) ou ao seu revendedor.

Para fins de reparação ou de garantia, terá de enviar os seguintes documentos em conjunto:

- uma cópia da factura com a data de aquisição,
- um motivo de reclamação ou uma descrição da falha.

## 14 Eliminação

- Sempre que possível, coloque o material de embalagem no respectivo contentor de reciclagem.



Para colocar o aparelho definitivamente fora de funcionamento, por favor, informe-se junto do centro de reciclagem mais próximo ou revendedor sobre as disposições de eliminação aplicáveis.




### Proteja o meio ambiente!

As baterias e pilhas não devem ser eliminadas em conjunto com o lixo doméstico.

Entregue as baterias e pilhas danificadas ou gastas no ponto de compra ou num pilhão.

## 15 Dados técnicos

	<b>eStore</b>
N.º art.:	9102900224
Tensão nominal:	13,2 V $\equiv$
Intervalo de temperatura de funcionamento (durante o descarregamento):	-30 °C (com desempenho reduzido) a +55 °C
Gama de temperatura para o carregamento com o eCore: com outros carregadores:	-10 °C a +55 °C 0 °C a +40 °C
Capacidade nominal:	100 Ah
Dimensões C x L x A	315 x 160 x 285 mm
Peso:	17 kg
Verificação/Certificado:	
	IEC 62133 UN 38.3 UN 3480

**Prima di effettuare il montaggio e la messa in funzione leggere accuratamente questo manuale di istruzioni, conservarlo e in caso di trasmissione del prodotto, consegnarlo all'utente successivo.**

## Indice

1	Spiegazione dei simboli . . . . .	120
2	Indicazioni di sicurezza generali. . . . .	121
3	Dotazione . . . . .	122
4	Accessori . . . . .	123
5	Conformità d'uso . . . . .	124
6	Descrizione tecnica. . . . .	125
7	Fissaggio dell'eStore . . . . .	127
8	Collegamento dell'eStore . . . . .	128
9	Prima della messa in funzione iniziale. . . . .	132
10	Utilizzo dell'eStore . . . . .	133
11	Pulizia dell'eStore . . . . .	136
12	Risoluzione dei guasti . . . . .	136
13	Garanzia . . . . .	139
14	Smaltimento . . . . .	139
15	Specifiche tecniche. . . . .	140

# 1 Spiegazione dei simboli

**PERICOLO!**

**Avviso di sicurezza:** la mancata osservanza di questo avviso comporta ferite gravi anche mortali.

**AVVERTENZA!**

**Avviso di sicurezza:** la mancata osservanza di questo avviso può causare ferite gravi anche mortali.

**ATTENZIONE!**

**Avviso di sicurezza:** la mancata osservanza di questo avviso può essere causa di lesioni.

**AVVISO!**

La mancata osservanza di questa nota può causare danni materiali e compromettere il funzionamento del prodotto.

**NOTA**

Informazioni integranti relative all'impiego del prodotto.



## 2 Indicazioni di sicurezza generali

Il produttore non si assume nessuna responsabilità per danni nei seguenti casi:

- danni all'apparecchio dovuti a influenze meccaniche, sovratensioni e sovracorrente
- modifiche al prodotto senza esplicita autorizzazione del produttore
- impiego per altri fini rispetto a quelli descritti nel manuale di istruzioni.

Durante l'uso di apparecchi elettrici attenersi alle misure di sicurezza fondamentali descritte qui di seguito per proteggersi da:

- scosse elettriche
- pericolo di incendio
- lesioni

### 2.1 Sicurezza di base



#### PERICOLO!

- In caso di incendio usare un estintore per apparecchi elettrici.



#### AVVERTENZA!

- Se il cavo di allacciamento o l'apparecchio presentano danni visibili, evitare di mettere in funzione l'apparecchio.
- Questo apparecchio deve essere riparato solo da personale specializzato. Le riparazioni effettuate in modo scorretto possono causare rischi enormi.
- Persone (bambini compresi) che a causa delle proprie capacità fisiche, sensoriali o mentali, oppure che a causa della propria inesperienza e scarsa conoscenza non siano in grado di utilizzare il dispositivo in modo sicuro, devono evitare di utilizzarlo se non in presenza e seguendo le istruzioni di una persona per loro responsabile.
- **Gli elettrodomestici non sono giocattoli!**  
Conservare e utilizzare il dispositivo lontano dalla portata dei bambini.
- Sorvegliare i bambini per evitare che giochino con l'apparecchio.



#### AVVISO!

- Prima della messa in funzione, confrontare i dati della tensione riportati sulla targhetta con quelli delle prese e degli attacchi disponibili.
- Assicurarsi che altri oggetti **non** causino un cortocircuito sui contatti del dell'apparecchio.

- Fare attenzione che il morsetto positivo e quello negativo non entrino **mai** in contatto.
- Se i cavi devono passare attraverso pareti con spigoli vivi, utilizzare tubi vuoti o canaline passacavi.
- Non posare i cavi in modo malfermo o con forti pieghe sui materiali che conducono elettricità (metalli).

## 2.2 Sicurezza durante il funzionamento dell'apparecchio



### **PERICOLO! Pericolo di morte a causa di scossa elettrica!**

- Non toccare mai i cavi nudi a mani nude. Questo vale soprattutto per dispositivi collegati alla rete di corrente alternata.



### **AVVERTENZA!**

- Utilizzare l'apparecchio esclusivamente in ambienti chiusi ben aerati.



### **ATTENZIONE!**

- **Non** azionare l'apparecchio
  - in ambienti salini, umidi o bagnati,
  - in prossimità di vapori aggressivi,
  - in prossimità di materiali infiammabili,
  - in zone a rischio di esplosione.
- Non tirare i cavi.

## 3 Dotazione

- Batteria eStore
- Istruzioni per l'uso e il montaggio

## 4 Accessori

Disponibili come accessori e pezzi di ricambio (non in dotazione):

Denominazione pezzo	Numero articolo
Kit cavo BUS eStore	9102900279
Adesivo di identificazione per RJ11 e eStore Per il collegamento fra diversi eStore, quando viene utilizzato il bus eStore	
Kit di configurazione eStore	9102900281
Cavo USB e CD dadi Per la configurazione di diversi eStore – solo per l'installatore	
Kit cavo BUS eStore ed eCore	9102900280
Cavo LAN CAT5, RJ45 Per il collegamento fra eStore ed eCore	
Cavo BUS eStore e fig. <b>12</b> , pagina 7 Per il collegamento fra eStore e fig. <b>12</b> , pagina 7	9102200197
Cavo BUS per eStore e MCA Per il collegamento fra eStore e i caricatori MCA, quando non viene utilizzato nessun fig. <b>12</b> , pagina 7	9103530048
Fusibile sostitutivo 250 A Serie Littelfuse Mega, distanza fori 50,8 mm	9102900282
Set per staffa di sostegno per eStore verticale Per il montaggio verticale di eStore	9102900289
Set per staffa di sostegno per eStore orizzontale Per il montaggio orizzontale di eStore	9102900290

## 5 Conformità d'uso

L'eStore serve come generatore di tensione da 12 V in impianti elettrici di caravan, camper, veicoli commerciali e applicazioni residenziali. L'eCore non può essere utilizzato a fini medici.

In collegamento con un inverter, es. eCore, è possibile alimentare anche dispositivi con 230 V~.

Non è possibile l'utilizzo come batteria d'avviamento. L'eStore non può essere collegato direttamente alla batteria d'avviamento. Mettendo in parallelo più batterie eStore, la corrente generata può essere sufficiente per supportare la batteria d'avviamento. Si possono collegare in parallelo fino a otto eStore, per aumentare la capacità totale installata fino a 800 Ah.

L'eStore può essere trasportato con le maniglie incorporate.

## 6 Descrizione tecnica

### 6.1 Descrizione generale

L'eStore è una batteria agli ioni di litio per l'alimentazione elettrica di sistemi a 12 V $\overline{=}$  che non necessita di manutenzione. L'eStore dispone di un interruttore principale interno e di un fusibile interno da 250 A.

In collegamento con un sistema di gestione di batterie, l'eStore offre le seguenti funzioni:

- monitoraggio delle pile
- monitoraggio della tensione delle batterie
- monitoraggio della temperatura delle pile con il sensore per la temperatura integrato
- comunicazione tra più batterie eStore

L'eStore può essere caricato con i caricabatterie eCore o PerfectCharge della serie MCA. È ammesso l'utilizzo dei caricabatterie di produttori esterni. Per assicurarsi che l'interruttore principale interno durante la carica in condizioni normali rimanga chiuso, il caricatore deve soddisfare i seguenti requisiti:

1. tensione di alimentazione: tra 13,8 V e 14,0 V
2. uscita massima: 40 A per ogni eStore collegato (consigliata di 30 A)

Per aumentare la capacità complessiva, si possono collegare in parallelo fino a 8 eStore. Non deve essere superata la corrente di uscita massima totale di 250 A.



#### NOTA

Un eStore genera per un breve arco di tempo corrente a 250 A. La corrente continua non deve superare i 200 A. Una corrente di scarica continua di più di 200 A da un eStore può portare a una durata più breve della batteria. Utilizzare due o più eStore se è necessaria corrente continua di più di 200 A.

## 6.2 Elementi di indicazione e comando

Pos. in fig. <b>1</b> , pagina 3	Denominazione	Spiegazione
1	Interruttore principale	attiva (chiude) e disattiva (apre) l'interruttore principale interno
2	LED di stato	off: il sistema di gestione della batteria è spento perché la modalità magazzino è attivata o perché la batteria è eccessivamente scarica
		lampeggia con luce verde: sistema di gestione delle batterie attivo, interruttore principale attivato o azionato (chiuso)
		lampeggia con luce gialla: sistema di gestione delle batterie attivo, interruttore principale disattivato o disinserito (aperto)
		lampeggia con luce rossa: Guasto
3	Interfaccia eStore BUS	
4	Interfaccia LIN per il collegamento ai caricatori MCA PerfectCharge fig. <b>12</b> , pagina 7	
5	Interfaccia USB per la configurazione	
6	Interfaccia CAN Bus	

## 6.3 Fusibili e collegamenti

Pos. in fig. <b>2</b> , pagina 3	Denominazione	Spiegazione
1	Polo negativo	morsetto M8 per alimentatori e utenze
2	Fusibile interno	da 250 A – Fori per il fissaggio con distanza standard di 50,8 mm
3	Polo positivo	morsetto M8 per alimentatori e utenze

## 7 Fissaggio dell'eStore



### AVVERTENZA!

L'eStore non deve essere fissato con fasce o sistemi simili sopra al coperchio in plastica, perché ciò potrebbe danneggiare l'eStore.



### NOTA

In caso d'impiego di più eStore collegati: configurare e contrassegnare gli eStore prima di installarli nel veicolo, vedi capitolo "Connessione di più eStore" a pagina 130.

### Observare le seguenti indicazioni relative al luogo di montaggio

- L'eStore può essere montato verticalmente (fig. **11**, pagina 6) oppure orizzontalmente (fig. **12**, pagina 7) su una superficie piatta e stabile.
  - L'eStore non deve essere montato nella vicinanza di materiali infiammabili.
  - Il luogo di montaggio deve essere protetto da umidità e polvere.
  - Lasciare almeno 2 cm di spazio intorno all'eStore e garantire una buona aerazione. Il montaggio dovrebbe impedire temperature basse durante la stagione invernale (ricarica) per assicurare un funzionamento continuo.
  - Per motivi di sicurezza, fare attenzione durante il montaggio (in caso di perforazioni e avviture ecc.) alla posa dei cablaggi preesistenti, in particolare di quelli non a vista, dei cavi e di altri componenti situati nell'area d'installazione!
  - Se si installa più di un eStore, lasciare almeno 1 cm di spazio tra l'uno e l'altro.
- Scegliere un luogo adatto per l'installazione e fissare bene l'eStore.
- **Montaggio verticale:** utilizzare i piedini di fissaggio integrati (fig. **11**, pagina 6).  
Staffe di sostegno adatte sono disponibili come accessori (vedi capitolo "Accessori" a pagina 123).
- **Montaggio orizzontale:** fissare l'eStore con due cinghie o nastri sull'apparecchio (fig. **12**, pagina 7). Portarli fra le impugnature e i piedini di fissaggio e fissarli sulla superficie di montaggio. In questo modo si assicura che l'eStore non si muova quando il veicolo è in movimento.  
Staffe di sostegno adatte sono disponibili come accessori (vedi capitolo "Accessori" a pagina 123).

## 8 Collegamento dell'eStore

### 8.1 Apertura del coperchio del polo

- ▶ Sbloccare la chiusura premendo leggermente sul perno al centro di essa (fig. **3** 1, pagina 3).  
Fare attenzione a non premerlo del tutto.
- ▶ Aprire il coperchio (fig. **3** 2, pagina 3).
- ▶ Estrarre la chiusura (fig. **3** 3, pagina 3).
- ▶ Osservare le posizioni della chiusura (fig. **4**, pagina 4):
  - 1: sbloccata
  - 2: pronta all'uso
  - 3: bloccata

### 8.2 Chiusura del coperchio del polo

- ▶ Spingere indietro il perno della chiusura.
- ▶ Inserire la chiusura pronta all'uso (fig. **5** 1, pagina 4).
- ▶ Chiudere il coperchio (fig. **5** 2, pagina 4).
- ▶ Bloccare la chiusura, premendo leggermente il perno al centro del coperchio (fig. **5** 3, pagina 4).  
Fare attenzione a non premerlo del tutto.

### 8.3 Attivazione dell'eStore



#### NOTA

L'eStore viene consegnato in modalità magazzino per evitare che si scarichi durante l'immagazzinamento. Per utilizzare l'eStore, è necessario prima attivare l'eStore.

- ▶ Aprire il coperchio del polo (vedi capitolo "Apertura del coperchio del polo" a pagina 128).
- ▶ Collegare il polo positivo (fig. **2** 1, pagina 3) e quello negativo (fig. **2** 2, pagina 3) a una batteria a corrente bassa da 12 V $\text{---}$  o a un alimentatore.
- ✓ Il LED di stato (fig. **1** 2, pagina 3) lampeggia con luce gialla.
- ✓ L'eStore è attivo.



## 8.4 Collegamento dei cavi di allacciamento



### AVVISO!

- Collegare solo dispositivi con una tensione nominale di 12 V $\overline{=}$ .
- Osservare la giusta polarità quando si collegano i dispositivi all'eStore. Consultare anche il relativo manuale di istruzioni.
- Assicurarsi che i dispositivi da collegare siano spenti.

- Attivare (aprire) l'interruttore principale dell'eStore, premendolo (fig. **1** 1, pagina 3).
- Aprire il coperchio (capitolo "Apertura del coperchio del polo" a pagina 128).
- Collegare il cavo positivo con il polo positivo (fig. **2** 3, pagina 3).
- Serrare la vite del polo con una coppia di serraggio di 13 – 15 Nm.
- Chiudere il coperchio (capitolo "Chiusura del coperchio del polo" a pagina 128).
- Aprire il coperchio del polo negativo (capitolo "Apertura del coperchio del polo" a pagina 128).
- Collegare il cavo negativo con il polo negativo (fig. **2** 1, pagina 3).
- Serrare la vite del polo con una coppia di serraggio di 13 – 15 Nm.
- Chiudere il coperchio del polo negativo (capitolo "Chiusura del coperchio del polo" a pagina 128).
- Disattivare (chiudere) l'interruttore principale dell'eStore, premendolo (fig. **1** 1, pagina 3).

## 8.5 Collegamento delle utenze

- Disattivare tutti i dispositivi, in particolare quelli collegati all'eStore.
- Attivare (aprire) l'interruttore principale dell'eStore, premendolo (fig. **1** 1, pagina 3).
- Collegare il dispositivo da 12 V $\overline{=}$  all'eStore.
- Disattivare (chiudere) l'interruttore principale dell'eStore, premendolo (fig. **1** 1, pagina 3).
- Accendere il dispositivo da 12 V $\overline{=}$ .

## 8.6 Collegamento del cavo dati

È possibile collegare l'eStore per la comunicazione dati nel seguente modo:

- al eCore tramite il CAN Bus
- su un caricatore MCA PerfectCharge mediante bus LIN/CI
- su un caricatore MCA PerfectCharge mediante bus LIN/CI e fig. **12**, pagina 7

Con la connessione dati, è possibile controllare e visualizzare parametri come la tensione, la temperatura e lo stato di carica. Ulteriori dettagli sono reperibili nei relativi manuali di istruzioni dei dispositivi.

➤ Creare la connessione dati in base alla configurazione del dispositivo.

## 8.7 Connessione di più eStore

Si possono collegare in parallelo fino a otto eStore, per aumentare la capacità totale fino a 800 Ah. La figura mostra un collegamento dati di tre eStore connessi (fig. **6**, pagina 4).



### NOTA

- Per collegare più eStore, è necessario almeno un cavo BUS e il kit di configurazione eStore (vedi capitolo "Accessori" a pagina 123).
- Gli eStore collegati devono essere impostati con il configuratore eStore (capitolo "Collegamento e configurazione del cavo BUS" a pagina 131). Se si utilizza un solo eStore, non è necessario impostare niente. L'eStore è preimpostato di fabbrica per l'utilizzo come batteria singola.
- Assicurarsi che tutti gli eStore dopo l'installazione siano completamente carichi.

Il primo eStore serve come master. Esso svolge le seguenti funzioni:

- Controlla gli interruttori principali degli altri eStore (fig. **6**, pagina 4).
- Collega gli alimentatori tramite CAN/LIN.

I restanti eStore vengono gestiti come slave del master.

## Collegamento e configurazione del cavo BUS

Per la configurazione sono necessari un PC con collegamento USB e il configuratore eStore.

In base al tipo d'installazione, è consigliabile configurare e contrassegnare gli eStore prima di montarli nel veicolo.

- Assicurarsi che l'eStore non si trovi in modalità magazzino (LED di stato lampeggiante).
- Inserire il cavo USB del PC nell'interfaccia USB (fig. **1** 5, pagina 3) del primo eStore (master).
- Configurare il master, vedi capitolo "Configurazione degli eStore collegati" a pagina 131.
- Applicare l'adesivo d'identificazione (fig. **6** 6, pagina 4) al master (fig. **6** 1, pagina 4).
- Estrarre il cavo USB dal master.
- Inserire il cavo USB del PC nell'interfaccia USB del primo slave.
- Applicare gli adesivi d'identificazione (fig. **6** 3, pagina 4) allo slave (fig. **6** 2, pagina 4).
- Configurare gli eventuali slave restanti.
- Collegare gli eStore ai cavi BUS (fig. **6** 4, pagina 4).

## 8.8 Configurazione degli eStore collegati

- Installare eventualmente il ModbusReader "mbreader\_setup.exe" dal CD dati sul PC.
- Copiare il file "eStore\_Configuration\_utility\_FM739.mbc" dal CD dati al disco rigido del PC.
- Aprire il file "eStore\_Configuration\_utility\_FM739.mbc".
- ✓ Si apre il configuratore eStore (fig. **7**, pagina 5).
- Premere **CTRL + F** o selezionare nel menù "Connection" il comando **Find COM** (fig. **8** 1, pagina 5).
- Selezionare il nuovo numero di porta, nell'esempio COM18 (fig. **8** 2, pagina 5).
- Premere **CTRL + P** o selezionare nel menù "Connection" **COM Parameters** (fig. **8** 3, pagina 5).

- Si apre la finestra **COM Settings**.
- Selezionare dalla lista **Parity** (fig. **8** 4, pagina 5) il valore **Even**.
- Cliccare su **OK** (fig. **8** 5, pagina 5).
- Inserire nel campo **Pack Address** il numero dell'eStore, es. "1" per il master (fig. **9** 1, pagina 5).
- Premere "F2" o selezionare nel menù "Connection" il comando **Connect** (fig. **8** 6, pagina 5).
- Premere Invio.
- Inserire nel campo **Total Pack Number** il numero di eStore, es. "3", se si vogliono collegare in totale tre dispositivi (fig. **9** 2, pagina 5).
- Premere Invio.
- Inserire nel campo **Parallel Pack Number** il numero di eStore, es. "3", se si vogliono collegare in totale tre dispositivi (fig. **9** 3, pagina 5).  
**Nota:** Total Pack Number e Parallel Pack Number devono essere identici.
- Premere Invio.
- Inserire la password **3331** (fig. **9** 4, pagina 5).
- Premere Invio.
- Applicare l'adesivo d'identificazione (fig. **9** 5, pagina 5).  
**Nota:** il numero dell'ultimo eStore deve essere identico al numero totale degli eStore.

## 9 Prima della messa in funzione iniziale



### NOTA

Assicurarsi che il singolo o i vari eStore, dopo l'installazione, siano completamente carichi, perché altrimenti una scarica può causare danni.

## 10 Utilizzo dell'eStore



### AVVISO!

Non lasciare eStore completamente scarico.

Se l'interruttore principale apre il circuito perché la batteria è eccessivamente scarica, caricare nuovamente l'eStore il prima possibile (massimo 5 giorni). Se non si procede così, l'eStore passa alla modalità magazzino e può essere danneggiato.



### NOTA

Per garantire la vita dell'eStore, osservare le seguenti indicazioni:

- Evitare che la batteria si scarichi troppo da portare all'apertura dell'interruttore principale (vedi capitolo "Tensioni di esercizio e interruttore principale" a pagina 134).
- Durante la ricarica o l'immagazzinaggio dell'eStore, evitare temperature estremamente alte o basse.
- Evitare una scarica alta continua (> 200 A).

## 10.1 Tensioni di esercizio e interruttore principale

Il sistema di gestione della batteria eStore (SGB) valuta lo stato di ogni singola cella della batteria per stabilire quando la batteria deve essere protetta aprendo l'interruttore principale.

L'interruttore principale funziona nel modo seguente:

stato dell'eStore	comportamento dell'interruttore principale
Scarica	<p>&lt; 30 A, 11 – 12 V: l'interruttore principale apre</p> <p>&gt; 30 A, 10 – 11,8 V: main switch apre</p> <p>Questi sono valori indicativi riportati a titolo orientativo. La tensione di apertura dell'interruttore principale dipende dai parametri interni come la forza elettromotrice e la temperatura della cella nonché dalla corrente di scarica. I valori della corrente indicati valgono per il singolo eStore.</p>
Carica	<p>La tensione di apertura dell'interruttore principale dipende dai parametri interni come la forza elettromotrice e la temperatura della cella nonché dalla corrente di carica. La tensione massima, prima dell'apertura dell'interruttore principale, è di 15,2 V. Il caricamento con i parametri di carica consigliati nel funzionamento normale garantisce che l'interruttore principale rimanga chiuso.</p> <p>Vedi capitolo "Ricarica dell'eStore" a pagina 134 per i parametri di carica consigliati.</p>

## 10.2 Ricarica dell'eStore



### AVVISO!

L'eStore può essere caricato con caricabatterie quali eCore o i caricatori MCA PerfectCharge (selezionare il Power Mode; vedi manuale di istruzioni del caricatore per la posizione dell'interruttore di regolazione corrispondente). È ammesso l'utilizzo dei caricabatterie di produttori esterni. L'interruttore principale rimane chiuso in condizioni normali durante la ricarica se vengono soddisfatti i seguenti parametri del caricatore:

- tensione di alimentazione: tra 13,8 V e 14,0 V
- uscita massima: 40 A per ogni eStore collegato (consigliata di 30 A)



### NOTA

Osservare anche il manuale di istruzioni dell'alimentatore utilizzato.

## 10.3 Sostituzione del fusibile



### NOTA

Utilizzare un fusibile da massimo 250 A con distanza tra i fori di 50,8 mm.

Per sostituire il fusibile, procedere nel seguente modo:

- Aprire il coperchio del polo positivo (capitolo “Apertura del coperchio del polo” a pagina 128).
- Estrarre i dadi e le rondelle del fusibile (fig. **10** 1, pagina 6).
- Sostituire il fusibile (fig. **10** 2, pagina 6).
- Fissare il nuovo fusibile con i dadi e le rondelle (fig. **10** 1, pagina 6). Serrare i dadi tra 13 e 15 Nm.
- Chiudere il coperchio del polo positivo (capitolo “Chiusura del coperchio del polo” a pagina 128).

## 10.4 Immagazzinaggio dell'eStore



### NOTA

- Immagazzinare l'eStore in un luogo fresco e asciutto.
- Evitare l'immagazzinaggio a temperature alte per molto tempo. Ciò ne accorcerebbe la vita.
- Ricaricare l'eStore ogni 3 mesi.
- Per un immagazzinaggio più lungo (ad es. la pausa invernale del veicolo):
  - rimuovere tutte le utenze.
  - Ricaricare l'eStore.
  - Aprire l'interruttore principale.

Questo impedisce che la batteria si scarichi eccessivamente e l'eStore venga danneggiato.

## 11 Pulizia dell'eStore



### AVVISO!

Per la pulizia non impiegare oggetti ruvidi o appuntiti, oppure detersivi perché potrebbero danneggiare il prodotto.

- Pulire il prodotto di tanto in tanto con un panno umido.

## 12 Risoluzione dei guasti

Guasto	Causa	Soluzione
Non c'è tensione nei morsetti delle batterie.	L'interruttore principale è disattivato (aperto).	➤ Attivare (chiudere) l'interruttore principale.
	Il fusibile è guasto.	➤ Sostituire il fusibile (vedi capitolo "Sostituzione del fusibile" a pagina 135).
	L'eStore è in modalità magazzino.	➤ Attivare l'eStore.
	L'eStore non è configurato correttamente.	➤ Configurare l'eStore.
eStore está casi totalmente descargada.		➤ Ricaricare l'eStore con una carica di < 10 A. <b>Nota:</b> Non utilizzare sistemi di ricarica intelligenti (a interruttore principale attivato, non c'è tensione nei morsetti. I caricabatterie intelligenti non si avviano se non c'è tensione).
		➤ Rivolgersi a un rivenditore autorizzato.
	L'eStore è guasto.	➤ Rivolgersi a un rivenditore autorizzato.



Guasto	Causa	Soluzione
Il LED di stato non lampeggia.	L'eStore è in modalità magazzino.	➤ Attivare l'eStore.
	L'eStore è completamente scarico.	➤ Ricaricare l'eStore con una carica di < 10 A. <b>Nota:</b> Non utilizzare sistemi di ricarica intelligenti (a interruttore principale attivato, non c'è tensione nei morsetti. I caricabatterie intelligenti non si avviano se non c'è tensione). ➤ Rivolgersi a un rivenditore autorizzato.
	L'eStore è guasto.	➤ Rivolgersi a un rivenditore autorizzato.
Il LED di stato lampeggia con luce rossa.	L'eStore è configurato per il collegamento di più eStore e i cavi BUS non sono inseriti.	➤ Inserire i cavi dell'eStore.
	L'eStore è completamente scarico.	➤ Caricare l'eStore.
	L'eStore è troppo carico.	➤ Scollegare gli alimentatori dall'eStore. ➤ Controllare la tensione di carica del caricabatterie.
	L'eStore è guasto.	➤ Rivolgersi a un rivenditore autorizzato.

Guasto	Causa	Soluzione
L'eStore non reagisce quando si attiva l'interruttore principale.	L'eStore è in modalità magazzino.	➤ Attivare l'eStore.
	L'eStore è completamente scarico.	➤ Ricaricare l'eStore con una carica di < 10 A. <b>Nota:</b> Non utilizzare sistemi di ricarica intelligenti (a interruttore principale attivato, non c'è tensione nei morsetti. I caricabatterie intelligenti non si avviano se non c'è tensione). ➤ Rivolgersi a un rivenditore autorizzato.
	L'eStore è configurato come slave e non come master.	➤ Utilizzare l'interruttore principale dell'eStore master (eStore configurato come #1)
	La configurazione per il collegamento di più eStore è errata.	➤ Verificare la configurazione.
L'interruttore principale si attiva (si chiude) e si disattiva subito (si apre).	L'eStore è guasto.	➤ Rivolgersi a un rivenditore autorizzato.
	L'eStore è completamente scarico.	➤ Caricare l'eStore.
	L'eStore è troppo carico.	➤ Scollegare gli alimentatori dall'eStore. ➤ Controllare la tensione di carica del caricabatterie.
	La corrente di carica è troppo alta.	➤ Ridurre la corrente di carica.
	La corrente di scarica è troppo alta.	➤ Ridurre il carico. ➤ Controllare la temperatura dell'eStore. ➤ Caricare l'eStore.
L'eStore è difettoso.		➤ Rivolgersi a un rivenditore autorizzato.

Guasto	Causa	Soluzione
Appare "Warning eStore" sul pannello di controllo dell'eCore.	La temperatura dell'eStore è troppo bassa.	<ul style="list-style-type: none"> <li>➤ Controllare il LED di stato dell'alimentatore.</li> <li>➤ Controllare la temperatura dell'eStore.</li> <li>➤ Riscaldare l'ambiente.</li> </ul>
	La temperatura dell'eStore è troppo alta.	<ul style="list-style-type: none"> <li>➤ Controllare il LED di stato dell'alimentatore.</li> <li>➤ Controllare la temperatura dell'eStore.</li> <li>➤ Raffreddare l'ambiente.</li> </ul>

## 13 Garanzia

Vale il termine di garanzia previsto dalla legge. Qualora il prodotto risultasse difettoso, La preghiamo di rivolgersi alla filiale del produttore del suo Paese (l'indirizzo si trova sul retro del manuale di istruzioni), oppure al rivenditore specializzato di riferimento.

Per la riparazione e per il disbrigo delle condizioni di garanzia è necessario inviare la seguente documentazione:

- una copia della fattura con la data di acquisto del prodotto,
- un motivo su cui fondare il reclamo, oppure una descrizione del guasto.

## 14 Smaltimento

- Raccogliere il materiale di imballaggio possibilmente negli appositi contenitori di riciclaggio.



Quando il prodotto viene messo fuori servizio definitivamente, informarsi al centro di riciclaggio più vicino, oppure presso il proprio rivenditore specializzato, sulle prescrizioni adeguate concernenti lo smaltimento.




### Protegete l'ambiente!

Gli accumulatori e le batterie non devono essere raccolti insieme ai rifiuti domestici.

Consegnare gli accumulatori difettosi o le batterie usate al rivenditore o presso un centro di raccolta.

## 15 Specifiche tecniche

	<b>eStore</b>
N. art.:	9102900224
Tensione nominale:	13,2 V $\equiv$
Intervallo di variazione della temperatura di esercizio (nel caso di scaricamento):	da $-30\text{ }^{\circ}\text{C}$ (con potenza ridotta) fino a $+55\text{ }^{\circ}\text{C}$
Temperatura per la ricarica con eCore: con altri alimentatori:	da $-10\text{ }^{\circ}\text{C}$ a $+55\text{ }^{\circ}\text{C}$ da $0\text{ }^{\circ}\text{C}$ a $+40\text{ }^{\circ}\text{C}$
Capacità nominale:	100 Ah
Dimensioni L x P x A:	315 x 160 x 285 mm
Peso:	17 kg
Certificati di controllo:	
	IEC 62133 UN 38.3 UN 3480

**Lees deze handleiding voor de montage en de ingebruikname zorgvuldig door en bewaar hem. Geef de handleiding bij het doorgeven van het product aan de gebruiker.**

## Inhoudsopgave

1	Verklaring van de symbolen . . . . .	142
2	Algemene veiligheidsinstructies . . . . .	143
3	Omvang van de levering . . . . .	144
4	Toebehoren. . . . .	145
5	Gebruik volgens de voorschriften . . . . .	146
6	Technische beschrijving . . . . .	147
7	eStore bevestigen. . . . .	149
8	eStore aansluiten. . . . .	150
9	Voor het eerste gebruik . . . . .	154
10	eStore gebruiken . . . . .	155
11	eStore reinigen . . . . .	157
12	Storingen oplossen. . . . .	158
13	Garantie . . . . .	160
14	Afvoer . . . . .	161
15	Technische gegevens. . . . .	161

# 1 Verklaring van de symbolen

**GEVAAR!**

**Veiligheidsaanwijzing:** Het niet naleven leidt tot overlijden of ernstig letsel.

**WAARSCHUWING!**

**Veiligheidsaanwijzing:** Het niet naleven kan leiden tot overlijden of ernstig letsel.

**VOORZICHTIG!**

**Veiligheidsaanwijzing:** Het niet naleven kan leiden tot letsel.

**LET OP!**

Het niet naleven ervan kan leiden tot materiële schade en de werking van het product beperken.

**INSTRUCTIE**

Aanvullende informatie voor het bedienen van het product.

## 2 Algemene veiligheidsinstructies

De fabrikant kan in de volgende gevallen niet aansprakelijk worden gesteld voor schade:

- Beschadigingen aan het product door mechanische invloeden en overspanningen en overstroom
- Veranderingen aan het toestel zonder uitdrukkelijke toestemming van de fabrikant
- Gebruik voor andere dan de in de aanwijzing beschreven toepassingen

Neem onderstaande algemene veiligheidsmaatregelen in acht bij het gebruik van elektrische toestellen ter bescherming tegen:

- elektrische schokken
- brandgevaar
- verwondingen

### 2.1 Algemene veiligheid



#### GEVAAR!

- Gebruik in het geval van brand een brandblusser die geschikt is voor elektrische toestellen.



#### WAARSCHUWING!

- Als het toestel of de aansluitkabel zichtbaar beschadigd zijn, mag u het toestel niet in gebruik nemen.
- Reparaties aan dit toestel mogen uitsluitend door vakmonteurs worden uitgevoerd. Door onvakkundige reparaties kunnen grote gevaren ontstaan.
- Personen (ook kinderen) die door hun fysieke, zintuiglijke of geestelijke vermogens of hun onervarenheid of onwetendheid niet in staat zijn om het toestel veilig te gebruiken, mogen dit niet zonder toezicht of instructie door een verantwoordelijk persoon doen.
- **Elektrische toestellen zijn geen speelgoed!**  
Bewaar en gebruik het toestel buiten het bereik van kinderen.
- Er moet toezicht worden gehouden op kinderen om te voorkomen dat ze met het toestel spelen.



#### LET OP!

- Vergelijk voor de ingebruikneming de spanning op het typeplaatje met de aanwezige energievoorziening.

- Let erop dat andere voorwerpen **geen** kortsluiting bij de contacten van het toestel veroorzaken.
- Voorkom dat de positieve en negatieve klem elkaar raken.
- Als leidingen door wanden met scherpe randen geleid moeten worden, gebruikt u holle buizen of leidingdoorvoeren.
- Installeer geen losse of scherp geknikte leidingen op elektrisch geleidend materiaal (metaal).

## 2.2 Veiligheid bij het gebruik van het toestel



### **GEVAAR! Levensgevaar door elektrische schok!**

- Blanke leidingen nooit met blote handen aanraken. Dit geldt vooral voor toestellen op het wisselstroomnet.



### **WAARSCHUWING!**

- Gebruik het toestel uitsluitend in gesloten, goed geventileerde ruimtes.



### **VOORZICHTIG!**

- Gebruik het toestel **niet**
  - in een zouthoudende, vochtige of natte omgeving
  - in de buurt van agressieve dampen
  - in de buurt van brandbare materialen
  - in explosieve omgevingen
- Trek niet aan leidingen.

## 3 Omvang van de levering

- eStore-accu
- Inbouw- en bedieningshandleiding



## 4 Toebehoren

Als toebehoren en reserveonderdelen verkrijgbaar (niet bij de levering inbegrepen):

Onderdeelaanduiding	Artikelnummer
eStore-BUS-kabelkit RJ11 en eStore ID-sticker Voor de aansluiting tussen meerdere eStores, als de eStore-Bus wordt gebruikt	9102900279
eStore-configuratiekit USB-kabel en gegevens-cd Voor de inrichting van meerdere eStores – alleen Installer	9102900281
eStore-eCore-BUS-kabelkit CAT5-LAN-kabel, RJ45 Voor de aansluiting tussen eStore en eCore	9102900280
eStore-MPC01-BUS-kabel Voor de aansluiting tussen eStore en MPC01	9102200197
eStore-MCA-BUS-kabel Voor de aansluiting tussen eStore en MCA-laders, als geen MPC01 wordt gebruikt	9103530048
Reservezekering 250 A Littelfuse Mega-serie, perforatieafstand 50,8 mm	9102900282
Set eStore-houderbeugels – verticaal Voor de verticale montage van eStore	9102900289
Set eStore-houderbeugels – horizontaal Voor de horizontale montage van eStore	9102900290

## 5 Gebruik volgens de voorschriften

eStore dient als spanningsbron van 12 V in stroominstallaties van caravans, campers, zakelijke voertuigen en stationaire toepassingen. eCore mag niet voor medische doelen worden gebruikt.

In combinatie met een wisselomvormer, bijvoorbeeld eCore kunnen ook toestellen van 230 V~ worden voorzien.

Gebruik als startaccu is niet mogelijk. eStore mag niet direct met de startaccu worden verbonden. Door een parallelle schakeling van meerdere eStore-accu's kan de beschikbare stroom voldoende zijn om de startaccu te ondersteunen. Tot acht eStores kunnen parallel met elkaar worden verbonden om de geïnstalleerde totale capaciteit tot 800 Ah te verhogen.

eStore kan met de ingebouwde houdergrepen worden getransporteerd.

## 6 Technische beschrijving

### 6.1 Algemene beschrijving

eStore is een onderhoudsvrije lithium-ion-accu voor 12 V==-systemen voor de spanningsvoorziening. eStore beschikt over een interne hoofdschakelaar en een interne 250-A-zekering.

In combinatie met een accumanagementsysteem biedt eStore volgende functies:

- Accucellenbewaking
- Accuspanningsbewaking
- Accucentratuur-bewaking door geïntegreerde temperatuurvoeler
- Communicatie tussen meerdere eStore-accu's

eStore kan met laders zoals eCore of PerfectCharge MCA-serie worden geladen. Het gebruik van laders van andere fabrikanten is niet toegestaan. Om te garanderen dat de interne hoofdschakelaar tijdens het laden onder normale omstandigheden gesloten blijft, moet de lader aan volgende eisen voldoen:

1. Laadeindspanning: tussen 13,8 V en 14,0 V
2. maximaal uitgangsvermogen: 40 A per aangesloten eStore (30 A aanbevolen)

Om de totale capaciteit te verhogen kunnen tot 8 eStores parallel worden geschakeld. De gemeenschappelijke uitgangsstroom mag 250 A niet overschrijden.



#### **INSTRUCTIE**

Een eStore kan kort 250 A leveren. De continuïnstroom mag 200 A niet overschrijden. Een continue ontladestroom van meer dan 200 A uit een eStore kan leiden tot een kortere levensduur. Gebruik twee of meer eStores, als continue stroom van meer dan 200 A is vereist.

## 6.2 Indicatie- en bedieningselementen

Pos. in afb. 1, pagina 3	Omschrijving	Verklaring
1	Hoofdschakelaar	activeert (sluit) en deactiveert (opent) de interne hoofdschakelaar
2	Status-led	Uit: Accubeheersysteem is uitgeschakeld vanwege geactiveerde laadmodus of overmatige ontlading
		knippert groen: Accumanagementsysteem actief, hoofdschakelaar is actief of ingeschakeld (gesloten)
		knippert geel: Accumanagementsysteem actief, hoofdschakelaar is gedeactiveerd of uitgeschakeld (geopend)
		knippert rood: Functiestoring
3	eStore-BUS-interface	
4	LIN-interface voor de verbinding met PerfectCharge MCA-laders en MPC01	
5	USB-interfaces voor configuratie	
6	CAN-Bus-interface	

## 6.3 Beveiliging en aansluitingen

Pos. in afb. 2, pagina 3	Omschrijving	Verklaring
1	Minpool	M8-klem voor laders en verbruikers
2	Interne beveiliging	250 A – Bevestigingsboringen met standaard gatenafstand 50,8 mm
3	Pluspool	M8-klem voor laders en verbruikers

## 7 eStore bevestigen



### WAARSCHUWING!

eStore mag niet met gordels, o.a. over de kunststofafdekking worden beveiligd, omdat dit de eStore beschadigt.



### INSTRUCTIE

Bij gebruik van meerdere verbonden eStores: Configureer en markeer de eStores voor de inbouw in het voertuig, zie hoofdstuk „Meerdere eStores verbinden“ op pagina 152.

### Neem de volgende instructies met betrekking tot montage in acht

- eStore kan verticaal (afb. **11**, pagina 6) of horizontaal (afb. **12**, pagina 7) op een effen en stabiel vlak worden gemonteerd.
- eStore mag niet in de buurt van brandbaar materiaal worden ingebouwd.
- De montageplaats moet worden beschermd tegen vocht en stof.
- Laat minstens 2 cm ruimte rond eStore vrij, en zorg voor goede ventilatie. De inbouw moet lage temperaturen tijdens winterbedrijf (laden) voorkomen om continubedrijf te garanderen.
- Let om veiligheidsredenen bij de montage van de generator (bij het boren en schroeven enz.) op het verloop van aanwezige, met name niet-zichtbare kabelstrengen, leidingen en andere componenten die zich in het montagebereik bevinden!
- Laat bij montage van meer dan één eStore minstens 1 cm ruimte tussen de eStores.
- Kies een geschikte montageplaats en bevestig de eStore daar veilig.
- **Verticale montage:** Gebruik de geïntegreerde bevestigingsvoeten (afb. **11**, pagina 6). Passende houderbeugels zijn als toebehoren verkrijgbaar (zie hoofdstuk „Toebehoren“ op pagina 145).
- **Horizontale montage:** Beveilig eStore met twee riemen of banden over het toestel (afb. **12**, pagina 7). Leid deze tussen de grepen en bevestigingsvoeten, en bevestig ze aan het montagevlak. Hierdoor wordt gegarandeerd dat eStore niet beweegt, als het voertuig in beweging is. Passende houderbeugels zijn als toebehoren verkrijgbaar (zie hoofdstuk „Toebehoren“ op pagina 145).

## 8 eStore aansluiten

### 8.1 Afdekking van de pool openen

- ▶ Ontgrendel de afsluiting door de stift in het midden van de afsluiting iets omlaag te drukken (afb. **3** 1, pagina 3).  
Druk deze er niet helemaal doorheen.
- ▶ Open de afdekklep (afb. **3** 2, pagina 3).
- ▶ Verwijder de ontgrendelde afsluiting (afb. **3** 3, pagina 3).
- ▶ Neem ook den positie van de afsluiting in acht (afb. **4**, pagina 4):
  - 1: ontgrendeld
  - 2: gebruiksklaar
  - 3: vergrendeld

### 8.2 Afdekking van de pool sluiten

- ▶ Schuif de stift van de afsluiting terug.
- ▶ Plaats de gebruiksklare afsluiting (afb. **5** 1, pagina 4).
- ▶ Sluit de afdekklep (afb. **5** 2, pagina 4).
- ▶ Vergrendel de afsluiting door de stift in het midden van de afsluiting iets omlaag te drukken (afb. **5** 3, pagina 4).  
Druk deze er niet helemaal doorheen.

### 8.3 eStore activeren



#### INSTRUCTIE

eStore wordt in opslagmodus geleverd; hierdoor wordt zelfontlading tijdens opslag verminderd. Om eStore te gebruiken, moet u eStore eerst activeren.

- ▶ Open de poolafdekking (zie hoofdstuk „Afdekking van de pool openen” op pagina 150).
- ▶ Verbind de pluspool (afb. **2** 1, pagina 3) en minpool (afb. **2** 2, pagina 3) met een laagstroom-12 V---accu of een lader.
- ✓ De status-led (afb. **1** 2, pagina 3) knippert geel.
- ✓ eStore is geactiveerd.

## 8.4 Aansluitkabel aansluiten



### LET OP!

- Sluit alleen toestellen met een nominale spanning van 12 V $\overline{=}$  aan.
- Let op de juiste polariteit, als u toestellen op eStore aansluit. Neem hierover ook de desbetreffende bedieningshandleiding in acht.
- Controleer of de toestellen die u wilt aansluiten zijn uitgeschakeld.

- Schakel (open) de hoofdschakelaar van de eStore in, door drukken op de hoofdschakelaar (afb. **1** 1, pagina 3).
- Open de afdekklep (hoofdstuk „Afdekking van de pool openen” op pagina 150).
- Verbind de pluskabel met de pluspool (afb. **2** 3, pagina 3).
- Draai de poolschroef aan met een moment van 13 – 15 Nm an.
- Sluit de afdekklep (hoofdstuk „Afdekking van de pool sluiten” op pagina 150).
- Open de afdekklep van de minpool (hoofdstuk „Afdekking van de pool openen” op pagina 150).
- Verbind de minkabel met de minpool (afb. **2** 1, pagina 3).
- Draai de poolschroef aan met een moment van 13 – 15 Nm an.
- Sluit de afdekklep van de minpool (hoofdstuk „Afdekking van de pool sluiten” op pagina 150).
- Schakel (sluit) de hoofdschakelaar van de eStore uit, door drukken op de hoofdschakelaar (afb. **1** 1, pagina 3).

## 8.5 Verbruiker aansluiten

- Schakel alle toestellen, in het bijzonder die op eStore zijn aangesloten, uit.
- Schakel (open) de hoofdschakelaar van de eStore in, door drukken op de hoofdschakelaar (afb. **1** 1, pagina 3).
- Sluit het 12 V $\overline{=}$ -toestel aan op eStore.

- Schakel (sluit) de hoofdschakelaar van de eStore uit, door drukken op de hoofdschakelaar (afb. **1**, pagina 3).
- Schakel het 12 V==toestel in.

## 8.6 Gegevenskabel aansluiten

U kunt eStore voor gegevenscommunicatie als volgt aansluiten:

- op eCore via de CAN-Bus
- aan een PerfectCharge MCA-lader via LIN-/CI-Bus
- aan een PerfectCharge MCA-lader via LIN-/CI-Bus via MPC01

Door de gegevensverbinding kunnen parameters zoals spanning, temperatuur en laadtoestand worden gecontroleerd en weergegeven. Meer details staan in de desbetreffende bedieningshandleidingen van de toestellen.

- Stel de gegevensverbinding in overeenkomstig uw toestelconfiguratie.

## 8.7 Meerdere eStores verbinden

Tot acht eStores kunnen parallel met elkaar worden verbonden om de totale capaciteit tot 800 Ah te verhogen. De afbeelding toont een gegevensverbinding van drie verbonden eStores (afb. **6**, pagina 4).



### INSTRUCTIE

- Om meerdere eStores met elkaar te verbinden is minstens een BUS-kabel en de eStore-configuratiekit nodig (zie hoofdstuk „Toebehoren” op pagina 145).
- Met elkaar verbonden eStores moeten met de eStore-configurator worden ingesteld (hoofdstuk „BUS-kabel verbinden en configureren” op pagina 153). Als u slechts een eStore gebruikt, moet u niets instellen. eStore is in de fabriek al ingesteld voor gebruik als enkele accu.
- Controleer of alle eStores na installatie volledig zijn geladen.

De eerste eStore dient als master. Hij heeft volgende functies:

- Hij stuurt de hoofdschakelaar van de andere eStores (afb. **6**, pagina 4).
- Hij verbindt de laders via CAN/LIN.

De overige eStores worden als slaves door de master gestuurd.



## BUS-kabel verbinden en configureren

Voor de configuratie heeft u een pc met USB-aansluiting en de eStore-configurator nodig.

Afhankelijk van de inbouwsituatie is het zinvol om de eStores voor inbouw in het voertuig te configureren en te kenmerken.

- ▶ Controleer of eStore zich niet in opslagmodus bevindt (status-led knippert).
- ▶ Steek de USB-kabel van de pc in de USB-interface (afb. **1** 5, pagina 3) van de eerste eStore (master).
- ▶ Configureer de master, zie hoofdstuk „Verbonden eStores configureren” op pagina 153.
- ▶ Breng de ID-sticker (afb. **6** 6, pagina 4) op de master (afb. **6** 1, pagina 4) aan.
- ▶ Trek de USB-kabel van de master eruit.
- ▶ Steek de USB-kabel van de pc in de USB-interface van de eerste slave.
- ▶ Breng de ID-sticker (afb. **6** 3, pagina 4) op de slave (afb. **6** 2, pagina 4) aan.
- ▶ Configureer eventueel de resterende slaves.
- ▶ Verbind de eStores met de BUS-kabels (afb. **6** 4, pagina 4).

## 8.8 Verbonden eStores configureren

- ▶ Installeer eventueel de ModbusReader „mbreader\_setup.exe” van de gegevens-CD op de pc.
- ▶ Kopieer het bestand „eStore\_Configuration\_utility\_FM739.mbc” van de gegevens-CD op de harde schijf van de pc.
- ▶ Op het bestand „eStore\_Configuration\_utility\_FM739.mbc”.
- ✓ De eStore-configurator gaat open (afb. **7** , pagina 5).
- ▶ Druk op **STRG + F** of selecteer in het menu „Connection” de instructie **Find COM** (afb. **8** 1, pagina 5).
- ▶ Selecteer het nieuwe poortnummer, in het voorbeeld COM18 (afb. **8** 2, pagina 5).
- ▶ Druk op **STRG + P** of selecteer in het menu „Connection” de **COM Parameters** (afb. **8** 3, pagina 5).
- ▶ Het venster **COM Settings** verschijnt.
- ▶ Selecteer in de lijst **Parity** (afb. **8** 4, pagina 5) de waarde **Even**.

- Klik op **OK** (afb. **8** 5, pagina 5).
- Voer in het veld **Pack Address** het nummer van de eStore in, bijvoorbeeld „1” voor de master (afb. **9** 1, pagina 5).
- Druk op "F2" of selecteer in het menu „Connection” de instructie **Connect** (afb. **8** 6, pagina 5).
- Druk op de Enter-toets.
- Voer in het veld **Total Pack Number** het aantal eStores in, bijvoorbeeld „3”, als u in totaal drie apparaten wilt aansluiten (afb. **9** 2, pagina 5).
- Druk op de Enter-toets.
- Voer in het veld **Parallel Pack Number** het aantal eStores in, bijvoorbeeld „3”, als u in totaal drie apparaten wilt aansluiten (afb. **9** 3, pagina 5).  
**Aanwijzing:** Total Pack Number en Parallel Pack Number moet hetzelfde zijn.
- Druk op de Enter-toets.
- Voer het wachtwoord **3331** in (afb. **9** 4, pagina 5).
- Druk op de Enter-toets.
- Breng de ID-sticker aan (afb. **9** 5, pagina 5).  
**Aanwijzing:** Het nummer van de laatste eStore moet hetzelfde zijn als het totale aantal eStores.

## 9 Voor het eerste gebruik



### INSTRUCTIE

Controleer of de afzonderlijke eStore of de meerdere eStores na de installatie compleet geladen zijn, omdat ontladen schade kan veroorzaken.

## 10 eStore gebruiken



### LET OP!

Laat de eStore niet in ontladen toestand.

Indien de hoofdschakelaar vanwege overmatige ontlading opengaat, eStore zo snel mogelijk weer opladen (maximaal 5 dagen). Anders schakelt eStore in de opslagmodus en kan worden beschadigd.



### INSTRUCTIE

Neem de volgende aanwijzingen in acht om de levensduur van de accu te verlengen.

- Voorkom een zo diepe ontlading dat de hoofdschakelaar opengaat (zie hoofdstuk „Bedrijfsspanning en hoofdschakelaar“ op pagina 156).
- Vermijd tijdens laden of tijdens opslag extreem hoge of lage temperaturen.
- Vermijd een continu hoge ontlading (> 200 A).

## 10.1 Bedrijfsspanning en hoofdschakelaar

Het eStore-accumanagementsysteem (BMS) beoordeelt de toestand van elke afzonderlijke cel van de accu om te bepalen wanneer de accu door openen van de hoofdschakelaar moet worden beveiligd.

De hoofdschakelaar werkt als volgt:

eStore-toestand	Hoofdschakelaar-eigenschappen
Ontlading	<p>&lt; 30 A, 11 – 12 V: Hoofdschakelaar gaat open</p> <p>&gt; 30 A, 10 – 11,8 V: hoofdschakelaar gaat open</p> <p>Dit zijn richtwaarden en worden slechts ter oriëntering vermeld. De openingsspanning van de hoofdschakelaar hangt af van interne parameters zoals celspanning en -temperatuur en de onlaadstroom. De aangegeven stroomwaarden gelden per afzonderlijke eStore.</p>
Lading	<p>De openingsspanning van de hoofdschakelaar hangt af van interne parameters zoals celspanning en -temperatuur en de laadstroom. De maximale spanning voordat de hoofdschakelaar opengaat bedraagt 15,2 V. Laden met de aanbevolen laadparameters tijdens normaal bedrijf garandeert dat de hoofdschakelaar gesloten blijft. Zie hoofdstuk „eStore laden” op pagina 156 voor de aanbevolen laadparameters.</p>

## 10.2 eStore laden



### LET OP!

eStore kan met laadtoestellen zoals eCore of de PerfectCharge MCA-laders (selecteer de Power Mode; zie de bedieningshandleiding van de lader voor de DIP-schakelaarstand) worden geladen. Het gebruik van laders van andere fabrikanten is niet toegestaan. De hoofdschakelaar blijft bij het laden onder normale voorwaarden gesloten, als aan volgende laadparameters is voldaan:

- Laadeindspanning: tussen 13,8 V en 14,0 V
- Maximaal uitgangsvermogen: 40 A per aangesloten eStore (30 A aanbevolen)



### INSTRUCTIE

Neem ook de bedieningshandleiding van de gebruikte lader in acht.

## 10.3 Zekering vervangen



### INSTRUCTIE

Gebruik maximaal een 250-A-zekering met 50,8 mm perforatieafstand.

Vervang de zekering als volgt:

- Open de afdekklep van de pluspool (hoofdstuk „Afdekking van de pool openen” op pagina 150).
- Verwijder de moeren en de onderlegschilden van de zekering (afb. **10** 1, pagina 6).
- Vervang de zekering (afb. **10** 2, pagina 6).
- Bevestig de nieuwe zekering met de moeren en onderlegschilden (afb. **10** 1, pagina 6). Draai de moeren tussen 13 en 15 Nm aan.
- Sluit de afdekkap van de pluspool (hoofdstuk „Afdekking van de pool sluiten” op pagina 150).

## 10.4 eStore opslaan



### INSTRUCTIE

- Bewaar eStore op een koele, droge plaats.
  - Voorkom opslag bij langdurig hoge temperaturen. Dit verkort de levensduur.
  - Laad eStore elke 3 maanden op.
  - Voor langdurige opslag (bijvoorbeeld winterpauze aan het voertuig):
    - Verwijder alle verbruikers.
    - Laad eStore op.
    - Open de hoofdschakelaar.
- Dit voorkomt overmatige ontlading en de beschadiging van eStore.

## 11 eStore reinigen



### LET OP!

Geen scherpe of harde voorwerpen of reinigingsmiddelen bij het reinigen gebruiken. Dit kan het product beschadigen.

- Reinig het product af en toe met een vochtige doek.

## 12 Storingen oplossen

Storing	Oorzaak	Oplossing
De accuklemmen zijn stroomloos.	De hoofdschakelaar is uitgeschakeld (geopend).	➤ Schakel (sluit) de hoofdschakelaar in.
	De zekering is defect.	➤ Vervang de zekering (zie hoofdstuk „Zekering vervangen” op pagina 157).
	eStore is in opslagmodus.	➤ Activeer eStore.
	eStore is niet correct geconfigureerd.	➤ Configureer eStore.
	eStore is diepontladen.	➤ Laad eStore met een laadstroom < 10 A. <b>Aanwijzing:</b> Gebruik geen intelligente laadsystemen (met ingeschakelde hoofdschakelaar staan de klemmen niet onder stroom. Intelligente acculaders starten niet, als geen spanning voorhanden is). ➤ Neem contact op met een geautoriseerde dealer.
	eStore is defect.	➤ Neem contact op met een geautoriseerde dealer.
De status-led knippert niet.	eStore is in opslagmodus.	➤ Activeer eStore.
	eStore is sterk diepontladen.	➤ Laad eStore met een laadstroom < 10 A. <b>Aanwijzing:</b> Gebruik geen intelligente laadsystemen (met ingeschakelde hoofdschakelaar staan de klemmen niet onder stroom. Intelligente acculaders starten niet, als geen spanning voorhanden is). ➤ Neem contact op met een geautoriseerde dealer.
	eStore is defect.	➤ Neem contact op met een geautoriseerde dealer.

Storing	Oorzaak	Oplossing
Status-led knipt rood.	eStore is voor het aansluiten van meerdere eStores geconfigureerd en de BUS-kabels zijn niet ingestoken.	► Steek de eStore-kabel erin.
	eStore is diepontladen.	► Laad eStore.
	eStore is overgeladen.	► Scheid de laders van eStore. ► Controleer de laadspanning van de acculader.
	eStore is defect.	► Neem contact op met een geautoriseerde dealer.
eStore reageert niet op het inschakelen van de hoofdschakelaar.	eStore is in opslagmodus.	► Activeer eStore.
	eStore is diepontladen.	► Laad eStore met een laadstroom < 10 A. <b>Aanwijzing:</b> Gebruik geen intelligente laadsystemen (met ingeschakelde hoofdschakelaar staan de klemmen niet onder stroom. Intelligente acculaders starten niet, als geen spanning voorhanden is). ► Neem contact op met een geautoriseerde dealer.
	eStore is als slave en niet als master geconfigureerd.	► Gebruik de hoofdschakelaar van de eStore-master (eStore geconfigureerd als #1)
	Configuratie voor het aansluiten van meerdere eStores is fout.	► Controleer de configuratie.
	eStore is defect.	► Neem contact op met een geautoriseerde dealer.

Storing	Oorzaak	Oplossing
Hoofdschakelaar schakelt in (sluit) en schakelt (opent) onmiddellijk weer uit.	eStore is diepontladen.	➤ Laad eStore.
	eStore is overgeladen.	➤ Scheid de laders van eStore. ➤ Controleer de laadspanning van de acculader.
	Laadstroom is te hoog.	➤ Reduceer de laadstroom.
	Ontlaadstroom is te hoog.	➤ Reduceer de last. ➤ Controleer de temperatuur van de eStore. ➤ Laad eStore.
	eStore is defect.	➤ Neem contact op met een geautoriseerde dealer.
„Warning eStore” verschijnt op het bedieningspaneel van eCore.	eStore-temperatuur is te laag.	➤ Controleer de status-led van de lader: ➤ Controleer de eStore-temperatuur. ➤ Verwarm de omgeving.
	eStore-temperatuur is te hoog.	➤ Controleer de status-led van de lader: ➤ Controleer de eStore-temperatuur. ➤ Koel de omgeving.

## 13 Garantie

De wettelijke garantieperiode is van toepassing. Als het product defect is, wendt u zich tot het filiaal van de fabrikant in uw land (adressen zie achterkant van de handleiding) of tot uw speciaalzaak.

Voor de afhandeling van de reparatie of garantie dient u de volgende documenten mee te sturen:

- een kopie van de factuur met datum van aankoop,
- reden van de klacht of een beschrijving van de storing.



## 14 Afvoer

- Laat het verpakkingsmateriaal indien mogelijk recyclen.




Als u het product definitief buiten bedrijf stelt, informeer dan bij het dichtstbijzijnde recyclingcentrum of uw speciaalzaak naar de betreffende afvoervoorschriften.



### Bescherm uw milieu!

Accu's en batterijen horen niet thuis in het huishoudelijke afval. Geef uw defecte of verbruikte of defecte accu's bij de leverancier of bij een verzamelpunt af.

## 15 Technische gegevens

	eStore
Artikelnr.:	9102900224
Nominale spanning:	13,2 V---
Bedrijfstemperatuurbereik (bij ontlading):	-30 °C (met gereduceerd vermogen) tot +55 °C
Temperatuurbereik voor laden met eCore: met andere laders:	-10 °C tot +55 °C 0 °C tot +40 °C
Nominale capaciteit:	100 Ah
Afmetingen l x b x h:	315 x 160 x 285 mm
Gewicht:	17 kg
Keurmerk/certificaat:	 IEC 62133 UN 38.3 UN 3480

**Læs denne vejledning omhyggeligt igennem før installation og ibrugtagning, og opbevar den. Giv den til brugeren, hvis du giver produktet videre.**

## Indholdsfortegnelse

1	Forklaring af symbolerne . . . . .	163
2	Generelle sikkerhedshenvisninger. . . . .	164
3	Leveringsomfang. . . . .	165
4	Tilbehør . . . . .	166
5	Korrekt brug . . . . .	167
6	Teknisk beskrivelse . . . . .	168
7	Fastgørelse af eStore. . . . .	170
8	Tilslutning af eStore. . . . .	171
9	Før første brug. . . . .	175
10	Anvendelse af eStore . . . . .	176
11	Rengøring af eStore . . . . .	178
12	Udbedring af fejl . . . . .	179
13	Garanti . . . . .	181
14	Bortskaffelse . . . . .	182
15	Tekniske data. . . . .	182

# 1 Forklaring af symbolerne

**FARE!**

**Sikkerhedshenvisning:** Manglende overholdelse medfører død eller alvorlig kvæstelse.

**ADVARSEL!**

**Sikkerhedshenvisning:** Manglende overholdelse kan medføre død eller alvorlig kvæstelse.

**FORSIGTIG!**

**Sikkerhedshenvisning:** Manglende overholdelse kan medføre kvæstelser.

**VIGTIGT!**

Manglende overholdelse kan medføre materielle skader og begrænse produktets funktion.

**BEMÆRK**

Supplerende informationer om betjening af produktet.

## 2 Generelle sikkerhedshenvisninger

Producenten påtager sig intet ansvar for skader i følgende tilfælde:

- Beskadigelser på apparatet på grund af mekanisk påvirkning og overspændinger og overstrøm
- Ændringer på produktet uden udtrykkelig tilladelse fra producenten
- Anvendelse til andre formål end dem, der er beskrevet i vejledningen

Overhold følgende grundlæggende sikkerhedsforanstaltninger ved brug af elektriske apparater for at beskytte mod:

- Elektrisk stød
- Brandfare
- Kvæstelser

### 2.1 Grundlæggende sikkerhed



#### FARE!

- Anvend i tilfælde af brand en ildslukker, der er egnet til elektriske apparater.



#### ADVARSEL!

- Hvis apparatet eller tilslutningskablet har synlige beskadigelser, må apparatet ikke tages i brug.
- Reparationer på dette apparat må kun foretages af fagfolk. Ved ukorrekte reparationer kan der opstå betydelige farer.
- Personer (inkl. børn), der på grund af deres fysiske, sanse- eller mentale evner eller deres uerfarenhed eller uvidenhed ikke er i stand til at anvende apparatet sikkert, bør kun anvende dette apparat under en ansvarlig persons opsyn eller anvisning.
- **El-apparater er ikke legetøj!**  
Opbevar og anvend apparatet uden for børns rækkevidde.
- Børn bør være under opsyn for at sikre, at de ikke leger med apparatet.



#### VIGTIGT!

- Sammenlign forud for ibrugtagning spændingsangivelsen på typeskiltet med energiforsyningen, der er til rådighed.
- Sørg for, at andre genstande **ikke** forårsager en kortslutning på apparatets kontakter.

- Sørg for, at den positive og den negative klemme **aldrig** berører hinanden.
- Hvis ledninger skal føres gennem vægge med skarpe kanter, skal du anvende tomme rør eller ledningsgennemføringer.
- Træk ikke ledninger løst eller med skarpe knæk ved elektrisk ledende materialer (metal).

## 2.2 Sikkerhed under anvendelse af apparatet



### **FARE! Livsfare på grund af elektrisk stød!**

- Tag aldrig fat i uisolerede ledninger med bare hænder. Dette gælder frem for apparater på vekselstrømnettet.



### **ADVARSEL!**

- Anvend udelukkende apparatet i lukkede, godt ventilerede rum.



### **FORSIGTIG!**

- Anvend **ikke** apparatet
  - i saltholdige, fugtige eller våde omgivelser
  - i nærheden af aggressive dampe
  - i nærheden af brændbare materialer
  - i områder med eksplosionsfare
- Træk ikke i ledninger.

## 3 Leveringsomfang

- eStore-batteri
- Installations- og betjeningsvejledning

## 4 Tilbehør

Kan fås som tilbehør og reservedele (ikke indeholdt i leveringsomfanget):

<b>Delenes betegnelse</b>	<b>Artikelnummer</b>
eStore-BUS-kabelsæt RJ11 og eStore ID-mærkat Til tilslutning mellem flere eStores, hvis eStore-busen anvendes	9102900279
eStore-konfigurationssæt USB-kabel og data-cd Til indstillingen flere eStores – kun Installer	9102900281
eStore-eCore-BUS-kabelsæt CAT5-LAN-kabel, RJ45 Til tilslutning mellem eStore og eCore	9102900280
eStore-MPC01-BUS-kabel Til tilslutning mellem eStore og MPC01	9102200197
eStore-MCA-BUS-kabel Til tilslutning mellem eStore og MCA-ladere, hvis der ikke anvendes en MPC01	9103530048
Reservesikring 250 A Littelfuse Mega-seriee, hulafstand 50,8 mm	9102900282
Sæt eStore-holdebøjle – lodret Til lodret montering af eStore	9102900289
Sæt eStore-holdebøjle – vandret Til vandret montering af eStore	9102900290

## 5 Korrekt brug

eStore anvendes som spændingskilde på 12 V i strømanlæg i campingvogne, autocampere, erhvervskøretøjer og stationære anvendelser. eCore må ikke anvendes til medicinske formål.

I forbindelse med en inverter, f.eks. eCore, kan apparater også forsynes med 230 V $\sim$ .

En anvendelse som startbatteri er ikke mulig. eStore må ikke forbindes direkte med startbatteriet. Med en parallelkobling af flere eStore-batterier kan den tilgængelige strøm være tilstrækkelig til at understøtte startbatteriet. Op til otte eStores kan forbindes parallelt med hinanden for at forøge den samlede installerede kapacitet til op til 800 Ah.

eStore kan transporteres med de indbyggede holdegreb.

## 6 Teknisk beskrivelse

### 6.1 Generel beskrivelse

eStore er et vedligeholdelsesfrit lithium-ion-batteri til 12 VDC-systemer til spændingsforsyning. eStore har en intern hovedafbryder og en intern 250 A-sikring.

I forbindelse med et batterimanagementsystem tilbyder eStore følgende funktioner:

- Battericelleovervågning
- Batterispændingsovervågning
- Battericelleteperaturovervågning ved hjælp af integrerede temperaturfølere
- Kommunikation mellem flere eStore-batterier

eStore kan oplades med ladeapparater som f.eks. eCore eller PerfectCharge MCA-serien. Anvendelsen af ladeapparater fra andre producenter er tilladt. For at sikre, at den interne hovedafbryder forbliver lukket under opladningen under normale betingelser, skal opladeren opfylde følgende krav:

1. Ladeslutspænding: mellem 13,8 V og 14,0 V
2. Maks. udgangseffekt: 40 A pr. tilsluttet eStore (30 A anbefalet)

For at forøge den samlede kapacitet kan indtil 8 eStores parallelkobles. Den fælles maks. udgangsstrøm må ikke overskride 250 A.



#### **BEMÆRK**

En eStore kan i et kort tidsrum stille strøm på 250 A til rådighed. Den konstante strøm bør ikke overskride 200 A. En konstant afladningsstrøm på mere end 200 A fra en eStore kan medføre en kortere levetid. Anvend to eller flere eStores, hvis konstant strøm på over 200 A er nødvendig.



## 6.2 Visnings- og betjeningselementer

Pos. på fig. 1, side 3	Betegnelse	Forklaring
1	Hovedafbryder	Aktiverer (slutter) og deaktiverer (åbner) den interne hovedafbryder
2	Statuslysdiode	Slukket: Batterimanagementsystemet er frakoblet på grund af aktiveret lagermodus eller for kraftig afladning
		Blinker grønt: Batterimanagementsystem aktivt, hovedafbryderen er aktiveret eller tilkoblet (sluttet)
		Blinker gult: Batterimanagementsystem aktivt, hovedafbryderen er deaktiveret eller frakoblet (åbnet)
		Blinker rødt: Funktionsfejl
3	eStore-BUS-interface	
4	LIN-interface til forbindelsen til PerfectCharge MCA-ladere og MPC01	
5	USB-interface til konfiguration	
6	CAN-Bus-interface	

## 6.3 Sikring og tilslutninger

Pos. på fig. 2, side 3	Betegnelse	Forklaring
1	Minuspol	M8-klemme til opladere og forbrugere
2	Intern sikring	250 A – fastgørelseskapsel med standardhulafstand 50,8 mm
3	Pluspol	M8-klemme til opladere og forbrugere

## 7 Fastgørelse af eStore



### ADVARSEL!

eStore må ikke sikres med remme e.lign. over kunststofafdækningen, da det beskadiger eStore.



### BEMÆRK

Vær ved anvendelse af flere forbundne eStores opmærksom på følgende: Konfigurér og markér eStores, før de monteres i køretøjet, se kapitlet „Forbindelse af flere eStores“ på side 173.

### Overhold følgende henvisninger vedrørende monteringsstedet

- eStore kan monteres lodret (fig. **11**, side 6) eller vandret (fig. **12**, side 7) på en plan og stabil flade.
  - eStore må ikke monteres i nærheden af brandfarlige materialer.
  - Monteringsstedet skal beskyttes mod fugt og støv.
  - Lad der mindst være 2 cm fri plads omkring eStore, og sørg for en god ventilation. Monteringen skal forhindre lave temperaturer ved anvendelse om vinteren (opladning) for at sikre konstant drift.
  - Når generatoren installeres (når der bores, skrues osv.), skal det af sikkerhedsmæssige årsager kontrolleres, at der ikke befinder sig kabelbundter, ledninger og andre komponenter, der ikke kan ses, i monteringsområdet!
  - Hvis du installerer mere end en eStore, skal du lade der være mindst 1 cm plads mellem eStores.
- Vælg et egnet monteringssted, og fastgør eStore sikkert dér.
- **Lodret montering:** Anvend de integrerede fastgørelsesfødder (fig. **11**, side 6).  
Passende holdebøjler kan fås som tilbehør (se kapitlet „Tilbehør“ på side 166).
- **Vandret montering:** Sørg for at sikre eStore med to remme eller bånd over apparatet (fig. **12**, side 7). Før dem mellem grebene og fastgørelsesfødderne, og fastgør dem på monteringsfladen. Derved sikres det, at eStore ikke bevæger sig, når køretøjet er i bevægelse.  
Passende holdebøjler kan fås som tilbehør (se kapitlet „Tilbehør“ på side 166).

## 8 Tilslutning af eStore

### 8.1 Åbning af polens afdækning

- ▶ Åbn låsen ved at trykke stiften i midten af låsen lidt ned (fig. **3** 1, side 3).  
Sørg for ikke at trykke den helt ned.
- ▶ Åbn klappen (fig. **3** 2, side 3).
- ▶ Fjern den oplåste lås (fig. **3** 3, side 3).
- ▶ Vær opmærksom på låsens positioner (fig. **4**, side 4):
  - 1: låst op
  - 2: klar til brug
  - 3: låst

### 8.2 Lukning af polens afdækning

- ▶ Skub låsens stift tilbage.
- ▶ Sæt låsen, der er klar til brug, i (fig. **5** 1, side 4).
- ▶ Luk klappen (fig. **5** 2, side 4).
- ▶ Lås låsen ved at trykke stiften i midten af klappen lidt ned (fig. **5** 3, side 4).  
Sørg for ikke at trykke den helt ned.

### 8.3 Aktivering af eStore



#### BEMÆRK

eStore leveres i lagermodus, der reducerer en selvafladning under opbevaringen. For at benytte eStore skal du først aktivere eStore.

- ▶ Åbn polafdækningen (se kapitlet „Åbning af polens afdækning“ på side 171).
- ▶ Forbind pluspolen (fig. **2** 1, side 3) og minuspolen (fig. **2** 2, side 3) med et lavstrøm-12 V  $\text{V}=\text{---}$ -batterie eller en oplader.
- ✓ Statuslysdioden (fig. **1** 2, side 3) blinker gult.
- ✓ eStore ist aktiveret.

## 8.4 Tilslutning af tilslutningskablet



### VIGTIGT!

- Tilslut kun apparater med en nominal spænding på 12 V $\overline{\text{---}}$ .
- Sørg for, at polerne vender rigtigt, når du tilslutter apparater til eStore. Overhold hertil også den efterfølgende betjeningsvejledning.
- Sørg for at sikre, at apparaterne, som du vil tilslutte, er frakoblet.

- Tænd (åbn) hovedafbryderen på eStore ved at trykke på hovedafbryderen (fig. **1** 1, side 3).
- Åbn klappen (kapitlet „Åbning af polens afdækning“ på side 171).
- Forbind pluskablet med pluspolen (fig. **2** 3, side 3).
- Spænd polskruen med et tilspændingsmoment på 13 – 15 Nm.
- Luk klappen (kapitlet „Lukning af polens afdækning“ på side 171).
- Åbn klappen på minuspolen (kapitlet „Åbning af polens afdækning“ på side 171).
- Forbind minuskablet med minuspolen (fig. **2** 1, side 3).
- Spænd polskruen med et tilspændingsmoment på 13 – 15 Nm.
- Luk klappen på minuspolen (kapitlet „Lukning af polens afdækning“ på side 171).
- Sluk (slut) hovedafbryderen på eStore ved at trykke på hovedafbryderen (fig. **1** 1, side 3).

## 8.5 Tilslutning af forbrugere

- Sluk alle apparater, især dem, der er forbundet med eStore.
- Tænd (åbn) hovedafbryderen på eStore ved at trykke på hovedafbryderen (fig. **1** 1, side 3).
- Tilslut 12 V $\overline{\text{---}}$ -apparatet til eStore:
- Sluk (slut) hovedafbryderen på eStore ved at trykke på hovedafbryderen (fig. **1** 1, side 3).
- Tænd 12 V $\overline{\text{---}}$ -apparatet.

## 8.6 Tilslutning af datakablet

eStore kan du forbinde på følgende måde ved datakommunikation:

- Til eCore via CAN-bussen
- Til en PerfectCharge MCA-lader via LIN-/CI-bus
- Til en PerfectCharge MCA-lader via LIN-/CI-bus via MPC01

Med dataforbindelsen kan parametre som f.eks. spænding, temperatur og ladetilstand kontrolleres og vises. Yderligere oplysninger findes i de tilsvarende betjeningsvejledninger til apparaterne.

► Etablér dataforbindelsen i overensstemmelse med din apparatkonfiguration.

## 8.7 Forbindelse af flere eStores

Op til otte eStores kan forbindes parallelt med hinanden for at forøge den samlede kapacitet til op til 800 Ah. Figuren viser en dataforbindelse for tre forbundne eStores (fig. 6, side 4).



### BEMÆRK

- For at forbinde flere eStores med hinanden har du brug for mindst et BUS-kabel og eStore-konfigurationssættet (se kapitlet „Tilbehør“ på side 166).
- eStores, der er forbundet med hinanden, skal indstilles med eStore-konfiguratoren (kapitlet „Forbindelse og konfiguration af BUS-kabel“ på side 174). Hvis du kun anvender en enkelte eStore, har du ikke brug for at indstille. eStore er fra fabrikken forindstillet til anvendelse som enkeltbatteri.
- Sørg for, at alle eStores er opladet fuldstændigt efter installationen.

Den første eStore anvendes som Master. Den opfylder følgende funktioner:

- Den styrer hovedafbryderen på de andre eStores (afb. 6, pagina 4).
- Den forbinder opladerne via CAN/LIN.

De øvrige eStores styres som slaves og master.

## Forbindelse og konfiguration af BUS-kabel

Ved konfigurationen har du brug for en pc med USB-tilslutning og eStore-konfigurator.

Afhængigt af monteringsituationen er det meningsfuldt at konfigurere og mærke eStores før monteringen i køretøjet.

- ▶ Sørg for, at eStore ikke befinder sig i hukommelsesmodus (status-LED blinker).
- ▶ Sæt USB-kablet fra pc'en i USB-interfacet (fig. **1** 5, side 3) for den første eStore (master).
- ▶ Konfigurér masteren, se i kapitlet „Konfigurering af forbundne eStores“ på side 174.
- ▶ Placér ID-mærkaten (fig. **6** 6, side 4) på masteren (fig. **6** 1, side 4).
- ▶ Træk USB-kablet af masteren.
- ▶ Sæt USB-kablet fra pc'en i USB-interfacet for den første slave.
- ▶ Placér ID-mærkaten (fig. **6** 3, side 4) på slaven (fig. **6** 2, side 4).
- ▶ Konfigurér evt. de resterende slaves.
- ▶ Forbind eStores med BUS-kablerne (fig. **6** 4, side 4).

## 8.8 Konfigurering af forbundne eStores

- ▶ Installér evt. ModbusReader „mbrader\_setup.exe“ fra data-cd'en til pc'en.
- ▶ Kopiér filen „eStore\_Configuration\_utility\_FM739.mbc“ fra data-cd'en til pc'ens harddisk.
- ▶ Åbn filen „eStore\_Configuration\_utility\_FM739.mbc“.
- ✓ eStore-konfiguratoren åbnes (fig. **7**, side 5).
- ▶ Tryk på **CTRL + F**, eller vælg kommandoen **Find COM** (fig. **8** 1, side 5) i menuen „Connection“ .
- ▶ Vælg det nye port-nummer, i eksemplet COM18 (fig. **8** 2, side 5).
- ▶ Tryk på **CTRL + P**, eller vælg kommandoen **COM Parameters** (fig. **8** 3, side 5) i menuen „Connection“ .
- ▶ Vinduet **COM Settings** åbnes.
- ▶ Vælg værdien **Even** i valglisten **Parity** (fig. **8** 4, side 5).
- ▶ Klik på **OK** (fig. **8** 5, side 5).

- Indtast nummere på eStore i feltet **Pack Address**, f.eks. „1“ for master (fig. **9** 1, side 5).
  - Tryk på "F2", eller vælg kommandoen **Connect** (fig. **8** 6, side 5) i menuen „Connection“.
  - Tryk på enter-tasten.
  - Indtast antallet af alle eStore i feltet **Total Pack Number**, f.eks. „3“, hvis du vil tilslutte i alt tre apparater (fig. **9** 2, side 5).
  - Tryk på enter-tasten.
  - Indtast antallet af alle eStore i feltet **Parallel Pack Number**, f.eks. „3“, hvis du vil tilslutte i alt tre apparater (fig. **9** 3, side 5).
- Bemærk:** Total Pack Number og Parallel Pack Number skal være identiske.
- Tryk på enter-tasten.
  - Indtast passwordet **3331** (fig. **9** 4, side 5).
  - Tryk på enter-tasten.
  - Placér ID-mærkaten (fig. **9** 5, side 5).

**Bemærk:** Nummeret på den sidste eStore skal være identisk med det samlede antal eStores.

## 9 Før første brug



### BEMÆRK

Sørg for, at den enkelte eller flere eStores er opladet fuldstændigt efter installationen, da en afladning i modsat fald kan forårsage skader.

## 10 Anvendelse af eStore



### VIGTIGT!

Lad ikke eStore være i afladet tilstand.

Hvis hovedafbryderen åbner på grund af for kraftig afladning, skal du oplade eStore igen så hurtigt som muligt (maks. 5 dage). I modsat fald skifter eStore til lagermodus og kan blive beskadiget.



### BEMÆRK

Overhold følgende henvisninger for at forlænge levetiden for eStore.

- Undgå en så kraftig afladning, at hovedafbryderen åbner (se kapitlet „Driftsspændinger og hovedafbryder“ på side 176).
- Undgå ekstremt høje eller lave temperaturer under opladningen eller opbevaringen.
- Undgå en konstant høj afladning (> 200 A).

### 10.1 Driftsspændinger og hovedafbryder

eStore-batterimanagementsystemet (BMS) analyserer tilstanden for hver enkelt celle i batteriet for at fastlægge, hvornår batteriet skal beskyttes mod, at hovedafbryderen åbner.

Hovedafbryderen fungerer på følgende måde:

eStore-tilstand	Hovedafbryderreaktion
Afladning	<p>&lt; 30 A, 11 – 12 V: Hovedafbryder åbner</p> <p>&gt; 30 A, 10 – 11,8 V: main switch åbner</p> <p>Det er vejledende værdier og nævnes kun som orientering. Hovedafbryderens åbningsspænding afhænger af interne parametre som f.eks. cellespænding og -temperatur samt afladningsstrømmen. De anførte stømværdier gælder for hver enkelt eStore.</p>
Ladning	<p>Hovedafbryderens åbningsspænding afhænger af interne parametre som f.eks. cellespænding og -temperatur samt ladestrømmen. Den maks. spænding, før hovedafbryderen åbner, er 15,2 V. Opladning med de anbefalede ladeparametre under normal drift sikrer, at hovedafbryderen bliver lukket.</p> <p>Se kapitlet „Opladning af eStore“ på side 177 for de anbefalede ladeparametre.</p>



## 10.2 Opladning af eStore



### VIGTIGT!

eStore kan oplades med ladeapparater som f.eks. eCore eller PerfectCharge MCA-ladere (vælg Power Mode, se laderens betjeningsvejledning for den tilsvarende DIP-omskifterstilling). Anvendelsen af ladeapparater fra andre producenter er tilladt. Hovedafbryderen forbliver lukket under opladningen under normale betingelser, når følgende laderparametre er opfyldt:

- Ladesluts spænding: mellem 13,8 V og 14,0 V
- Maks. udgangseffekt: 40 A pr. tilsluttet eStore (30 A anbefalet)



### BEMÆRK

Læs også på betjeningsvejledningen til den anvendte oplader.

## 10.3 Udskiftning af sikringen



### BEMÆRK

Anvend mask. en 250 A-sikring med 50,8 mm hulafstand.

Gå frem på følgende måde for at udskifte sikringen:

- ▶ Åbn afdækningen på pluspolen (kapitlet „Åbning af polens afdækning“ på side 171).
- ▶ Fjern møtrikkerne og spændeskiverne på sikringen (fig. **10** 1, side 6).
- ▶ Udskift sikringen (fig. **10** 2, side 6).
- ▶ Fastgør den nye sikring med møtrikkerne og spændeskiver (fig. **10** 1, side 6). Spænd møtrikkerne mellem 13 og 15 Nm.
- ▶ Luk klappen på pluspolen (kapitlet „Lukning af polens afdækning“ på side 171).

## 10.4 Opbevaring af eStore



### BEMÆRK

- Opbevar eStore på et køligt, tørt sted.
- Undgå opbevaring ved konstant høje temperaturer. Det forkorter levetiden.
- Oplad eStore hver 3. måned.
- For en længere opbevaring (f.eks. vinterpause for køretøjet):
  - Fjern alle forbrugere.
  - Oplad eStore.
  - Åbn hovedafbryderen.

Det forhindrer en for kraftig afladning og beskadigelse af eStore.

## 11 Rengøring af eStore



### VIGTIGT!

Anvend ikke skarpe eller hårde genstande eller rengøringsmidler til rengøring, da det kan beskadige produktet.

- Rengør af og til produktet med en fugtig klud.

## 12 Udbedring af fejl

Fejl	Årsag	Udbedring
Der er ikke spænding på batteriklemmerne.	Hovedafbryderen er slukket (åbnet).	➤ Tænd (slut) hovedafbryderen.
	Sikringen er defekt.	➤ Udskift sikringen (se kapitlet „Udskiftning af sikringen“ på side 177).
	eStore er i hukommelsesmodus.	➤ Aktivér eStore.
	eStore er ikke konfigureret korrekt.	➤ Konfigurer eStore.
	eStore er dybafladet.	➤ Oplad eStore med en ladestrøm på < 10 A. <b>Bemærk:</b> Anvend ikke intelligente ladesystemer (med tændt hovedafbryder er der ingen spænding på klemmerne. Intelligente batteriladere starter ikke, når der ikke findes en spænding). ➤ Kontakt en autoriseret faghandel.
	eStore er defekt.	➤ Kontakt en autoriseret faghandel.
Statuslysdioden blinker ikke.	eStore er i hukommelsesmodus.	➤ Aktivér eStore.
	eStore er kraftigt dybafladet.	➤ Oplad eStore med en ladestrøm på < 10 A. <b>Bemærk:</b> Anvend ikke intelligente ladesystemer (med tændt hovedafbryder er der ingen spænding på klemmerne. Intelligente batteriladere starter ikke, når der ikke findes en spænding). ➤ Kontakt en autoriseret faghandel.
	eStore er defekt.	➤ Kontakt en autoriseret faghandel.

Fejl	Årsag	Udbedring
Statuslysdioden blinker rødt.	eStore er konfigureret til tilslutning af flere eStores, og BUS-kablet er ikke sat i.	➤ Sæt eStore-kablet i.
	eStore er dybafladet.	➤ Oplad eStore.
	eStore er overopladet.	➤ Afbryd opladerne fra eStore. ➤ Kontrollér batteriladernes ladespænding.
	eStore er defekt.	➤ Kontakt en autoriseret faghandel.
eStore reagerer ikke på, at hovedafbryderen tændes.	eStore er i hukommelsesmodus.	➤ Aktivér eStore.
	eStore4 er dybafladet.	➤ Oplad eStore med en ladestrøm på < 10 A. <b>Bemærk:</b> Anvend ikke intelligente ladesystemer (med tændt hovedafbryder er der ingen spænding på klemmerne. Intelligente batteriladere starter ikke, når der ikke findes en spænding). ➤ Kontakt en autoriseret faghandel.
	eStore er konfigureret som slave og ikke som master.	➤ Anvend hovedafbryderen på eStore-master (eStore konfigureret som #1)
	Konfiguration til tilslutning af flere eStores er defekt.	➤ Kontrollér konfigurationen.
	eStore er defekt.	➤ Kontakt en autoriseret faghandel.

Fejl	Årsag	Udbedring
Hovedafbryder tændt (sluttes) og slukker (åbner) straks igen.	eStore er dybafladet.	➤ Oplad eStore.
	eStore er overopladet.	➤ Afbryd opladerne fra eStore. ➤ Kontrollér batteriladernes ladespænding.
	Ladestrøm er for høj.	➤ Reducér ladestrømmen.
	Afladningsstrøm er for høj.	➤ Reducér belastningen. ➤ Kontrollér temperaturen på eStore. ➤ Oplad eStore.
	eStore er beskadiget.	➤ Kontakt en autoriseret faghandel.
„Warning eStore“ vises på betjeningspanelet på eCore.	eStore-temperatur er for lav.	➤ Kontrollér opladerens statuslysdiode. ➤ Kontrollér eStore-temperaturen. ➤ Opvarm omgivelserne.
	eStore-temperatur er for høj.	➤ Kontrollér opladerens statuslysdiode. ➤ Kontrollér eStore-temperaturen. ➤ Afkøl omgivelserne.

## 13 Garanti

Den lovbestemte garantiperiode gælder. Hvis produktet er defekt, skal du kontakte producentens afdeling i dit land (adresser, se vejledningens bagside) eller din forhandler.

Ved reparation eller krav om garanti skal du medsende følgende bilag:

- En kopi af regningen med købsdato
- En reklamationsgrund eller en fejlbeskrivelse

## 14 Bortskaffelse

- Bortskaf så vidt muligt emballagen sammen med det tilsvarende genbrugsaffald.



Hvis du tager produktet endegyldigt ud af drift, skal du kontakte det nærmeste recyclingcenter eller din faghandel for at få de pågældende forskrifter om bortskaffelse.




### Beskyt miljøet!

Genopladelige og ikke genopladelige batterier hører ikke til i husholdningsaffaldet.

Aflever defekte genopladelige batterier og brugte batterier hos forhandleren eller ved et indsamlingssted.

## 15 Tekniske data

	eStore
Art.nr.:	9102900224
Nominal spænding:	13,2 V $\text{---}$
Driftstemperaturområde (af afladning):	-30 °C (med reduceret effekt) til +55 °C
Temperaturområde for opladningen Med eCore: Med andre opladere:	-10 °C til +55 °C 0 °C til +40 °C
Nominal kapacitet:	100 Ah
Mål L x B x H:	315 x 160 x 285 mm
Vægt:	17 kg
Godkendelse/certifikat:	 IEC 62133 UN 38.3 UN 3480

**Läs igenom anvisningarna noga innan produkten monteras och används. Spara monterings- och bruksanvisningen för senare bruk. Överlämna bruksanvisningen till den nya ägaren vid ev. vidareförsäljning.**

## Innehållsförteckning

1	Förklaring av symboler .....	184
2	Allmänna säkerhetsanvisningar .....	185
3	Leveransomfattning. ....	186
4	Tillbehör .....	187
5	Ändamålsenlig användning .....	188
6	Teknisk beskrivning. ....	189
7	Fästa eStore. ....	191
8	Ansluta eStore .....	192
9	Före den första användningen .....	196
10	Använda eStore. ....	197
11	Rengöra eStore .....	199
12	Felsökning .....	200
13	Garanti .....	202
14	Avfallshantering. ....	203
15	Tekniska data. ....	203

# 1 Förklaring av symboler

**FARA!**

**Observera:** Beaktas anvisningen ej leder det till dödsfara eller svåra skador.

**VARNING!**

**Observera:** Beaktas anvisningen ej kan det leda till dödsfara eller svåra skador.

**AKTA!**

**Observera:** Beaktas anvisningen ej kan det leda till kroppsskador.

**OBSERVERA!**

Om anvisningarna inte beaktas kan det leda till materialskador och produktens funktion kan påverkas negativt.

**ANVISNING**

Kompletterande information om användning av produkten.



## 2 Allmänna säkerhetsanvisningar

Tillverkaren övertar inget ansvar för skador i följande fall:

- Skador på produkten, orsakade av mekanisk påverkan och överspänning och överström
- Ändringar som utförts utan uttryckligt medgivande från tillverkaren
- Ej ändamålsenlig användning

Beakta nedanstående grundläggande säkerhetsanvisningar för elapparater för att förhindra:

- elstötar
- brandfara
- skador.

### 2.1 Allmän säkerhet



#### **FARA!**

- Vid brand, använd en brandsläckare som är lämplig för elektriska apparater.



#### **VARNING!**

- Om apparaten eller anslutningskabeln uppvisar synliga skador får apparaten ej tas i drift.
- Reparationer på apparaten får endast utföras av behörigt fackfolk. Icke fackmässiga reparationer kan medföra allvarliga risker.
- Personer (och barn), som på grund av fysiska, sensoriska eller mentala funktionshinder eller på grund av oerfarenhet eller ovetande inte kan använda apparaten på ett säkert sätt, bör inte använda apparaten utan uppsikt eller hjälp av en ansvarig person.
- **Elapparater är inga leksaker!**  
Förvara och använd apparaten utom räckhåll för barn.
- Barn bör hållas under uppsikt, så att de inte leker med apparaten.

**OBSERVERA!**

- Jämför spänningsinformationen på typskylten med spänningen på ditt uttag innan apparaten tas i drift.
- Se till att andra föremål **inte** orsakar en kortslutning på apparaten.
- Se till att plus- och minusklämman **aldrig** vidrör varandra.
- Använd tomma rör eller kabelgenomföringar om kablarna ska dras genom väggar med vassa kanter.
- Lägg inte kablarna löst eller med skarpa böjor på elektriskt ledande material (metall).

## 2.2 Säkerhet under användning

**FARA! Livsfara p.g.a. elektriska stötar!**

- Ta inte tag i avskalade ledningar med händerna. Detta gäller framför allt för apparater som drivs med växelström (elnät).

**VARNING!**

- Använd apparaten endast i slutna och väl ventilerade utrymmen.

**AKTA!**

- Använd **inte** apparaten
  - i salthaltiga, fuktiga eller blöta omgivningar
  - i närheten av aggressiva ångor
  - i närheten av brännbara material
  - i explosionsfarliga omgivningar
- Dra inte i kablarna.

## 3 Leveransomfattning

- eStore batteri
- Monterings- och bruksanvisning

## 4 Tillbehör

Finns som tillbehör och reservdelar (ingår inte i leveransen):

Komponent	Artikelnummer
eStore-BUS-kabelsats RJ11 och eStore ID-etikett För anslutning av flera eStores, när eStore-bus används	9102900279
eStore-konfigurationssats USB-kabel och data-CD För installation av flera eStores – endast installationsprogram	9102900281
eStore-eCore-BUS-kabelsats CAT5-LAN-kabel, RJ45 För anslutning mellan eStore och eCore	9102900280
eStore-MPC01-BUS-kabel För anslutning mellan eStore och MPC01	9102200197
eStore-MCA-BUS-kabel För anslutning mellan eStore och MCA-laddare, om ingen MPC01 används	9103530048
Reservsäkring 250 A Littelfuse Mega-serie, hålavstånd 50,8 mm	9102900282
Sats eStore-fästbygel- lodrät För lodrätt montering av eStore	9102900289
Sats eStore-fästbygel- vågrät För vågrätt montering av eStore	9102900290

## 5 Ändamålsenlig användning

eStore fungerar som spänningskälla för 12 V i elsystem i husbilar, husvagnar, yrkesfordon och för stationär användning. eCore får inte användas för medicinska ändamål.

Tillsammans med en växelriktare, t.ex. eCore går det även att driva apparater med 230 V $\sim$ .

eCore kan inte användas som startbatteri. eStore får inte anslutas direkt till startbatteriet. Om man parallellkopplar flera eStore-batterier kan strömmen räcka till för att stödja startbatteriet. Det går att parallellkoppla upp till åtta eStores för att höja den totalt installerade kapaciteten till upp till 800 Ah.

eStore kan transporteras med de inbyggda handtagen.

## 6 Teknisk beskrivning

### 6.1 Allmän beskrivning

eStore är ett underhållsfritt Li-jonbatteri för 12 VDC-system och fungerar som spänningskälla. eStore har en intern huvudbrytare och en intern 250 A-säkring.

Tillsammans med ett batterihanteringssystem kan eStore erbjuda följande funktioner:

- Battericellsövervakning
- Batterispänningsövervakning
- Övervakning av battericellstemperatur med integrerade temperaturgivare
- Kommunikation mellan flera eStore-batterier

eStore kan laddas med laddare som eCore eller laddarna i PerfectCharge MCA-serien. Det är även möjligt att använda laddare från andra tillverkare. För att säkerställa att den inbyggda huvudbrytaren är sluten vid laddning under normala förhållanden, ska laddaren uppfylla följande krav:

1. Spänning vid slutet av laddningen: ligger på mellan 13,8 V och 14,0 V
2. Max. utgående spänning: 40 A per ansluten eStore (30 A rekommenderas)

För att höja den totala kapaciteten kan upp till 8 eStores parallellkopplas. Gemensam max. utgående ström får inte överskrida 250 A.



#### **ANVISNING**

En eStore kan leverera ström på 250 A endast under en kort tid. Kontinuerlig ström bör inte överskrida 200 A. En kontinuerlig urladdningsström på mer än 200 A från en eStore kan leda till kortare livslängd. Använd två eller fler eStores om 200 A behövs kontinuerligt.

## 6.2 Lysdioder och reglage

Pos. på bild 1, sida 3	Beteckning	Förklaring
1	Huvudbrytare	Aktiverar (stänger) och avaktiverar (öppnar) den interna huvudbrytaren
2	Statuslysdiod	Av: Batterihanteringssystemet är avstängt p.g.a. aktiverat förvaringsläge eller fördjup urladdning.  Blinkar grönt: Batterihanteringssystem aktivt, huvudbrytaren är aktiverad eller påslagen (stängd)  Blinkar gult: Batterihanteringssystem aktivt, huvudbrytaren är avaktiverad eller avstängd (öppen)  Blinkar rött: Funktionsstörning
3	eStore-BUSS-gränssnitt	
4	LIN-gränssnitt för anslutning till PerfectCharge MCA-laddare och MPC01	
5	USB-gränssnitt för konfiguration	
6	CAN-buss-gränssnitt	

## 6.3 Säkring och anslutningar

Pos. på bild 2, sida 3	Beteckning	Förklaring
1	Minuspol	M8-klämma för laddare och förbrukare
2	Intern säkring	250 A – Fästhål med standardavstånd mellan hål på 50,8 mm
3	Pluspol	M8-klämma för laddare och förbrukare

## 7 Fästa eStore



### VARNING!

eStore får inte fästas på plastkåpan med bälten, eller liknande, eftersom detta riskerar att skada eStore.



### ANVISNING

Observera följande vid användning av flera anslutna eStores: Konfigurer och markera eStore-batterierna innan de monteras i fordonet, se kapitel "Ansluta flera eStores" på sidan 194.

### Beakta följande anvisningar gällande monteringsplatsen:

- eStore kan monteras lodrätt (bild **11**, sida 6) eller vågrätt (bild **12**, sida 7), det ska monteras på en jämn och stabil yta.
  - eStore får inte monteras i närheten av brännbara material.
  - Monteringsplatsen bör vara skyddad mot fukt och damm.
  - Lämna minst 2 cm plats runt omkring eStore och se till ventilationen är god. Enheten ska monteras så att låga temperaturer förhindras i vinterläget (laddning) och så att permanent drift säkerställs
  - Var, av säkerhetsskäl, uppmärksam på existerande kablar, ledningar och andra komponenter (speciellt sådana som inte syns utifrån) vid monteringen (borring, skruvning etc)!
  - Om du installerar mer än en eStore, lämna minst 1 cm plats mellan eStore-batterierna.
- Välj en lämplig monteringsplats och och fäst eStore så att det sitter ordentligt fast.
- **Lodrätt montering** Använd de inbyggda fästskenorna (bild **11**, sida 6). Passande fästbyglar erhålls som tillbehör (se kapitel "Tillbehör" på sidan 187).
- **Vågrätt montering** Sätt fast eStore ovanför apparaten med två remmar/band (bild **12**, sida 7). Dra remmarna/banden mellan handtagen och fästskenorna och sätt fast dem på monteringsytan. Därigenom säkerställer man att eStore inte rör sig när fordonet körs. Passande fästbyglar erhålls som tillbehör (se kapitel "Tillbehör" på sidan 187).

## 8 Ansluta eStore

### 8.1 Öppna polens kåpa

- ▶ Lås upp locket genom att lätt trycka ner stiftet i mitten av locket (bild **3** 1, sida 3).  
Var försiktig så att du inte trycker ner stiftet helt.
- ▶ Öppna luckan (bild **3** 2, sida 3).
- ▶ Avlägsna det upplåsta locket (bild **3** 3, sida 3).
- ▶ Beakta lockets positioner (bild **4**, sida 4):
  - 1: Upplåst
  - 2: Redo att användas
  - 3: Låst

### 8.2 Stänga polens kåpa

- ▶ Skjut tillbaka stiftet i locket.
- ▶ Sätt tillbaka locket (bild **5** 1, sida 4).
- ▶ Stäng luckan (bild **5** 2, sida 4).
- ▶ Lås locket genom att lätt trycka ner stiftet i mitten av luckan (bild **5** 3, sida 4).  
Var försiktig så att du inte trycker ner stiftet helt.

### 8.3 Aktivera eStore



#### ANVISNING

eStore levereras i förvaringsläge som förhindrar att eStore laddas ur av sig själv vid förvaring. eStore måste först aktiveras för att kunna användas.

- ▶ Öppna polluckan (se kapitel "Öppna polens kåpa" på sidan 192).
- ▶ Anslut pluspolen (bild **2** 1, sida 3) och minuspolen (bild **2** 2, sida 3) med ett lågströms-12 V---batteri eller en laddare.
- ✓ Statuslysdioden (bild **1** 2, sida 3) blinkar gult.
- ✓ eStore är aktiverat.



## 8.4 Ansluta anslutningskabeln



### OBSERVERA!

- Anslut endast apparater med en nätspänning på 12 V $\overline{=}$ .
- Se till att polariteten är korrekt när du ansluter apparater till eStore. Observera även anvisningarna i de olika apparaternas bruksanvisningar.
- Se till att apparaterna som du vill ansluta är avstängda.

- Slå på (öppna) huvudbrytaren genom att trycka på huvudbrytaren (bild **1** 1, sida 3).
- Öppna luckan (kapitel "Öppna polens kåpa" på sidan 192).
- Anslut pluskabeln med pluspolen (bild **2** 3, sida 3).
- Dra åt polskruven med ett åtdragningsmoment på 13 – 15 Nm.
- Stäng luckan (kapitel "Stänga polens kåpa" på sidan 192).
- Öppna minuspolens lucka (kapitel "Öppna polens kåpa" på sidan 192).
- Anslut minuskabeln med minuspolen (bild **2** 1, sida 3).
- Dra åt polskruven med ett åtdragningsmoment på 13 – 15 Nm.
- Stäng minuspolens lucka (kapitel "Stänga polens kåpa" på sidan 192).
- Stäng av (stäng) huvudbrytaren genom att trycka på huvudbrytaren (bild **1** 1, sida 3).

## 8.5 Ansluta apparater

- Stäng av alla apparater, framför allt de som är anslutna till eStore.
- Slå på (öppna) huvudbrytaren genom att trycka på huvudbrytaren (bild **1** 1, sida 3).
- Anslut 12 V $\overline{=}$ -apparaten till eStore.
- Stäng av (stäng) huvudbrytaren genom att trycka på huvudbrytaren (bild **1** 1, sida 3).
- Slå på 12 V $\overline{=}$ -apparaten.

## 8.6 Ansluta datakabel

För datakommunikation kan eStore kan anslutas på följande sätt:

- till eCore via CAN-bussen
- till en PerfectCharge MCA-laddare via LIN-/CI-bus
- till en PerfectCharge MCA-laddare via LIN-/CI-bus via MPC01

Med dataanslutningen kan man kontrollera och visa parametrar som spänning, temperatur och laddningstillstånd. Mer information finns i respektive apparats bruksanvisning.

► Upprätta dataanslutningen i enlighet med hur apparaten är konfigurerad.

## 8.7 Ansluta flera eStores

Det går att parallellkoppla upp till åtta eStores för att höja den totala kapaciteten till upp till 800 Ah. Bilden visar en dataanslutning med tre anslutna eStores (bild **6**, sida 4).



### ANVISNING

- För att kunna ansluta fler eStores med varandra behöver du minst en BUSS-kabel och eStore-konfigurationskitet (se kapitel "Tillbehör" på sidan 187).
- eStores som anslutits till varandra måste ställas in med eStore-konfiguratoren (kapitel "Ansluta och konfigurera BUSS-kabel" på sidan 195). Om du bara använder en enda eStore behöver du inte göra några inställningar. eStore är fabriksinställd för användning som enskilt batteri.
- Säkerställ att alla eStores är helt uppladdade efter installationen.

Den första eStore fungerar som master. Den uppfyller följande funktioner:

- Den styr de andra eStore-batteriernas huvudbrytare.
- Den ansluter laddarna via CAN/LIN (bild **6**, sida 4).

Övriga eStores är slaves som styrs av mastern.

## Ansluta och konfigurera BUSS-kabel

För konfigurationen behöver du en PC med USB-uttag och eStore-konfiguratorn.

Beroende på monteringsituationen är det fördelaktigt att konfigurera och märka eStore-batterierna innan de monteras i fordonet.

- Säkerställ att eStore inte befinner sig i lagringsläge (statuslysdiod blinkar).
- Sätt i USB-kabeln från PC:n till USB-gränssnittet (bild **1** 5, sida 3) på det första eStore (master).
- Konfigurera mastern, se kapitel "Konfigurera anslutna eStores" på sidan 195.
- Applicera ID-märkningen (bild **6** 6, sida 4) på mastern (bild **6** 1, sida 4).
- Dra bort USB-kabeln från mastern.
- Sätt i USB-kabeln från PC:n till USB-gränssnittet på den första slaven.
- Applicera ID-märkningen (bild **6** 3, sida 4) på slaven (bild **6** 2, sida 4).
- Konfigurera vid behov de övriga slave-enheterna.
- Anslut eStore-batterierna med BUSS-kablarna (bild **6** 4, sida 4).

## 8.8 Konfigurera anslutna eStores

- Installera vid behov ModbusReader "mbreader\_setup.exe" från data-CD:n på PC:n.
- Kopiera filen "eStore\_Configuration\_utility\_FM739.mbc" från data-CD:n till PC:ns hårddisk.
- Öppna filen "eStore\_Configuration\_utility\_FM739.mbc".
- ✓ eStore-konfiguratorn öppnas (bild **7**, sida 5).
- Tryck på **CTRL+F** eller välj kommandot **Find COM** (bild **8** 1, sida 5) i menyn "Connection".
- Välj det nya portnumret, i exemplet COM18 (bild **8** 2, sida 5).
- Tryck på **CTRL+P** eller välj kommandot **COM Parameters** (bild **8** 3, sida 5) i menyn "Connection".
- Skärmen **COM Settings** öppnas.
- Välj värdet Even i urvalslistan **Parity** (bild **8** 4, sida 5).
- Klicka på **OK** (bild **8** 5, sida 5).

- I fältet **Pack Address**, ange numret för eStore, t.ex. "1" för mastern (bild **9** 1, sida 5).
- Tryck på "F2" eller välj kommandot **Connect** (bild **8** 6, sida 5) i menyn "Connection".
- Tryck på Enter.
- I fältet **Total Pack Number**, ange antalet eStores, t.ex. "3" om du vill ansluta totalt tre apparater (bild **9** 2, sida 5).
- Tryck på Enter.
- I fältet **Parallel Pack Number**, ange antalet eStores, t.ex. "3" om du vill ansluta totalt tre apparater (bild **9** 3, sida 5).  
**Anvisning:** Värdena i Total Pack Number och Parallel Pack Number måste vara identiska.
- Tryck på Enter.
- Ange lösenordet **3331** (bild **9** 4, sida 5).
- Tryck på Enter.
- Applicera ID-märkningen (bild **9** 5, sida 5).  
**Anvisning:** Numret på den sista eStore måste vara identiskt med det totala antalet eStores.

## 9 Före den första användningen



### ANVISNING

Säkerställ att eStore-batteriet eller -batterierna är helt uppladdade efter installationen eftersom en urladdning kan orsaka skador.

## 10 Använda eStore



### OBSERVERA!

Låt inte eStore vara urladdat för länge.

Om huvudbrytaren öppnas på grund av för djup urladdning: ladda upp eStore så snabbt som möjligt (vänta högst 5 dagar). Annars övergår eStore till förvaringsläget och kan skadas.



### ANVISNING

Observera följande anvisningar för att öka eStore-batteriets livslängd:

- Undvik djupa urladdningar, som leder till att huvudbrytaren öppnas (se kapitel "Driftspänningen och huvudbrytaren" på sidan 197).
- Se till att eStore inte utsätts för extremt höga eller låga temperaturer under laddningen eller vid förvaring.
- Undvik en kontinuerligt hög urladdning (> 200 A).

### 10.1 Driftspänningen och huvudbrytaren

eStore-batterihanteringssystemet (BMS) analyserar tillståndet i varje battericell för att på så sätt fastställa när batteriet behöver skyddas genom att huvudbrytaren öppnas.

Huvudbrytaren fungerar enligt följande:

eStore-tillstånd	Huvudbrytarens funktion
Urladdning	<p>&lt; 30 A, 11 – 12 V: Huvudbrytaren öppnas</p> <p>&gt; 30 A, 10 – 11,8 V: huvudbrytaren öppnas</p> <p>Detta är riktvärden som bara ska användas som orienteringshjälp. Öppningsspänningen för huvudbrytaren beror på interna parametrar, som cellspänning och -temperatur samt urladdningsström. Angivna strömvärden gäller för varje enskilt eStore.</p>
Laddning	<p>Öppningsspänningen för huvudbrytaren beror på interna parametrar som cellspänning och -temperatur samt laddström. Max. spänningen för att huvudbrytaren ska öppnas är 15,2 V. Laddning med rekommenderade laddningsparametrar i normalt driftläge säkerställer att huvudbrytaren förblir sluten.</p> <p>Se kapitel "Ladda eStore" på sidan 198 för rekommenderade laddningsparametrar.</p>

## 10.2 Ladda eStore



### OBSERVERA!

eStore kan laddas med laddare som t.ex. eCore eller PerfectCharge MCA-laddare (välj power-läge; se laddarens bruksanvisning för resp. DIP-switchläge). Det är även möjligt att använda laddare från andra tillverkare. Normalt sett är huvudbrytaren sluten när följande laddningsparametrar uppfylls:

- Spänning vid slutet av laddningen: ligger på mellan 13,8 V och 14,0 V
- Max. utgående spänning: 40 A per ansluten eStore (30 A rekommenderas)



### ANVISNING

Observera bruksanvisningen till laddaren som används.

## 10.3 Byta säkring



### ANVISNING

Använd max. en 250 A-säkring med ett avstånd på 50,8 mm mellan hålen.

Byta säkringen:

- Öppna pluspolens lucka (kapitel "Öppna polens kåpa" på sidan 192).
- Avlägsna säkringens muttrar och underläggsbrickor (bild **10** 1, sida 6).
- Byt säkringen (bild **10** 2, sida 6).
- Fäst den nya säkringen med muttrarna och underläggsbrickorna (bild **10** 1, sida 6). Dra åt muttrarna med mellan 13 och 15 Nm.
- Stäng pluspolens lucka (kapitel "Stänga polens kåpa" på sidan 192).

## 10.4 Förvara eStore



### ANVISNING

- Förvara eStore i ett svalt och torrt utrymme.
- Se till att eStore inte utsätts för kontinuerlig höga temperaturer vid förvaring. Detta förkortar livslängden.
- Ladda eStore var 3:e månad.
- För längre förvaring (t.ex. under vintern):
  - Koppla bort alla förbrukare.
  - Ladda eStore.
  - Öppna huvudbrytaren.

Det förhindrar för stor urladdning och skador på eStore.

## 11 Rengöra eStore



### OBSERVERA!

Använd inga vassa eller hårda föremål för rengöring, använd inga skarpa rengöringsmedel; produkten kan skadas.

- Rengör produkten då och då med en fuktig trasa.

## 12 Felsökning

Fel	Orsak	Åtgärd
Ingen spänning ligger an på batteriklämmorna.	Huvudbrytaren är avstängd (öppen).	➤ Slå på (stäng) huvudbrytaren.
	Säkringen är defekt.	➤ Byt säkringen (se kapitel "Byta säkring" på sidan 198).
	eStore är i lagringsläge.	➤ Aktivera eStore.
	eStore är inte korrekt konfigurerat.	➤ Konfigurera eStore.
	eStore har laddats ur helt.	➤ Ladda upp eStore med en laddningsström på < 10 A. <b>Anvisning:</b> Använda inga intelligenta laddningssystem (med påslagen huvudbrytare ligger ingen spänning an på klämmorna. Intelligenta batteriladdare startar inte om ingen spänning ligger an). ➤ Kontakta din auktoriserade återförsäljare.
	eStore är defekt.	➤ Kontakta din auktoriserade återförsäljare.
Statuslysdioden blinkar inte.	eStore är i lagringsläge.	➤ Aktivera eStore.
	eStore är djupt urladdat.	➤ Ladda upp eStore med en laddningsström på < 10 A. <b>Anvisning:</b> Använda inga intelligenta laddningssystem (med påslagen huvudbrytare ligger ingen spänning an på klämmorna. Intelligenta batteriladdare startar inte om ingen spänning ligger an). ➤ Kontakta din auktoriserade återförsäljare.
	eStore är defekt.	➤ Kontakta din auktoriserade återförsäljare.



Fel	Orsak	Åtgärd
Statuslysdioden blinkar rött.	eStore är konfigurerat för att ansluta flera eStores och BUSS-kablarna har inte satts i.	➤ Sätt i eStore-kabeln.
	eStore har laddats ur helt.	➤ Ladda eStore.
	eStore har laddats upp för mycket.	➤ Avlägsna laddarna från eStore. ➤ Kontrollera batteriladdarens laddningsspänning.
	eStore är defekt.	➤ Kontakta din auktoriserade återförsäljare.
eStore reagerar inte när huvudbrytaren slås på.	eStore är i lagringsläge.	➤ Aktivera eStore.
	eStore har laddats ur helt.	➤ Ladda upp eStore med en laddningsström på < 10 A. <b>Anvisning:</b> Använda inga intelligenta laddningssystem (med påslagen huvudbrytare ligger ingen spänning an på klämmorna. Intelligenta batteriladdare startar inte om ingen spänning ligger an). ➤ Kontakta din auktoriserade återförsäljare.
	eStore är konfigurerat som slave och inte som master.	➤ Använd huvudbrytaren på eStore-mastern (eStore konfigurerat som #1)
	Felaktig konfiguration för anslutning av flera eStores.	➤ Kontrollera konfigurationen.
	eStore är defekt.	➤ Kontakta din auktoriserade återförsäljare.

Fel	Orsak	Åtgärd
Huvudbrytaren kopplas på (stängs) och stängs av (öppnas) omedelbart.	eStore har laddats ur helt.	➤ Ladda eStore.
	eStore har laddats upp för mycket.	➤ Avlägsna laddarna från eStore. ➤ Kontrollera batteriladdarens laddningsspänning.
	För hög laddningsström.	➤ Sänk laddningsströmmen.
	För hög urladdningsström.	➤ Minska lasten. ➤ Kontrollera temperaturen på eStore. ➤ Ladda eStore.
	eStore är skadat.	➤ Kontakta din auktoriserade återförsäljare.
"Warning eStore" visas på kontrollpanelen till eCore.	eStore-temperatur för låg.	➤ Kontrollera laddarens statuslysdiod: ➤ Kontrollera eStore-temperaturen. ➤ Värm upp omgivningen.
	eStore-temperatur för hög.	➤ Kontrollera laddarens statuslysdiod: ➤ Kontrollera eStore-temperaturen. ➤ Kyl omgivningen.

## 13 Garanti

Den lagstadgade garantitiden gäller. Om produkten är defekt: kontakta tillverkarens kontor i ditt land (adresser, se bruksanvisningens baksida) eller återförsäljaren.

Vid reparations- resp. garantiärenden ska följande skickas med:

- en kopia på fakturan med inköpsdatum,
- en reklambeskrivning/felbeskrivning.

## 14 Avfallshantering

- Lämna om möjligt förpackningsmaterialet till återvinning.



När produkten slutgiltigt tas ur bruk: informera dig om gällande bestämmelser hos närmaste återvinningscentral eller hos återförsäljaren.




### Skydda miljön!

Varken laddningsbara batterier eller andra batterier hör hemma i hushållssoporna.

Lämna dina förbrukade eller defekta (laddningsbara) batterier till återförsäljaren eller till ett insamlingsställe.

## 15 Tekniska data

	eStore
Art.nr:	9102900224
Nominell spänning:	13,2 V <sup>---</sup>
Drifttemperatur (vid urladdning):	-30 °C (med reducerad kapacitet) till +55 °C
Temperaturområde för laddning med eCore: med andra laddare:	-10 °C till +55 °C 0 °C till +40 °C
Nominell kapacitet:	100 Ah
Mått L x B x H:	315 x 160 x 285 mm
Vikt:	17 kg
Provning/certifikat:	
	IEC 62133 UN 38.3 UN 3480

**Les bruksanvisningen nøye før du monterer og tar apparatet i bruk, og ta vare på den. Hvis produktet selges videre, må du sørge for å gi bruksanvisningen videre også.**

## Innhold

1	Symbolforklaringer . . . . .	205
2	Generelle sikkerhetsregler . . . . .	206
3	Leveransen omfatter . . . . .	207
4	Tilbehør . . . . .	208
5	Tiltentkt bruk . . . . .	209
6	Teknisk beskrivelse . . . . .	210
7	Feste eStore . . . . .	212
8	Koble til eStore . . . . .	213
9	Før første gangs bruk . . . . .	217
10	Bruke eStore . . . . .	218
11	Rengjøre eStore . . . . .	220
12	Utbedre feil . . . . .	221
13	Garanti . . . . .	223
14	Deponering . . . . .	223
15	Tekniske spesifikasjoner . . . . .	224

# 1 Symbolforklaringer

**FARE!**

**Sikkerhetsregel:** Hvis man ikke overholder denne regelen, fører det til død eller alvorlig skade.

**ADVARSEL!**

**Sikkerhetsregel:** Hvis man ikke overholder denne regelen, kan det føre til død eller alvorlig skade.

**FORSIKTIG!**

**Sikkerhetsregel:** Hvis man ikke overholder denne regelen, kan det føre til personskader.

**PASS PÅ!**

Hvis man ikke overholder denne regelen, kan det føre til materielle skader og skade funksjonen til produktet.

**MERK**

Utfyllende informasjon om bruk av produktet.

## 2 Generelle sikkerhetsregler

Produsenten tar i følgende tilfeller intet ansvar for skader:

- Skader på produktet på grunn av mekanisk påvirkning og overspenninger og overstrøm
- Endringer på produktet uten at det er gitt uttrykkelig godkjenning av produsenten
- Bruk til andre formål enn det som er beskrevet i veiledningen

Overhold følgende grunnleggende sikkerhetsregler ved bruk av elektriske apparater for å beskytte mot:

- Elektrisk støt
- Brannfare
- Skader

### 2.1 Grunnleggende sikkerhet



#### **FARE!**

- Bruk i tilfelle brann et brannslukningsapparat som er egnet for elektriske apparater.



#### **ADVARSEL!**

- Hvis apparatet eller tilkoblingskabelen har synlige skader, må det ikke brukes.
- Reparasjoner på dette apparatet må kun utføres av fagfolk. Feil reparasjoner kan føre til betydelige skader.
- Personer (inklusive barn) som på grunn av sine fysiske, sensoriske eller mentale ferdigheter eller på grunn av sin uerfarenhet eller manglende kjennskap ikke er i stand til å bruke apparatet, må ikke bruke dette apparatet uten oppsyn eller anvisning fra en ansvarlig person.
- **Elektriske apparater er ikke beregnet for barn!**  
Oppbevar og bruk apparatet utenfor barns rekkevidde.
- Barn skal være under tilsyn for å sikre at de ikke leker med apparatet.

**PASS PÅ!**

- Før igangsetting må du sammenligne spenningsspesifikasjonene på merkeskiltet med tilgjengelig strømtilførsel.
- Påse at andre gjenstander **ikke** forårsaker kortslutning på kontaktene til apparatet.
- Pass på at du **ikke** berører den positive og den negative klemmen.
- Hvis ledninger føres gjennom vegger med skarpe kanter, bruker du kabelrør hhv. ledningsgjennomføringer.
- Ikke legg ledninger løst eller skarpt bøyd på materiell som leder elektrisk strøm (metall).

## 2.2 Sikkerhet ved bruk av apparatet

**FARE! Livsfare ved strømstøt!**

- Ta ikke i bare ledninger med bare hender. Dette gjelder spesielt for apparater på vekselstrømnettet.

**ADVARSEL!**

- Bruk apparatet kun i lukkede, godt ventilerte rom.

**FORSIKTIG!**

- Bruk **ikke** apparatet
  - På saltholdige, fuktige eller våte steder
  - I nærheten av aggressive damper
  - I nærheten av brennbare materialer
  - Der det er eksplosjonsfare.
- Ikke trekk i ledninger.

## 3 Leveransen omfatter

- eStore-batteri
- Montasje- og bruksanvisning

## 4 Tilbehør

Tilgjengelig som tilbehør og reservedeler (ikke inkludert i leveransen):

<b>Delebeskrivelse</b>	<b>Artikkelnummer</b>
eStore-BUS-kabelsett RJ11 og eStore ID-klistremærke For tilkobling mellom flere flere eStores, hvis eStore-bussen brukes	9102900279
eStore-konfigurasjonssett USB-kabel og data-CD For innstilling av flere eStores – kun installatør	9102900281
eStore-eCore-BUS-kabelsett CAT5-LAN-kabel, RJ45 For tilkobling mellom eStore og eCore	9102900280
eStore-MPC01-BUS-kabel For tilkobling mellom eStore og MPC01	9102200197
eStore-MCA-BUS-kabel For tilkobling mellom eStore og MCA-ladere når ingen MPC01 benyttes	9103530048
Ekstra sikring 250 A Littelfuse Mega-serie, hullavstand 50,8 mm	9102900282
Sett eStore-festebøyle – loddrett For loddrett montering av eStore	9102900289
Sett eStore-festebøyle – vannrett For vannrett montering av eStore	9102900290



## 5 Tiltenkt bruk

eStore fungerer som en 12 V-spenningskilde i strømanlegg i campingvogner, bobiler, nyttekjøretøy og til stasjonær bruk. eCore må ikke brukes til medisinske formål.

I kombinasjon med en vekselretter, f.eks. eCore, kan apparater også forsynes med 230 V~.

Enheten kan ikke brukes som startbatteri. eStore må ikke kobles direkte til startbatteriet. Ved å parallellkoble flere eStore-batterier kan den tilgjengelige strømmen være tilstrekkelig til å støtte startbatteriet. Opp til åtte eStore kan kobles parallelt med hverandre for å øke den totale installerte kapasiteten til opp til 800 Ah.

eStore kan transporteres med de integrerte håndtakene.

## 6 Teknisk beskrivelse

### 6.1 Generell beskrivelse

eStore er et vedlikeholdsfritt litium-ion-batteri for 12 VDC-systemer for spenningsforsyning. eStore har en intern hovedbryter og en intern 250 A-sikring.

I kombinasjon med et batteristyringssystem har eStore følgende funksjoner:

- Battericelleovervåking
- Batterispenningsovervåking
- Battericelletemperatur-overvåking med integrert temperaturløser
- Kommunikasjon mellom flere eStore-batterier

eStore kan lades med ladere som eCore eller PerfectCharge MCA-serien. Det er tilgjengelig å bruke ladere fra andre produsenter. For å sikre at den interne hovedbryteren forblir lukket ved lading under normale betingelser, må laderen oppfylle følgende krav:

1. Ladesluttspenning: mellom 13,8 V og 14,0 V
2. Maksimal utgangseffekt: 40 A per tilkoblet eStore (30 A anbefales)

For å øke den totale kapasiteten kan opp til 8 eStore kobles parallelt. Felles maksimal utgangsstrøm må ikke overskride 250 A.



#### **MERK**

En eStore kan gi en strøm på 250 A for en kort stund. Permanent strøm bør ikke overskride 200 A. En permanent utladingsstrøm på mer enn 200 A fra en eStore kan føre til kortere levetid. Bruk to eller flere eStore hvis bruken krever en permanent strøm på over 200 A.

## 6.2 Indikering- og betjeningslementer

Pos. i fig. 1, side 3	Betegnelsen	Forklaring
1	Hovedbryter	Aktiverer (lukker) og deaktiverer (åpner) den interne hovedbryteren
2	Status-LED	Av: Batteristyringssystemet er slått av på grunn av aktivert lagringsmodus eller for mye utlading
		Blinker grønt: Batteristyringssystem aktivt, hovedbryteren er aktivert eller slått på (lukket)
		Blinker gult: Batteristyringssystem aktivt, hovedbryteren er deaktivert eller slått av (åpen)
		Blinker rødt: Funksjonsfeil
3	eStore-BUS-grensesnitt	
4	LIN-grensesnitt for tilkobling til PerfectCharge MCA-ladere og MPC01	
5	USB-grensesnitt til konfigurasjon	
6	CAN-Bus-grensesnitt	

## 6.3 Sikring og tilkoblinger

Pos. i fig. 2, side 3	Betegnelsen	Forklaring
1	Minuspol	M8-klemme for ladere og forbrukere
2	Intern sikring	250 A – festehull med standard hullavstand 50,8 mm
3	Plusspol	M8-klemme for ladere og forbrukere

## 7 Feste eStore



### ADVARSEL!

eStore må ikke sikres med stropper e.l. over plastdekslet, da dette vil skade eStore.



### MERK

Ta hensyn til følgende ved bruk av flere tilkoblede eStore: Konfigurer og merk eStore før de monteres inn i kjøretøyet, se kapittel «Koble til flere eStore» på side 215.

### Følg disse rådene når det gjelder monteringssted

- eStore kan monteres loddrett (fig. 11, side 6) eller vannrett (fig. 12, side 7) på et jevnt og stabilt underlag.
  - eStore må ikke monteres i nærheten av brennbart materiale.
  - Monteringsstedet må beskyttes mot fuktighet og støv.
  - La det være minst 2 cm klaring rundt eStore og sørg for god lufting. Monteringen skal hindre lave temperaturer i vinterdrift (lading) for å sikre kontinuerlig drift.
  - Ved montering må man av sikkerhetsmessige grunner passe på (ved boring og skruing osv.) føringene av eksisterende kabler og særlig andre komponenter som ikke er synlige og som befinner seg i montasjeområdet!
  - Hvis du installerer mer enn én eStore, må det være minst 1 cm klaring mellom hver eStore.
- Velg et egnet monteringssted og sett eStore godt fast der.
- **Loddrett montering:** Bruk de integrerte festeføttene (fig. 11, side 6). Egnede festebøyler finnes som tilbehør (se kapittel «Tilbehør» på side 208).
- **Vannrett montering:** Sikre eStore med to stropper eller bånd over apparatet (fig. 12, side 7). Før disse mellom håndtakene og festeføttene og fest dem på montasjeflaten. Dette sikrer at eStore ikke beveger seg når kjøretøyet er i bevegelse. Egnede festebøyler finnes som tilbehør (se kapittel «Tilbehør» på side 208).

## 8 Koble til eStore

### 8.1 Åpne dekslet på polen

- ▶ Lås opp sperren ved å trykke stiften midt i sperren litt ned (fig. **3** 1, side 3).  
Vær forsiktig så du ikke trykker den helt gjennom.
- ▶ Åpne dekslet (fig. **3** 2, side 3).
- ▶ Fjern den opplåste sperren (fig. **3** 3, side 3).
- ▶ Vær oppmerksom på sperrens posisjoner (fig. **4**, side 4):
  - 1: Låst opp
  - 2: Klar til bruk
  - 3: Låst

### 8.2 Lukke dekslet på polen

- ▶ Skyv stiften i sperren tilbake.
- ▶ Sett inn sperren igjen (fig. **5** 1, side 4).
- ▶ Lukk dekslet (fig. **5** 2, side 4).
- ▶ Lås sperren ved å trykke stiften midt i dekslet litt ned (fig. **5** 3, side 4).  
Vær forsiktig så du ikke trykker den helt gjennom.

### 8.3 Aktivere eStore



#### MERK

eStore leveres i lagringsmodus som reduserer selvtladingen under lagring. For å bruke eStore må du først aktivere eStore.

- ▶ Åpne dekslet på polen (se kapittel «Åpne dekslet på polen» på side 213).
- ▶ Koble plusspolen (fig. **2** 1, side 3) og minuspolen (fig. **2** 2, side 3) til et lavstrøms 12 V-batteri eller en lader.
- ✓ Statuslampen (fig. **1** 2, side 3) blinker gult.
- ✓ eStore er aktivert.

## 8.4 Koble til tilkoblingskabel



### PASS PÅ!

- Koble kun til apparater med en nominell spenning på 12 V $\overline{\text{---}}$ .
- Sørg for riktig polaritet når du kobler apparater til eStore. Følg også den aktuelle bruksanvisningen.
- Påse at apparatene som du vil koble til, er slått av.

- Slå på (åpne) hovedbryteren til eStore ved å trykke på hovedbryteren (fig. **1** 1, side 3).
- Åpne dekslet (kapittel «Åpne dekslet på polen» på side 213).
- Koble plusskabelen til plusspolen (fig. **2** 3, side 3).
- Trekk til polskruen med et tiltrekkingsmoment på 13 – 15 Nm.
- Lukk dekslet (kapittel «Lukke dekslet på polen» på side 213).
- Åpne dekslet til minuspolen (kapittel «Åpne dekslet på polen» på side 213).
- Koble minuskabelen til minuspolen (fig. **2** 1, side 3).
- Trekk til polskruen med et tiltrekkingsmoment på 13 – 15 Nm.
- Lukk dekslet til minuspolen (kapittel «Lukke dekslet på polen» på side 213).
- Slå av (lukk) hovedbryteren til eStore ved å trykke på hovedbryteren (fig. **1** 1, side 3).

## 8.5 Koble til forbruker

- Slå på alle apparater, særlig de som er koblet til eStore.
- Slå på (åpne) hovedbryteren til eStore ved å trykke på hovedbryteren (fig. **1** 1, side 3).
- Koble 12 V $\overline{\text{---}}$ -apparatet til eStore.
- Slå av (lukk) hovedbryteren til eStore ved å trykke på hovedbryteren (fig. **1** 1, side 3).
- Slå på 12 V $\overline{\text{---}}$ -apparatet.

## 8.6 Koble til datakabel

eStore kan kobles til datakommunikasjon på følgende måte:

- Til eCore med CAN-Bus
- Til en PerfectCharge MCA-lader med LIN-/CI-Bus
- Til en PerfectCharge MCA-lader med LIN-/CI-Bus med MPC01

Ved hjelp av dataforbindelsen kan parametere som spenning, temperatur og lade-status kontrolleres og vises. Mer informasjon finner du i respektive bruksanvisninger for apparatene.

➤ Opprett dataforbindelsen iht. apparatkonfigurasjonen din.

## 8.7 Koble til flere eStore

Opp til åtte eStore kan kobles parallelt med hverandre for å øke den totale kapasiteten til opp til 800 Ah. Illustrasjonen viser en dataforbindelse for tre tilkoblede eStore (fig. **6**, side 4).



### MERK

- For å koble sammen flere eStore trenger du minst én BUS-kabel og eStore-konfigurasjonssettet (se kapittel «Tilbehør» på side 208).
- eStore som er koblet sammen, må stilles inn med eStore-konfigurator (kapittel «Koble til og konfigurere BUS-kabel» på side 216). Hvis du bruker kun én enkelt eStore, trenger du ikke stille inn noe. Fra fabrikken er eStore forhåndsinnstilt på bruk som enkeltbatteri.
- Påse at alle eStore er ladet helt opp etter installasjonen.

Den første eStore fungerer som master. Den har følgende funksjoner:

- Styrer hovedbryterne på de andre eStore (fig. **6**, side 4).
- Forbinder laderne med CAN/LIN.

De andre eStore styres av masteren som slaver.

## Koble til og konfigurere BUS-kabel

For å utføre konfigureringen trenger du en datamaskin med USB-tilkobling og eStore-konfigurator.

Avhengig av monteringssted er det fornuftig å konfigurere og merke alle eStore før de monteres inn i kjøretøyet.

- Påse at eStore ikke er i lagringsmodus (statuslampen blinker).
- Plugg USB-kabelen fra datamaskinen inn i USB-grensesnittet (fig. **1** 5, side 3) på den første eStore (master).
- Konfigurer masteren, se kapittel «Konfigurere tilkoblede eStore» på side 216.
- Sett ID-klistremerket (fig. **6** 6, side 4) på masteren (fig. **6** 1, side 4).
- Trekk USB-kabel ut av master.
- Plugg USB-kabelen fra datamaskinen inn i USB-grensesnittet på den første slaven.
- Sett ID-klistremerket (fig. **6** 3, side 4) på slaven (fig. **6** 2, side 4).
- Konfigurer eventuelle øvrige slaver.
- Koble alle eStore til med BUS-kablene (fig. **6** 4, side 4).

## 8.8 Konfigurere tilkoblede eStore

- Installer eventuelt ModbusReader «mbreader\_setup.exe» fra data-CD-en på datamaskinen.
- Kopier filen «eStore\_Configuration\_utility\_FM739.mbc» fra data-CD-en inn på harddisken i datamaskinen.
- Åpne filen «eStore\_Configuration\_utility\_FM739.mbc».
- ✓ eStore-konfigurator åpnes (fig. **7**, side 5).
- Trykk på **Ctrl + F** eller velg kommandoen **Find COM** i menyen «Connection» (fig. **8** 1, side 5).
- Velg det nye portnummeret, i eksemplet COM18 (fig. **8** 2, side 5).
- Trykk på **Ctrl + P** eller velg **COM Parameters** i menyen «Connection» (fig. **8** 3, side 5).
- Vinduet **COM Settings** åpnes.
- I listen **Parity** (fig. **8** 4, side 5) velger du verdien **Even**.



- Klikk på **OK** (fig. **8** 5, side 5).
- I feltet **Pack Address** legger du inn nummeret på den aktuelle eStore, f.eks. «1» for master (fig. **9** 1, side 5).
- Trykk på "F2" eller velg kommandoen **Connect** i menyen «Connection» (fig. **8** 6, side 5).
- Trykk på Enter.
- I feltet **Total Pack Number** legger du inn totalt antall eStore, f.eks. «3» hvis du skal koble til totalt tre apparater (fig. **9** 2, side 5).
- Trykk på Enter.
- I feltet **Total Pack Number** legger du inn totalt antall eStore, f.eks. «3» hvis du skal koble til totalt tre apparater (fig. **9** 3, side 5).  
**Tips:** Total Pack Number og Parallel Pack Number må være identiske.
- Trykk på Enter.
- Legg inn passordet **3331** (fig. **9** 4, side 5).
- Trykk på Enter.
- Sett på ID-klistremerket (fig. **9** 5, side 5).  
**Tips:** Nummeret på siste eStore må være identisk med totalt antall eStore.

## 9 Før første gangs bruk



### MERK

Kontroller at den ene eller alle eStore er ladet helt opp etter installasjonen, da en utlading vil kunne føre til skader.

## 10 Bruke eStore



### PASS PÅ!

Ikke la eStore være i utladet tilstand.

Hvis hovedbryteren åpnes på grunn av for mye utlading, må du lade opp eStore så fort som mulig (maksimalt 5 dager). Ellers kobler eStore over i lagringsmodus og kan bli skadet.



### MERK

Følg disse anvisningene for å forlenge batteriets levetid.

- Unngå en så dyp utlading at hovedbryteren åpnes (se kapittel «Driftsspenninger og hovedbryter» på side 218).
- Unngå ekstremt høye eller lave temperaturer under lading eller lagring.
- Unngå permanent høy utlading (> 200 A).

### 10.1 Driftsspenninger og hovedbryter

eStore-batteristyringssystem (BMS) vurderer tilstanden til hver enkelt celle i batteriet for å fastsette når batteriet må beskyttes ved å åpne hovedbryteren.

Hovedbryteren fungerer som følger:

eStore-tilstand	Adferd hovedbryter
Utlading	<p>&lt; 30 A, 11 – 12 V: Hovedbryteren åpnes</p> <p>&gt; 30 A, 10 – 11,8 V: hovedbryteren åpnes</p> <p>Dette er veiledende verdier og angis kun til orientering. Hovedbryterens åpningsspenning avhenger av interne parametere som celledspenning og -temperatur samt utladingsstrømmen. Angitte strømverdier gjelder per enkelt eStore.</p>
Lading	<p>Hovedbryterens åpningsspenning avhenger av interne parametere som celledspenning og -temperatur samt ladestrømmen. Den maksimale spenningen før hovedbryteren åpnes er 15,2 V. Lading med anbefalte ladeparametere i normal drift sikrer at hovedbryteren forblir lukket.</p> <p>Se kapittel «Lade eStore» på side 219 for anbefalte ladeparametere.</p>

## 10.2 Lade eStore



### PASS PÅ!

eStore kan lades med ladere som eCore eller PerfectCharge MCA-ladere (velg Power Mode; se bruksanvisningen for laderen for riktige DIP-bryterinnstillinger). Det er tillatt å bruke ladere fra andre produsenter. Hovedbryteren forblir lukket under lading under normale forhold, hvis følgende ladeparametere er oppfylt:

- Ladesluttspenning: mellom 13,8 V og 14,0 V
- Maksimal utgangseffekt: 40 A per tilkoblet eStore (30 A anbefales)



### MERK

Følg også bruksanvisningen til den benyttede laderen.

## 10.3 Bytte sikring



### MERK

Bruk maksimalt en 250 A-sikring med 50,8 mm hullavstand.

Gå fram på følgende måte for å bytte sikring:

- Åpne dekslet til plusspolen (kapittel «Åpne dekslet på polen» på side 213).
- Fjern mutterne og underlagsskivene for sikringen (fig. **10** 1, side 6).
- Bytt sikringen (fig. **10** 2, side 6).
- Fest den nye sikringen med mutterne og underlagsskivene (fig. **10** 1, side 6). Trekk til mutterne med mellom 13 og 15 Nm.
- Lukk dekslet til plusspolen (kapittel «Lukke dekslet på polen» på side 213).

## 10.4 Lagre eStore



### MERK

- Lagre eStore på et tørt og kjølig sted.
- Unngå lagring i permanent høy temperatur. Dette forkorter levetiden.
- Lad opp eStore hver 3. måned.
- For langvarig lagring (f.eks. vinterlagring av kjøretøyet):
  - Koble fra forbrukere.
  - Lad opp eStore.
  - Åpne hovedbryteren.

Dette hindrer utilsiktet utlading og skader på eStore.

## 11 Rengjøre eStore



### PASS PÅ!

Bruk ikke skarpe eller harde gjenstander eller rengjøringsmidler til rengjøring, da det kan skade produktet.

- Rengjør produktet regelmessig med en fuktig klut.

## 12 Utbedre feil

Feil	Årsak	Tiltak
Ingen spenning på batteriklemmene.	Hovedbryteren er av (åpen).	▶ Slå på hovedbryteren (lukk).
	Sikringen er defekt.	▶ Bytt sikringen (se kapittel «Bytte sikring» på side 219).
	eStore er i lagringsmodus.	▶ Aktiver eStore.
	eStore er ikke riktig konfigurert.	▶ Konfigurer eStore.
	eStore er dyputladet.	▶ Lad opp eStore med en ladestrøm på < 10 A. <b>Tips:</b> Ikke bruk intelligente ladesystemer (med innkoblet hovedbryter ligger ingen spenning an på klemmene. Intelligente batterieladere starter ikke hvis ingen spenning foreligger). ▶ Kontakt en autorisert faghandel.
	eStore er defekt.	▶ Kontakt en autorisert faghandel.
Statuslampen blinker ikke.	eStore er i lagringsmodus.	▶ Aktiver eStore.
	eStore er dyputladet.	▶ Lad opp eStore med en ladestrøm på < 10 A. <b>Tips:</b> Ikke bruk intelligente ladesystemer (med innkoblet hovedbryter ligger ingen spenning an på klemmene. Intelligente batterieladere starter ikke hvis ingen spenning foreligger). ▶ Kontakt en autorisert faghandel.
	eStore er defekt.	▶ Kontakt en autorisert faghandel.
Statuslampen blinker rødt.	eStore er konfigurert for tilkobling av flere eStore og BUS-kablene er ikke plagget inn.	▶ Plugg inn eStore-kablene.
	eStore er dyputladet.	▶ Lad opp eStore.
	eStore er overbelastet.	▶ Koble laderen fra eStore.
		▶ Kontroller batterieladerens ladespenning.
	eStore er defekt.	▶ Kontakt en autorisert faghandel.

Feil	Årsak	Tiltak
eStore reagerer ikke når hovedbryteren slås på.	eStore er i lagringsmodus.	➤ Aktiver eStore.
	eStore er dyputladet.	➤ Lad opp eStore med en ladestrøm på < 10 A. <b>Tips:</b> Ikke bruk intelligente ladesystemer (med innkoblet hovedbryter ligger ingen spenning an på klemmene. Intelligente batterieladere starter ikke hvis ingen spenning foreligger). ➤ Kontakt en autorisert faghandel.
	eStore er konfigurert som slave og ikke som master.	➤ Bruk hovedbryteren til eStore-master (eStore konfigurert som nr. 1)
	Feil på konfigureringen for å koble til flere eStore.	➤ Kontroller konfigureringen.
Hovedbryteren slår seg på (lukkes) og av igjen (åpnes) umiddelbart.	eStore er dyputladet.	➤ Lad opp eStore.
	eStore er overbelastet.	➤ Koble laderen fra eStore. ➤ Kontroller batterieladerens ladestruking.
	Ladestrømmen er for høy.	➤ Reduser ladestrømmen.
	Utladingsstrømmen er for høy.	➤ Reduser belastningen. ➤ Kontroller temperaturen i eStore. ➤ Lad opp eStore.
	eStore er ødelagt.	➤ Kontakt en autorisert faghandel.
«Warning eStore» vises på betjeningspanelet til eCore.	eStore-temperaturen er for lav.	➤ Kontroller statuslampen til laderen. ➤ Kontroller eStore-temperaturen. ➤ Varm opp omgivelsene.
	eStore-temperaturen er for høy.	➤ Kontroller statuslampen til laderen. ➤ Kontroller eStore-temperaturen. ➤ Kjøl ned omgivelsene.

## 13 Garanti

Lovmessig garantitid gjelder. Hvis produktet skulle være defekt, kontakter du produsentens filial i ditt land (du finner adressene på baksiden av veiledningen) eller til din faghandler.

Ved henvendelser vedrørende reparasjon eller garanti, må du sende med følgende dokumentasjon:

- kopi av kvitteringen med kjøpsdato,
- årsak til reklamasjonen eller beskrivelse av feilen.

## 14 Deponering

► Lever emballasje til resirkulering så langt det er mulig.



Når du tar produktet ut av drift for siste gang, må du sørge for å få informasjon om deponeringsforskrifter hos nærmeste resirkuleringsstasjon eller hos din faghandler.




### **Bevar miljøet!**

Batterier hører ikke hjemme i husholdningsavfallet.

Lever defekte eller brukte batterier enten til forhandleren eller på en oppsamlingsstasjon.

## 15 Tekniske spesifikasjoner

	<b>eStore</b>
Art.nr.:	9102900224
Nominell spenning:	13,2 V $\equiv$
Driftstemperaturområde (ved utlading):	-30 °C (med redusert belastning) til +55 °C
Temperaturområde for lading Med eCore: Med andre ladere:	-10 °C til +55 °C 0 °C til +40 °C
Nominell kapasitet:	100 Ah
Mål L x B x H:	315 x 160 x 285 mm
Vekt:	17 kg
Test/sertifikat:	 IEC 62133 UN 38.3 UN 3480



**Lue tämä ohje huolellisesti läpi ennen asennusta ja käyttöönottoa ja säilytä ohje hyvin. Jos myyt tuotteen eteenpäin, anna ohje tällöin edelleen uudelle käyttäjälle.**

## Sisällysluettelo

1	Symbolien selitykset . . . . .	226
2	Yleisiä turvallisuusohjeita . . . . .	227
3	Toimituskokonaisuus. . . . .	228
4	Lisävarusteet . . . . .	229
5	Tarkoituksenmukainen käyttö . . . . .	230
6	Tekninen kuvaus . . . . .	231
7	eStoren kiinnittäminen . . . . .	233
8	eStoren liittäminen . . . . .	234
9	Ennen ensimmäistä käyttöä. . . . .	238
10	eStoren käyttäminen . . . . .	239
11	eStoren puhdistaminen . . . . .	241
12	Häiriöiden poistaminen . . . . .	242
13	Tuotevastuu. . . . .	244
14	Hävittäminen . . . . .	245
15	Tekniset tiedot. . . . .	245

# 1 Symbolien selitykset

**VAARA!**

**Turvallisuusohje:** Huomiotta jättäminen aiheuttaa hengenvaaran tai vakavan loukkaantumisen.

**VAROITUS!**

**Turvallisuusohje:** Huomiotta jättäminen voi aiheuttaa hengenvaaran tai vakavan loukkaantumisen.

**HUOMIO!**

**Turvallisuusohje:** Huomiotta jättäminen voi johtaa loukkaantumiseen.

**HUOMAUTUS!**

Huomiotta jättäminen voi johtaa materiaalivaurioihin ja haitata tuotteen toimintaa.

**OHJE**

Tuotteen käyttöä koskevia lisätietoja.

## 2 Yleisiä turvallisuusohjeita

Valmistaja ei ota mitään vastuuta vahingoista seuraavissa tapauksissa:

- laitteeseen mekaanisten vaikutusten ja ylijännitteiden sekä ylivirran takia syntyneet vauriot
- tuotteeseen ilman valmistajan nimenomaista lupaa tehdyt muutokset
- käyttö muuhun kuin käyttöohjeessa ilmoitettuun tarkoitukseen

Noudata seuraavia perustavia turvatoimenpiteitä käyttäessäsi sähköllä toimivia laitteita. Tämä suojelee sinua:

- sähköiskulta
- palovaaralta
- loukkaantumiselta

### 2.1 Perusturvallisuus



#### **VAARA!**

- Käytä tulipalon sattuessa palonsammutinta, joka sopii sähkölaitteiden sammuttamiseen.



#### **VAROITUS!**

- Laitetta ei saa ottaa käyttöön, jos laitteessa tai sen liitännäisissä on näkyviä vaurioita.
- Ainoastaan ammattilaiset saavat korjata tätä laitetta. Epäasianmukaisista korjauksista saattaa aiheutua huomattavia vaaroja.
- Henkilöiden (mukaan lukien lapset), jotka eivät voi käyttää laitetta turvallisesti fyysisten, sensoristen tai psyykkisten taitojensa vuoksi tai kokemattomuuden tai tietämättömyyden vuoksi, ei tulisi käyttää laitetta ilman valvontaa tai vastuullisen henkilön ohjeita.
- **Sähkölaitteet eivät ole lasten leluja!**  
Säilytä ja käytä laitetta lasten ulottumattomissa.
- Lapsia tulee valvoa sen varmistamiseksi, etteivät he leiki laitteella.

**HUOMAUTUS!**

- Vertaa tyyppikilven jännitetietoja käytettävissä olevaan energiansyöttöön ennen käyttöön ottamista.
- Huolehdi siitä, että mitkään esineet **eivät** aiheuta oikosukua laitteen kontakteihin.
- Pidä huoli, etteivät punaiset ja mustat liittimet **koskaan** kosketa toisiaan.
- Jos johtimet täytyy viedä teräväreunaisten seinien läpi, käytä putkitusta tai läpivientikappaleita.
- Älä aseta irrallisia tai teräville taitteille asetettuja johtimia sähköä johtavien materiaalien (metalli) päälle.

## 2.2 Laitteen käyttöturvallisuus

**VAARA! Sähköiskusta johtuva hengenvaara!**

- Älä kosketa avojohtimia koskaan paljain käsin. Tämä koskee ennen kaikkea vaihtovirtaverkkoon yhdistettyjä laitteita.

**VAROITUS!**

- Käytä laitetta ainoastaan suljetuissa, hyvin tuuletetuissa tiloissa.

**HUOMIO!**

- Laitetta **ei** saa käyttää
  - suolapitoisessa, kosteassa tai märässä ympäristössä.
  - aggressiivisten höyryjen lähellä
  - palavien materiaalien lähellä
  - räjähdysvaarallisilla alueilla
- Älä kisko johtimista.

## 3 Toimituskokonaisuus

- eStore-akku
- Asennus- ja käyttöohje

## 4 Lisävarusteet

Saatavissa lisävarusteina ja varaosina (eivät sisälly toimituskokonaisuuteen):

Osan nimitys	Tuotenumero
eStore-VÄYLÄ-johtosarja RJ11 ja eStore ID-tarra Useamman eStoren liittämiseen, jos käytössä on eStore-väylä	9102900279
eStore-konfigurointisarja USB-johto ja tiedosto-CD Useamman eStoren asettamiseen - ainoastaan asennus	9102900281
eStore-eCore-VÄYLÄ-johtosarja CAT5-LAN-johto, RJ45 eStoren ja eCoren väliseen liitääntään	9102900280
eStore-MPC01-VÄYLÄ-johto eStoren ja MPC01:n väliseen liitääntään	9102200197
eStore-MCA-VÄYLÄ-johto eStoren ja MCA-latureiden väliseen liitääntään, kun käytössä ei ole MPC01	9103530048
Varasulake 250 A Littelfuse mega-malli, reikien väli 50,8 mm	9102900282
Sarja eStore-pidikesakkaa - pystysuoraan eStoren pystysuoraan asennukseen	9102900289
Sarja eStore-pidikesakkaa - vaakasuoraan eStoren vaakasuoraan asennukseen	9102900290

## 5 Tarkoituksenmukainen käyttö

eStore toimii 12 V -jännitelähteenä asuntovaunujen, matkailuautojen ja yritysten ajoneuvojen sekä kiinteiden sovellusten sähkölaitteistoissa. eCorea ei saa käyttää lääketieteellisiin tarkoituksiin.

Yhdessä vaihtosuuntaajan – esim. eCoren – kanssa laitteisiin voidaan syöttää myös 230 V $\sim$  -jännitettä.

Käyttö käynnistysakkuna ei ole mahdollista. eStorea ei saa liittää suoraan käynnistysakkuun. Jos useita eStore-akkuja kytketään rinnakkain, niistä saatava virta voi riittää käynnistysakun tukemiseen. Rinnakkain voidaan kytkeä jopa kahdeksan eStorea, jolloin asennettu yhteiskapasiteetti nousee jopa 800 Ah -arvoon.

eStorea voi kuljettaa siihen kiinnitetyistä kahvoista.

## 6 Tekninen kuvaus

### 6.1 Yleinen kuvaus

eStore on huoltovapaa litium-ioni-akku, jota käytetään 12 V==-järjestelmien jännitteensyöttöön. eStoressa on sisäinen pääkytkin ja sisäinen 250 A -sulake.

Yhdessä akkuhallintajärjestelmien kanssa eStore tarjoaa käyttöön seuraavat toiminnot:

- Akkukennojen valvonta
- Akkujännitteen valvonta
- Akkukennojen lämpötilavalvonta integroidulla lämpötila-anturilla
- Useiden eStore-akkujen keskinäinen tietoliikenne

eStore voidaan ladata latureilla kuten eCorella ja PerfectCharge MCA-sarjan laturilla. Myös muiden valmistajien latureiden käyttäminen on sallittua. Laturin tulee täyttää seuraavat vaatimukset, jolloin varmistetaan, että sisäinen pääkytkin pysyy suljettuna normaaleissa olosuhteissa ladattaessa:

1. Latausjännite: on 13,8 V ... 14,0 V
2. Maksimilähtöteho: 40 A per liitetty eStore (30 A suositeltava)

Kokonaiskapasiteetin suurentamiseksi rinnakkain voidaan kytkeä jopa 8 eStorea. Yhteinen maksimilähtövirta ei saa olla suurempi kuin 250 A.



#### OHJE

Yksi eStore voi antaa hetkellisesti 250 A -virran. Jatkuvan virran ei tulisi olla suurempi kuin 200 A. Jos yhden eStoren purkuvirta on jatkuvasti yli 200 A, seurauksena voi olla normaalia lyhyempi kestoikä. Käytä kahta tai useampaa eStorea, jos jatkuvasti tarvitaan yli 200 A:n virtaa.

## 6.2 Näyttö- ja käyttölaitteet

Kohta – kuva <b>1</b> , sivulla 3	Nimitys	Selitys
1	Pääkytkin	Aktivoi (sulkee) ja deaktivoi (avaa) sisäisen pääkytkimen
2	Tila-LED	Pois: Akunhallintajärjestelmä kytketty pois aktivoitun lataustilan tai liiallisen purkaantumisen vuoksi
		Vilkkuu vihreänä: Akkuhallintajärjestelmä aktivoitu, pääkytkin on aktivoitu tai päällä (suljettu)
		Vilkkuu keltaisena: Akkuhallintajärjestelmä aktivoitu, pääkytkin on deaktivoitu tai pois päältä (avattu)
		Vilkkuu punaisena: Toimintahäiriö
3	eStore-BUS-liitäntä	
4	LIN-liittymä PerfectCharge MCA- ja MPC01 -latureiden liittämiseen	
5	USB-liitäntä konfigurointia varten	
6	CAN-väyläliitäntä	

## 6.3 Sulake ja liitännät

Kohta – kuva <b>2</b> , sivulla 3	Nimitys	Selitys
1	Miinusnapa	M8-liitin latureita ja sähkölaitteita varten
2	Sisäinen sulake	250 A – kiinnitysreiät normireikäväälillä 50,8 mm
3	Plusnapa	M8-liitin latureita ja sähkölaitteita varten



## 7 eStoren kiinnittäminen



### VAROITUS!

eStorea ei saa kiinnittää muovikatteen päältä kulkevilla liinoilla tai vastavilla, koska se vahingoittaa eStorea.



### OHJE

Huomaa useampia toisiinsa yhdistettyjä eStoreja käytettäessä: Konfiguroi ja merkitse eStoret ennen kuin asennat ne ajoneuvoon, katso kap. "Useiden eStorejen yhdistäminen" sivulla 236.

### Noudata seuraavia asennuspaikkaa koskevia ohjeita

- eStoren voi asentaa pystysuoraan (kuva **11**, sivulla 6) tai vaakasuoraan (kuva **12**, sivulla 7) tasaiselle ja tukevalle pinnalle.
  - eStorea ei saa asentaa lähelle palavia materiaaleja.
  - Asennuspaikan tulisi olla suojassa kosteudelta ja pölyltä.
  - Jätä eStoren ympärille vähintään 2 cm vapaata tilaa ja huolehdi hyvästä tuuletuksesta. Asennuksessa on huomiotava alhaisten lämpötilojen vaikutus talvikäytössä (latauksessa), että kestokäyttö voidaan taata.
  - Kiinnitä ennen asentamista (porattaessa ja ruuvattaessa jne.) turvallisuussyistä huomiota asennuspaikassa valmiina olevien, erityisesti näkymättömissä olevien johtonippujen, johdinten ja muiden osien kulkuun!
  - Jos asennat enemmän kuin yhden eStoren, jätä vähintään 1 cm tilaa eStorejen väliin.
- Valitse sopiva asennuspaikka ja kiinnitä eStore siihen lujasti.
- **Pystysuora asennus:** Käytä integroituja kiinnityskiskoja (kuva **11**, sivulla 6). Sopivat pidikesangat saa lisävarusteena (katso kap. "Lisävarusteet" sivulla 229).
- **Vaakasuora asennus:** Varmista eStore kahdella hihnalla tai vyöllä laitteen yli (kuva **12**, sivulla 7). Ohjaa nämä kahvojen ja kiinnityskiskojen välistä ja kiinnitä nämä asennuspinnalle. Näin varmistetaan, että eStore ei liiku, kun ajoneuvo on liikkeessä. Sopivat pidikesangat saa lisävarusteena (katso kap. "Lisävarusteet" sivulla 229).

## 8 eStoren liittäminen

### 8.1 Navan peitelevyn avaaminen

- ▶ Vapauta salpa painamalla sen keskellä olevaa tappia kevyesti alaspäin (kuva **3** 1, sivulla 3).  
Varo, että ei paina sitä kokonaan läpi.
- ▶ Avaa peiteluukku (kuva **3** 2, sivulla 3).
- ▶ Ota vapautettu salpa pois (kuva **3** 3, sivulla 3).
- ▶ Huomaa salvan asennot (kuva **4**, sivulla 4):
  - 1: vapautettu
  - 2: käyttövalmis
  - 3: salvattu

### 8.2 Navan peitelevyn sulkeminen

- ▶ Työnnä salvan tappi takaisin.
- ▶ Aseta käyttövalmis salpa paikalleen (kuva **5** 1, sivulla 4).
- ▶ Sulje peiteluukku (kuva **5** 2, sivulla 4).
- ▶ Salpaa salpa painamalla peitelevyn keskellä olevaa tappia kevyesti alaspäin (kuva **5** 3, sivulla 4).  
Varo, että ei paina sitä kokonaan läpi.

### 8.3 eStoren aktivoiminen



#### OHJE

eStore toimitetaan varastointitilassa, joka vähentää sen itsepurkautumista varastoinnin aikana. Sinun tulee seuraavaksi aktivoida eStore, jotta voit käyttää eStorea.

- ▶ Avaa navan peitelevy (katso kap. "Navan peitelevyn avaaminen" sivulla 234).
- ▶ Yhdistä plusnapa (kuva **2** 1, sivulla 3) ja miinusnapa (kuva **2** 2, sivulla 3) 12 V---heikkovirta-akkuun tai laturiin.
- ✓ Tila-LED (kuva **1** 2, sivulla 3) vilkkuu keltaisena.
- ✓ eStore on aktivoitu.

## 8.4 Liitäntäjohdon liittäminen



### HUOMAUTUS!

- Yhdistä vain laitteita, joiden nimellisjännite on 12 V $\overline{=}$ .
- Noudata oikeaa napaisuutta liittäessäsi laitteita eStoreen. Noudata tätä varten myös kulloistakin käyttöohjetta.
- Varmista, että laitteet, jotka haluat liittää, on kytketty pois päältä.

- Kytke (avaa) eStoren pääkytkin päälle painamalla pääkytkintä (kuva **1** 1, sivulla 3).
- Avaa peiteluukku (kap. "Navan peitelevyn avaaminen" sivulla 234).
- Yhdistä plusjohto plusnapaan (kuva **2** 3, sivulla 3).
- Kiristä naparuuvi kiristysmomentilla 13 – 15 Nm.
- Sulje peiteluukku (kap. "Navan peitelevyn sulkeminen" sivulla 234).
- Avaa miinusnavan peiteluukku (kap. "Navan peitelevyn avaaminen" sivulla 234).
- Yhdistä miinusjohto miinusnapaan (kuva **2** 1, sivulla 3).
- Kiristä naparuuvi kiristysmomentilla 13 – 15 Nm.
- Sulje miinusnavan peiteluukku (kap. "Navan peitelevyn sulkeminen" sivulla 234).
- Kytke (sulje) eStoren pääkytkin pois päältä painamalla pääkytkintä (kuva **1** 1, sivulla 3).

## 8.5 Sähkölaitteiden liittäminen

- Kytke kaikki laitteet pois päältä – erityisesti ne, jotka on yhdistetty eStoreen.
- Kytke (avaa) eStoren pääkytkin päälle painamalla pääkytkintä (kuva **1** 1, sivulla 3).
- Liitä 12 V $\overline{=}$ -laite eStoreen.
- Kytke (sulje) eStoren pääkytkin pois päältä painamalla pääkytkintä (kuva **1** 1, sivulla 3).
- Kytke 12 V $\overline{=}$ -laite päälle.

## 8.6 Datajohdon liittäminen

Voit yhdistää eStoren tietoliikenteeseen seuraavasti:

- eCoreen CAN-väylän kautta
- PerfectCharge MCA-laturiin LIN-/CI-väylän kautta
- PerfectCharge MCA-laturiin LIN-/CI-väylän kautta MPC01:n kautta

Parametreja kuten jännitettä, lämpötilaa ja lataustilaa voidaan tarkkailla ja ne voidaan näyttää datayhteyden kautta. Katso lisätiedot laitteiden vastaavista käyttöohjeista.

► Luo datayhteys laitekokoontaan vastaavasti.

## 8.7 Useiden eStorejen yhdistäminen

Rinnakkain voidaan kytkeä jopa kahdeksan eStorea, jolloin yhteiskapasiteetti nousee jopa 800 Ah -arvoon. Kuvassa näkyy kolmen yhdistetyn eStoren datayhteys (kuva **6**, sivulla 4).



### OHJE

- Useampien eStorejen yhdistämiseen toisiinsa tarvitet vähintään yhden BUS-johdon ja eStore-konfigurointisarjan (katso kap. "Lisävarusteet" sivulla 229).
- Toisiinsa yhdistetyt eStoret täytyy säätää eStore-konfiguraattorilla (kap. "BUS-johdon liittäminen ja konfigurointi" sivulla 237). Jos käytät vain yhtä eStorea, mitään säätöjä ei tarvitse tehdä. eStore on esisäädetty tehtaalla toimimaan yksittäisakkuna.
- Varmista, että kaikki eStoret on ladattu täyteen asennuksen jälkeen.

Ensimmäinen eStore toimii master-laitteena. Se toimii seuraavissa tehtävissä:

- Se ohjaa muiden eStorejen pääkytkimiä (kuva **6**, sivulla 4).
- Se liittää laturit CAN/LIN-väylän kautta.

Muut eStoret toimivat slave-orjalaitteina master-laitteen ohjauksessa.

## BUS-johdon liittäminen ja konfigurointi

Konfiguroimiseen tarvitset PC-tietokoneen, jossa on USB-liitäntä, sekä eStore-konfiguraattorin.

Asennustilanteesta riippuen on järkevää konfiguroida ja merkitä eStoret ennen niiden asentamista ajoneuvoon.

- Varmista, että eStore ei ole varastotilassa (tila-LED vilkkuu).
- Työnnä PC-tietokoneen USB-johto USB-liitimeen (kuva **1** 5, sivulla 3) joka on ensimmäisessä eStoressa (master).
- Konfiguroi master-laite, katso kap. "Konfiguroi yhdistetyt eStoret" sivulla 237.
- Kiinnitä tunnustarra (kuva **6** 6, sivulla 4) master-laitteeseen (kuva **6** 1, sivulla 4).
- Vedä USB-johto irti master-laitteesta.
- Työnnä PC-tietokoneen USB-johto USB-liitimeen, joka on ensimmäisessä slave-laitteessa.
- Kiinnitä tunnustarra (kuva **6** 3, sivulla 4) slave-laitteeseen (kuva **6** 2, sivulla 4).
- Konfiguroi mahdolliset loput slave-laitteet.
- Yhdistä eStoret BUS-johdoilla (kuva **6** 4, sivulla 4).

## 8.8 Konfiguroi yhdistetyt eStoret

- Asenna mahdollisesti ModbusReader "mbrader\_setup.exe" data-CD:ltä PC-tietokoneeseen.
- Kopioi tiedosto "eStore\_Configuration\_utility\_FM739.mbc" data-CD:ltä PC-tietokoneen kiintolevylle.
- Avaa tiedosto "eStore\_Configuration\_utility\_FM739.mbc".
- ✓ eStore-konfiguraattori avautuu (kuva **7**, sivulla 5).
- Paina **STRG + F** tai valitse valikosta "Connection" komento **Find COM** (kuva **8** 1, sivulla 5).
- Valitse uusi porttinumero, esimerkiksi COM18 (kuva **8** 2, sivulla 5).
- Paina **STRG + P** tai valitse valikosta "Connection" **COM Parameters** (kuva **8** 3, sivulla 5).
- Ikkuna **COM Settings** avautuu.
- Valitse valintalistasta **Parity** (kuva **8** 4, sivulla 5) arvo **Even**.

- Napsauta **OK** (kuva **8** 5, sivulla 5).
- Syötä kenttään **Pack Address** eStoren numero, esim. "1" master-laitteelle (kuva **9** 1, sivulla 5).
- Paina "F2" tai valitse valikosta "Connection" komento **Connect** (kuva **8** 6, sivulla 5).
- Paina Enter-painiketta.
- Syötä kenttään **Total Pack Number** eStorejen kokonaislukumäärä, esim. "3", jos haluat liittää yhteensä kolme laitetta (kuva **9** 2, sivulla 5).
- Paina Enter-painiketta.
- Syötä kenttään **Parallel Pack Number** eStorejen kokonaislukumäärä, esim. "3", jos haluat liittää yhteensä kolme laitetta (kuva **9** 3, sivulla 5).  
**Ohje:** Kohtien Total Pack Number ja Parallel Pack Number täytyy olla identtisiä.
- Paina Enter-painiketta.
- Syötä salasana **3331** (kuva **9** 4, sivulla 5).
- Paina Enter-painiketta.
- Kiinnitä tunnustarra (kuva **9** 5, sivulla 5).  
**Ohje:** Viimeisen eStoren numeron täytyy olla identtinen kokonaislukumäärän kanssa.

## 9 Ennen ensimmäistä käyttöä



### OHJE

Varmista, että yksittäinen tai useammat eStoret ovat asennuksen jälkeen täyteen ladattuja, koska purkautuminen voi muuten aiheuttaa vaurioita.

## 10 eStoren käyttäminen



### HUOMAUTUS!

eStorea ei saa jättää purkautuneeseen tilaan.

Lataa eStore mahdollisimman pian uudelleen, jos pääkytkin aukeaa liiallisen purkautumisen vuoksi (korkeintaan 5 päivää). Muutoin eStore kytkeytyy varastointitilaan ja voi vaurioitua.



### OHJE

Noudata seuraavia ohjeita, jotta eStore kestäisi pidempään:

- Vältä pääkytkimen avaavaa syväpurkausta (katso kap. "Käyttöjännitteet ja pääkytkin" sivulla 239).
- Vältä lataustapahtuman tai varastoinnin aikana äärimmäisen korkeita tai matalia lämpötiloja.
- Vältä jatkuvasti suurta purkuvirtaa (> 200 A).

### 10.1 Käyttöjännitteet ja pääkytkin

eStore-akunhallintajärjestelmä (BMS) arvottaa akun yksittäisten kennojen tilan varmistukseen akun suojaamishetken pääkytkimen avautumisen vuoksi.

Pääkytkin toimii seuraavasti:

eStore-tila	Pääkytkimen toiminta
Purkautuminen	<p>&lt; 30 A, 11 – 12 V: Pääkytkin aukeaa &gt; 30 A, 10 – 11,8 V: main switch öffnet</p> <p>Nämä ovat ohjearvoja ja ne ovat suuntaa antavia Pääkytkimen avautumisjännite riippuu sisäisistä parametreistä, kuten kennojännitteestä ja -lämpötilasta sekä purkausvirrasta. Annetut virta-arvot ovat yksittäistä eStorea kohden.</p>
Lataus	<p>Pääkytkimen avautumisjännite riippuu sisäisistä parametreistä, kuten kennojännitteestä ja -lämpötilasta sekä latausvirrasta. Maksimijännite ennen pääkytkimen avautumista on 15,2 V. Lataaminen suositelluilla latausparametreillä normaalikäytössä takaa pääkytkimen pysyvän suljettuna.</p> <p>Katso kap. "eStoren lataaminen" sivulla 240 suositusparametrit</p>

## 10.2 eStoren lataaminen



### HUOMAUTUS!

eStoren voi ladata latureilla, esim. eCore tai PerfectCharge MCA-laturi (valitse Power Mode; katso laturin käyttöohjeesta vastaava DIP-kytkimen asento). Myös muiden valmistajien latureiden käyttäminen on sallittua. Pääkytkin pysyy normaalikäytössä ladattaessa suljettuna, kun seuraavat latausparametrit on täytetty:

- Latausjännite: on 13,8 V ... 14,0 V
- Maksimilähtöteho: 40 A per liitetty eStore (30 A suositeltava)



### OHJE

Noudata myös käytettävän laturin käyttöohjetta.

## 10.3 Sulakkeen vaihtaminen



### OHJE

Käytä enintään 250 A -sulaketta ja 50,8 mm -reikäväliä.

Vaihda sulake seuraavalla tavalla:

- Avaa plusnavan peitelevy (kap. "Navan peitelevyn avaaminen" sivulla 234).
- Ota sulakkeen (kuva **10** 1, sivulla 6) mutterit ja aluslevyt pois.
- Vaihda sulake (kuva **10** 2, sivulla 6).
- Kiinnitä uusi sulake muttereilla ja aluslevyillä (kuva **10** 1, sivulla 6). Kiristä mutterit 13 ... 15 Nm -momentilla.
- Sulje plusnavan peiteluukku (kap. "Navan peitelevyn sulkeminen" sivulla 234).



## 10.4 eStoren varastoiminen



### OHJE

- Varastoi eStore viileässä, kuivassa paikassa.
- Vältä varastoimista jatkuvasti korkeissa lämpötiloissa. Tämä lyhentää kestoikää.
- Lataa eStore joka 3. kuukausi.
- Pidempi varastointi (esim. ajoneuvon talviseisokin aikana):
  - Irrota kaikki sähkölaitteet.
  - Lataa eStore.
  - Avaa pääkytkin.

Tämä estää liiallisen purkautumisen ja eStoren vaurioitumisen.

## 11 eStoren puhdistaminen



### HUOMAUTUS!

Puhdistukseen ei saa käyttää teräviä tai kovia välineitä eikä puhdistusaineita, koska tämä voi johtaa tuotteen vahingoittumiseen.

- Puhdista tuote toisinaan ulkopuolelta kostealla liinalla.

## 12 Häiriöiden poistaminen

Häiriö	Syy	Poistaminen
Akkukengissä ei ole jännitettä.	Pääkytkin on pois päältä (auki).	➤ Kytke pääkytkin päälle (sulje).
	Sulake on rikki.	➤ Vaihda sulake (katso kap. "Sulakkeen vaihtaminen" sivulla 240).
	eStore on varastotilassa.	➤ Aktivoi eStore.
	eStorea ei ole konfiguroitu oikein.	➤ Konfiguroi eStore.
	eStore on syväpurkautunut.	➤ Lataa eStore latausvirralla < 10 A. <b>Ohje:</b> Älä käytä älykkäitä latausjärjestelmiä (liittimissä ei ole jännitettä, kun pääkytkin on kytkettynä päälle. Älykkäät akkulaturit eivät käynnisty, jos jännitettä ei ole). ➤ Käännä valtuutetun ammattiliikkeen puoleen.
	eStore on rikki.	➤ Käännä valtuutetun ammattiliikkeen puoleen.
Tila-LED ei vilku.	eStore on varastotilassa.	➤ Aktivoi eStore.
	eStore on syväpurkautunut.	➤ Lataa eStore latausvirralla < 10 A. <b>Ohje:</b> Älä käytä älykkäitä latausjärjestelmiä (liittimissä ei ole jännitettä, kun pääkytkin on kytkettynä päälle. Älykkäät akkulaturit eivät käynnisty, jos jännitettä ei ole). ➤ Käännä valtuutetun ammattiliikkeen puoleen.
	eStore on rikki.	➤ Käännä valtuutetun ammattiliikkeen puoleen.

Häiriö	Syy	Poistaminen
Tila-LED vilkkuu punaisena.	eStore on konfiguroitu useampien eStorejen liittämistä varten ja BUS-johtoja ei ole liitetty.	➤ Kiinnitä eStore-johdot.
	eStore on syväpurkautunut.	➤ Lataa eStore.
	eStore on ylliladattu.	➤ Irrota laturit eStoresta. ➤ Tarkista akkulatorin latausjännite.
	eStore on rikki.	➤ Käännä valtuutetun ammattiliikkeen puoleen.
eStore ei reagoi pääkytkimen päälle kytkemiseen.	eStore on varastotilassa.	➤ Aktivoi eStore.
	eStore4 on syväpurkautunut.	➤ Lataa eStore latausvirralla < 10 A. <b>Ohje:</b> Älä käytä älykkäitä latausjärjestelmiä (liittimissä ei ole jännitettä, kun pääkytkin on kytkettynä päälle. Älykkäät akkulatorit eivät käynnisty, jos jännitettä ei ole). ➤ Käännä valtuutetun ammattiliikkeen puoleen.
	eStore on konfiguroitu slave-ordalaitteeksi eikä master-laitteeksi.	➤ Käytä eStore-masterin (eStore, jolle konfiguroitu numero on #1) pääkytkintä
	Useiden eStorejen liittämiskonfigurointi on virheellinen.	➤ Tarkasta konfigurointi.
	eStore on rikki.	➤ Käännä valtuutetun ammattiliikkeen puoleen.

Häiriö	Syy	Poistaminen
Pääkytkin kytkeytyy päälle (sulkeutuu) ja heti pois (avautuu).	eStore on syväpurkautunut.	➤ Lataa eStore.
	eStore on yllladattu.	➤ Irrota laturit eStoresta. ➤ Tarkista akkulatorin latausjännite.
	Latausvirta on liian voimakas.	➤ Vähennä latausvirtaa.
	Purkuvirta on liian voimakas.	➤ Pienennä kuormaa. ➤ Tarkista eStoren lämpötila. ➤ Lataa eStore.
	eStore on viallinen.	➤ Käänny valtuutetun ammattiliikkeen puoleen.
"Varoitus eStore" ilmestyy eCoren käyttöpaneeliin.	eStore-lämpötila on liian matala.	➤ Tarkista laturin tila-LED. ➤ Tarkista eStore-lämpötila. ➤ Lämmitä ympäristöä.
	eStore-lämpötila on liian korkea.	➤ Tarkista laturin tila-LED. ➤ Tarkista eStore-lämpötila. ➤ Jäähdytä ympäristöä.

## 13 Tuotevastuu

Laitetta koskee lakisääteinen takuu-aika. Jos tuote sattuu olemaan viallinen, käänny maasi valmistajan toimipisteen puoleen (osoitteet käyttöohjeen takasivulla) tai ota yhteyttä omaan ammattikauppiaseesi.

Korjaus- ja takuukäsittelyä varten lähetä mukana seuraavat asiakirjat:

- kopio ostolaskusta, jossa näkyy ostopäivä,
- valitusperuste tai vikakuvaus.

## 14 Hävittäminen

- Vie pakkausmateriaali mahdollisuuksien mukaan vastaavan kierrätysjätteen joukkoon.



Jos poistat tuotteen lopullisesti käytöstä, pyydä tietoa sen hävittämistä koskevista määräyksistä lähimmästä kierrätyskeskuksesta tai ammattiliikkeestäsi.




### Muista ympäristönsuojelu!

Akut ja paristot eivät kuulu kotitalousjätteen sekaan.

Toimita vialliset akut tai käytetyt paristot kauppialle tai keräyspisteeseen.

## 15 Tekniset tiedot

	eStore
Tuotenumero:	9102900224
Nimellinen jännite:	13,2 V <sup>---</sup>
Käyttölämpötila-alue (purkautumisessa):	-30 °C (alennetulla teholla) - +55 °C
Latauksen lämpötila-alue eCorella: muilla latureilla:	-10 °C ... +55 °C 0 °C ... +40 °C
Nimellinen kapasiteetti:	100 Ah
Mitat P x L x K	315 x 160 x 285 mm
Paino:	17 kg
Tarkastus/sertifikaatti:	 IEC 62133 UN 38.3 UN 3480

**Прочтите данную инструкцию перед монтажом и вводом в эксплуатацию и сохраните ее. В случае передачи продукта передайте инструкцию следующему пользователю.**

## **Оглавление**

1	Пояснение символов . . . . .	247
2	Общие указания по технике безопасности. . . . .	248
3	Комплект поставки . . . . .	249
4	Принадлежности . . . . .	250
5	Использование по назначению . . . . .	251
6	Техническое описание . . . . .	252
7	Крепление eStore . . . . .	254
8	Присоединение eStore . . . . .	255
9	Перед первым использованием . . . . .	260
10	Использование eStore . . . . .	260
11	Очистка eStore . . . . .	262
12	Устранение неисправностей . . . . .	263
13	Гарантия . . . . .	267
14	Утилизация . . . . .	267
15	Технические данные . . . . .	268

# 1 Пояснение символов



## **ОПАСНОСТЬ!**

**Указания по технике безопасности:** Несоблюдение ведет к смертельному исходу или тяжелым травмам.



## **ПРЕДУПРЕЖДЕНИЕ!**

**Указания по технике безопасности:** Несоблюдение может привести к смертельному исходу или тяжелым травмам.



## **ОСТОРОЖНО!**

**Указания по технике безопасности:** Несоблюдение может привести к травмам.



## **ВНИМАНИЕ!**

Несоблюдение может привести к повреждениям и нарушить работу продукта.



## **УКАЗАНИЕ**

Дополнительная информация по управлению продуктом.

## 2 Общие указания по технике безопасности

Изготовитель не несет никакой ответственности за ущерб в следующих случаях:

- Повреждения продукта из-за механических воздействий и превышения напряжения и силы тока
- Изменения в продукте, выполненные без однозначного разрешения изготовителя
- Использование в целях, отличных от указанных в данной инструкции

Соблюдайте следующие основные предписания по технике безопасности при пользовании электроприборами для защиты от:

- поражения электрическим током
- опасности возникновения пожара
- травм

### 2.1 Основные указания по технике безопасности



#### **ОПАСНОСТЬ!**

- В случае пожара используйте огнетушитель, пригодный для тушения электрооборудования.



#### **ПРЕДУПРЕЖДЕНИЕ!**

- Запрещается вводить прибор в работу, если он или соединительный кабель имеют видимые повреждения.
- Ремонт данного прибора разрешается выполнять только специалистам. Неправильно выполненный ремонт может приводить к серьезным опасностям.
- Лица (в том числе дети), которые в связи с ограниченными физическими, сенсорными или умственными способностями или с недостатком опыта или знаний, не в состоянии пользоваться прибором, не должны использовать прибор без постоянного присмотра или инструктажа ответственными за них лицами.
- **Электроприборы не являются детскими игрушками!** Поэтому храните и используйте прибор в недоступном для детей месте.
- За детьми необходимо постоянно следить, чтобы не допускать их игры с устройством.



**ВНИМАНИЕ!**

- Перед вводом в эксплуатацию сравните значения напряжения, указанные на заводской табличке, с характеристиками имеющегося источника питания.
- Следите за тем, чтобы другие предметы **не** вызывали короткого замыкания на контактах прибора.
- Следите за тем, чтобы **не** соприкасались положительный и отрицательный зажимы.
- Если необходимо провести электрические провода через стенки с острыми краями, то используйте металлорукава или кабельные вводы.
- Не прокладывайте незакрепленные или сильно изогнутые провода по электропроводящим материалам (металлу).

## 2.2 Техника безопасности при работе прибора

**ОПАСНОСТЬ! Опасность для жизни из-за поражения электрическим током!**

- Не беритесь голыми руками за оголенные провода. Это прежде всего касается работы приборов от сети переменного тока.

**ПРЕДУПРЕЖДЕНИЕ!**

- Используйте прибор только в закрытых, хорошо проветриваемых помещениях.

**ОСТОРОЖНО!**

- **Не** эксплуатируйте прибор
  - в условиях высокой влажности и высокого содержания соли в воздухе
  - вблизи источников агрессивных паров
  - вблизи горючих материалов
  - во взрывоопасных зонах
- Не тяните за провода.

## 3 Комплект поставки

- Батарея eStore
- Инструкция по монтажу и эксплуатации

## 4 Принадлежности

Продается в качестве принадлежностей и запасных частей (не входит в комплект поставки):

Наименование деталей	Арт. №
Комплект кабелей для шины eStore RJ11 и идентификационная наклейка eStore Для подключения между несколькими устройствами eStore, когда используется шина eStore.	9102900279
Комплект для переоборудования eStore USB-кабель и компакт-диск с данными Для установки нескольких устройств eStore – только монтажник	9102900281
Комплект кабелей для шины eStore-eCore Кабель CAT5-LAN, RJ45 Для подключения между устройствами eStore и eCore	9102900280
Кабель шины eStore-MPC01 Для подключения между устройствами eStore и MPC01	9102200197
Кабель шины eStore-MCA Для подключения между зарядными устройствами eStore и MCA, если не используется MPC01	9103530048
Запасной предохранитель 250 А Серия Littelfuse Mega, расстояние между отверстиями 50,8 мм	9102900282
Комплект скоб eStore – вертикальный Для горизонтального монтажа eStore	9102900289
Комплект скоб eStore – горизонтальный Для горизонтального монтажа eStore	9102900290

## 5 Использование по назначению

eStore служит как источник напряжения 12 В в электроустановках жилых прицепов, кемперов, коммерческих автомобилей и стационарных установках. Запрещается использовать eStore для медицинских целей.

В комбинации с инвертором, например, eCore, может обеспечиваться и электропитание напряжением 230 В $\sim$ .

Использование в качестве стартерной батареи не возможно. eStore запрещается соединять напрямую со стартерной батареей. Путем параллельного включения нескольких батарей eStore можно обеспечить ток, достаточный для поддержки стартерной батареи. Можно параллельно соединять друг с другом до восьми устройств eStore, чтобы увеличить установленную общую мощность до 800 Ач.

eStore можно переносить за встроенные ручки.

## 6 Техническое описание

### 6.1 Общее описание

eStore представляет собой не требующую технического обслуживания литий-ионную батарею для электропитания в системах 12 В $\text{---}$ . eStore оснащен внутренним главным выключателем и внутренним предохранителем на 250 А.

В комбинации с системой управления аккумуляторами устройство eStore предлагает следующие функции:

- контроль элементов аккумуляторных батарей
- контроль напряжения аккумуляторных батарей
- контроль температуры элементов аккумуляторных батарей с помощью интегрированных датчиков температуры
- связь между несколькими батареями eStore

eStore можно заряжать с помощью зарядных устройств серии eCore или PerfectCharge MCA. Допускается использование зарядных устройств других производителей. Для обеспечения того, чтобы внутренний главный переключатель во время зарядки при нормальных условиях оставался замкнутым, зарядное устройство должно соответствовать следующим требованиям:

1. Зарядное напряжение: в диапазоне от 13,8 В до 14,0 В
2. Максимальный выходной ток: 40 А на каждую присоединенную батарею eStore (рекомендуется 30 А)

Для повышения общей емкости можно включить параллельно до 8 батарей eStore. Общий максимальный выходной ток не должен превышать 250 А.



#### УКАЗАНИЕ

Одна батарея eStore на короткое время может предоставлять ток 250 А. Ток длительной нагрузки не должен превышать 200 А. Длительный разрядный ток свыше 200 А из одной батареи eStore может приводить к сокращению срока службы. Используйте две или больше батарей eStores, если в течение длительного времени требуется ток свыше 200 А.

## 6.2 Органы индикации и управления

Поз. на рис. <b>1</b> , стр. 3	Наименование	Пояснение
1	Главный выключатель	активирует (закрывает) и деактивирует (размыкает) внутренний главный выключатель
2	Светодиодный индикатор состояния	<p>Не горит: система управления аккумуляторами выключена из-за активного режима зарядки или чрезмерной разрядки</p> <p>Мигает зеленым светом: система управления аккумуляторами активна, главный выключатель активирован или включен (замкнут)</p> <p>Мигает желтым светом: система управления аккумуляторами активна, главный выключатель деактивирован или выключен (разомкнут)</p> <p>Мигает красным светом: неисправность</p>
3	Шинный eStore-интерфейс	
4	LIN-разъем для подсоединения к зарядным устройствам PerfectCharge MCA и MPC01	
5	USB-интерфейс для конфигурации	
6	Интерфейс шины CAN	

## 6.3 Предохранитель и разъемы

Поз. на рис. <b>2</b> , стр. 3	Наименование	Пояснение
1	Отрицательный полюс	Зажим M8 для зарядных устройств и потребителей
2	Внутренний предохранитель	250 А – крепежные отверстия со стандартным шагом 50,8 мм
3	Положительный полюс	Зажим M8 для зарядных устройств и потребителей

## 7 Крепление eStore



### ПРЕДУПРЕЖДЕНИЕ!

eStore запрещается фиксировать ремнями и т. п. за пластиковый кожух, т. к. это ведет к повреждениям eStore.



### УКАЗАНИЕ

При использовании нескольких соединенных батарей eStore учитывайте следующее: Выполните конфигурацию и маркировку батарей eStore перед монтажом в автомобиль, см. гл. «Соединение нескольких eStore» на стр. 258.

### Соблюдайте следующие указания в отношении места монтажа

- eStore можно монтировать вертикально (рис. **11**, стр. 6) или горизонтально (рис. **12**, стр. 7) на ровной и прочной поверхности.
  - eStore запрещается устанавливать вблизи горючих материалов.
  - Место монтажа должно быть защищено от влаги и пыли.
  - Вокруг устройства eStore оставьте минимум 2 см свободного пространства и обеспечьте хорошую вентиляцию. Монтаж должен предотвратить низкие температуры при работе зимой (зарядке) для обеспечения непрерывной эксплуатации.
  - В целях обеспечения безопасности учитывайте при монтаже (при сверлении, установке винтов и т. п.) прохождение имеющихся, особенно не видимых кабелей, проводов и других компонентов, которые находятся в зоне монтажа!
  - Если вы устанавливаете несколько eStore, то оставляйте между ними не менее 1 см.
- Выберите подходящее место монтажа и надежно закрепите там eStore.
- **Вертикальный монтаж:** Используйте встроенные крепежные ножки (рис. **11**, стр. 6). Подходящие скобы имеются в качестве аксессуаров (см. гл. «Принадлежности» на стр. 250).
- **Горизонтальный монтаж:** Закрепите устройство eStore двумя ремнями или лентами над прибором (рис. **12**, стр. 7). Проведите их под ручки и крепежные ножки и зафиксируйте их на монтажной поверхности. Таким образом обеспечивается неподвижность устройства eStore, если транспортное средство находится в движении. Подходящие скобы имеются в качестве аксессуаров (см. гл. «Принадлежности» на стр. 250).

## 8 Присоединение eStore

### 8.1 Открытие крышки полюсов

- ▶ Разблокируйте затвор, слегка прижав штифт в центре затвора (рис. **3** 1, стр. 3).  
Следите за тем, чтобы не продавить его полностью.
- ▶ Откройте крышку (рис. **3** 2, стр. 3).
- ▶ Снимите разблокированный затвор (рис. **3** 3, стр. 3).
- ▶ Учитывайте положения затвора (рис. **4**, стр. 4):
  - 1: разблокирован
  - 2: готов к работе
  - 3: заблокирован

### 8.2 Закрытие крышки полюсов

- ▶ Верните штифт в исходное положение.
- ▶ Вставьте готовый к работе затвор (рис. **5** 1, стр. 4).
- ▶ Закройте крышку (рис. **5** 2, стр. 4).
- ▶ Заблокируйте затвор, слегка прижав штифт в центре крышки (рис. **5** 3, стр. 4).  
Следите за тем, чтобы не продавить его полностью.

### 8.3 Активирование eStore



#### УКАЗАНИЕ

eStore поставляется в режиме хранения, который уменьшает саморазряд во время хранения. Для использования батареи eStore ее необходимо вначале активировать.

- ▶ Откройте крышку полюсов (см. гл. «Открытие крышки полюсов» на стр. 255).
- ▶ Соедините положительный полюс (рис. **2** 1, стр. 3) и отрицательный полюс (рис. **2** 2, стр. 3) с батареей 12 В или зарядным устройством.
- ✓ Светодиодный индикатор состояния (рис. **1** 2, стр. 3) мигает желтым светом.
- ✓ eStore активирована.

## 8.4 Присоединение соединительного кабеля



### ВНИМАНИЕ!

- Присоединяйте только приборы с номинальным напряжением 12 В $\sim$ .
- При присоединении приборов к eStore соблюдайте правильную полярность. Соблюдайте соответствующие инструкции по эксплуатации.
- Убедитесь в том, что приборы, которые вы хотите присоединить, выключены.

- Включите (разомкните) главный выключатель eStore, нажав главный выключатель (рис. **1** 1, стр. 3).
- Откройте крышку (гл. «Открытие крышки полюсов» на стр. 255).
- Соедините положительный кабель с положительным полюсом (рис. **2** 3, стр. 3).
- Затяните полюсный болт с моментом затяжки 13 – 15 Нм.
- Закройте крышку (гл. «Закрытие крышки полюсов» на стр. 255).
- Откройте крышку отрицательного полюса (гл. «Открытие крышки полюсов» на стр. 255).
- Соедините отрицательный кабель с отрицательным полюсом (рис. **2** 1, стр. 3).
- Затяните полюсный болт с моментом затяжки 13 – 15 Нм.
- Закройте крышку отрицательного полюса (гл. «Закрытие крышки полюсов» на стр. 255).
- Выключите (замкните) главный выключатель eStore, нажав главный выключатель (рис. **1** 1, стр. 3).



## 8.5 Присоединение потребителей

- Отключите все приборы, в частности, те, которые соединены с eStore.
- Включите (разомкните) главный выключатель eStore, нажав главный выключатель (рис. **1** 1, стр. 3).
- Присоедините прибор на 12 В $\overline{=}$  к eStore.
- Выключите (замкните) главный выключатель eStore, нажав главный выключатель (рис. **1** 1, стр. 3).
- Включите прибор на 12 В $\overline{=}$ .

## 8.6 Присоединение кабеля данных

Для передачи данных можно присоединить eStore следующим образом:

- к eCore по шине CAN
- к зарядному устройству PerfectCharge MCA через шину LIN-/CI
- к зарядному устройству PerfectCharge MCA через шину LIN-/CI через MPC01

Благодаря передаче данных можно контролировать и отображать такие параметры, как напряжение, температуру и состояние заряда. Дальнейшая информация приведена в инструкциях по эксплуатации соответствующих приборов.

- Установите канал передачи данных соответственно конфигурации приборов.

## 8.7 Соединение нескольких eStore

Для повышения общей емкости до 800 Ач можно соединить параллельно между собой до восьми устройств eStore. На рисунке показан канал передачи данных трех соединенных батарей eStore (рис. **6**, стр. 4).



### УКАЗАНИЕ

- Для соединения нескольких eStore друг с другом требуется не менее одного шинного кабеля и конфигурационный пакет eStore (см. гл. «Принадлежности» на стр. 250).
- Соединенные друг с другом eStore должны быть настроены с помощью конфигуратора eStore (гл. «Присоединение и конфигурация шинных кабелей» на стр. 258). Если вы используете только одну батарею eStore, то ничего настраивать не требуется. eStore имеет заводскую настройку для применения в качестве отдельной батареи.
- Убедитесь в том, что после монтажа все eStore полностью заряжены.

Первая батарея eStore служит ведущим устройством. Она выполняет следующие функции:

- Она управляет главными выключателями остальных eStore (рис. **6**, стр. 4).
- Она соединяет зарядные устройства по CAN/LIN.

Остальные eStore управляются ведущим устройством в качестве ведомых устройств.

### Присоединение и конфигурация шинных кабелей

Для конфигурации требуется ПК с USB-портом и конфигуратор eStore.

В зависимости от конкретной ситуации, имеет смысл сконфигурировать и обозначить все eStore перед монтажом в автомобиль.

- Убедитесь в том, что eStore не находится в режиме аккумуляции (светодиодный индикатор состояния мигает).
- Вставьте USB-кабель от ПК в USB-порт (рис. **1** 5, стр. 3) первой eStore (ведущее устройство).
- Выполните конфигурацию ведущего устройства (см. гл. «Конфигурация соединенных батарей eStore» на стр. 259).
- Нанесите идентификационную наклейку (рис. **6** 6, стр. 4) на ведущее устройство (рис. **6** 1, стр. 4).

- Отсоедините USB-кабель от ведущего устройства.
- Вставьте USB-кабель от ПК в USB-порт первого ведомого устройства.
- Нанесите идентификационные наклейки (рис. **6** 3, стр. 4) на ведомое устройство (рис. **6** 2, стр. 4).
- При необходимости, сконфигурируйте остальные ведомые устройства.
- Соедините батареи eStore шинными кабелями (рис. **6** 4, стр. 4).

## 8.8 Конфигурация соединенных батарей eStore

- При необходимости, установите ModbusReader «mbreader\_setup.exe» с компакт-диска на ПК.
- Скопируйте файл «eStore\_Configuration\_utility\_FM739.mbc» с компакт-диска на жесткий диск ПК.
- Откройте файл «eStore\_Configuration\_utility\_FM739.mbc».
- ✓ Открывается конфигуратор eStore (рис. **7**, стр. 5).
- Нажмите **CTRL+F** или выберите в меню «Connection» команду **Find COM** (рис. **8** 1, стр. 5).
- Выберите новый номер порта, в примере COM18 (рис. **8** 2, стр. 5).
- Нажмите **CTRL+P** или выберите в меню «Connection» команду **COM Parameters** (рис. **8** 3, стр. 5).
- Открывается окно **COM Settings**.
- Выберите из списка выбора **Parity** (рис. **8** 4, стр. 5) значение **Even**.
- Нажмите **OK** (рис. **8** 5, стр. 5).
- Введите в поле **Pack Address** номер eStore, например, «1» для ведущего устройства (рис. **9** 1, стр. 5).
- Нажмите "F2" или выберите в меню «Connection» команду **Connect** (рис. **8** 6, стр. 5).
- Нажмите кнопку Enter.
- Введите в поле **Total Pack Number** количество всех eStore, например, «3», если вы хотите присоединить три прибора (рис. **9** 2, стр. 5).
- Нажмите кнопку Enter.
- Введите в поле **Parallel Pack Number** количество всех eStore, например, «3», если вы хотите присоединить три прибора (рис. **9** 3, стр. 5).

**Указание:** Значения Total Pack Number и Parallel Pack Number должны быть одинаковыми.

- Нажмите кнопку Enter.
- Введите пароль **3331** (рис. **9** 4, стр. 5).
- Нажмите кнопку Enter.
- Нанесите идентификационные наклейки (рис. **9** 5, стр. 5).

**Указание:** Номер последней батареи eStore должен быть равным общему количеству батарей eStore.

## 9 Перед первым использованием



### УКАЗАНИЕ

Убедитесь в том, что отдельная или несколько батарей eStore после монтажа полностью заряжены, т. к. разряд может приводить к повреждениям.

## 10 Использование eStore



### ВНИМАНИЕ!

Не оставляйте устройство eStore в незаряженном состоянии. Если главный переключатель разомкнется из-за чрезмерной разрядки, то как можно скорее снова зарядите eStore (макс. 5 дней). В противном случае eStore переключится в режим зарядки и может повредиться.



### УКАЗАНИЕ

Для достижения оптимального срока службы eStore соблюдайте следующие указания:

- Не допускайте сильной разрядки, чтобы не разомкнулся главный переключатель (см. гл. «Рабочее напряжение и главный переключатель» на стр. 261).
- Во время процесса заряда или хранения не допускайте экстремально высоких или низких температур.
- Не допускайте длительного высокого разряда (> 200 А).

## 10.1 Рабочее напряжение и главный переключатель

Система управления аккумулятором eStore (BMS) оценивает состояние каждого отдельного элемента аккумулятора, чтобы определить, когда аккумулятор должен быть защищен путем размыкания главного переключателя.

Главный переключатель работает следующим образом:

Состояние eStore	Поведение главного переключателя
Разрядка	<p>&lt; 30 А, 11 – 12 В: Главный переключатель размыкается</p> <p>&gt; 30 В, 10 – 11,8 В: главный переключатель размыкается</p> <p>Это ориентировочные значения и указываются только для ориентировки. Напряжение при размыкании главного переключателя зависит от внутренних параметров, таких как напряжение и температура элемента, а также разрядный ток. Указанные значения тока действительны для отдельных устройств eStore</p>
Зарядка	<p>Напряжение при размыкании главного переключателя зависит от внутренних параметров, таких как напряжение и температура элемента, а также зарядный ток. Максимальное напряжение перед размыканием главного переключателя составляет 15,2 В. Зарядка с рекомендуемыми параметрами в нормальном режиме гарантирует, что главный переключатель останется замкнутым.</p> <p>См. гл. «Заряд eStore» на стр. 261 рекомендуемые параметры зарядки.</p>

## 10.2 Заряд eStore



### ВНИМАНИЕ!

eStore можно заряжать с помощью зарядных устройств eCore или PerfectCharge MCA (выберите Power Mode – режим мощности; в инструкции по эксплуатации зарядного устройства указано соответствующее положение DIP-переключателя). Допускается использование зарядных устройств других производителей. Главный переключатель при зарядке в нормальных условиях остается замкнутым, если соблюдаются следующие параметры зарядки:

- Зарядное напряжение: в диапазоне от 13,8 В до 14,0 В
- Максимальный выходной ток: 40 А на каждую присоединенную батарею eStore (рекомендуется 30 А)



### УКАЗАНИЕ

Соблюдайте также инструкцию по эксплуатации используемого зарядного устройства.

## 10.3 Замена предохранителя



### УКАЗАНИЕ

Используйте предохранитель максимум на 250 А с шагом отверстий 50,8 мм.

При замене предохранителя соблюдайте следующий порядок действий:

- ▶ Откройте крышку положительного полюса (гл. «Открытие крышки полюсов» на стр. 255).
- ▶ Выньте гайки и подкладные шайбы предохранителя (рис. **10** 1, стр. 6).
- ▶ Замените предохранитель (рис. **10** 2, стр. 6).
- ▶ Закрепите новый предохранитель гайками и подкладными шайбами (рис. **10** 1, стр. 6). Затяните гайки с моментом затяжки 13 - 15 Нм.
- ▶ Закройте крышку положительного полюса (гл. «Закрытие крышки полюсов» на стр. 255).

## 10.4 Хранение eStore



### УКАЗАНИЕ

- Храните устройство eStore в прохладном, сухом месте.
- Избегайте хранения при продолжительной высокой температуре. Это сокращает срок службы.
- Заряжайте устройство eStore каждые 3 месяца.
- Для более долгого хранения (например, если транспортное средство не используется зимой):
  - Удалите всех потребителей.
  - Зарядите устройство eStore.
  - Разомкните главный переключатель.

Это предотвращает чрезмерную разрядку и повреждение eStore.

## 11 Очистка eStore



### ВНИМАНИЕ!

Не использовать для очистки острые или твердые предметы или чистящие средства, т. к. это может привести к повреждениям продукта.

- ▶ Периодически очищайте продукт влажной тряпкой.

## 12 Устранение неисправностей

Неисправность	Причина	Устранение
На зажимах батареи отсутствует напряжение.	Главный выключатель выключен (разомкнут).	➤ Включите (замкните) главный выключатель.
	Неисправен предохранитель.	➤ Замените предохранитель (см. гл. «Замена предохранителя» на стр. 262).
eStore находится в режиме аккумуляции.		➤ Активируйте eStore.
Неправильная конфигурация eStore.		➤ Сконфигурируйте eStore.
eStore глубоко разряжена.		<p>➤ Зарядите eStore зарядным током &lt; 10 А.</p> <p><b>Указание:</b> Не используйте интеллигентные зарядные системы (при включенном главном выключателе на зажимах отсутствует напряжение. Интеллигентные устройства для заряда аккумуляторных батарей не включаются, если отсутствует напряжение).</p> <p>➤ Обратитесь к официальному дилеру.</p>
Неисправность eStore.		➤ Обратитесь к официальному дилеру.

Неисправность	Причина	Устранение
Светодиодный индикатор состояния не мигает.	eStore находится в режиме аккумуляции.	<ul style="list-style-type: none"> <li>▶ Активируйте eStore.</li> </ul>
	Устройство eStore сильно разряжено.	<ul style="list-style-type: none"> <li>▶ Зарядите eStore зарядным током &lt; 10 А. <b>Указание:</b> Не используйте интеллигентные зарядные системы (при включенном главном выключателе на зажимах отсутствует напряжение. Интеллигентные устройства для заряда аккумуляторных батарей не включаются, если отсутствует напряжение).</li> <li>▶ Обратитесь к официальному дилеру.</li> </ul>
	Неисправность eStore.	<ul style="list-style-type: none"> <li>▶ Обратитесь к официальному дилеру.</li> </ul>
Светодиодный индикатор состояния мигает красным светом.	eStore сконфигурирована для присоединения нескольких eStore, а шинные кабели не присоединены.	<ul style="list-style-type: none"> <li>▶ Вставьте кабели eStore.</li> </ul>
	eStore глубоко разряжена.	<ul style="list-style-type: none"> <li>▶ Зарядите eStore.</li> </ul>
	eStore перезаряжена.	<ul style="list-style-type: none"> <li>▶ Отсоедините зарядные устройства от eStore.</li> <li>▶ Проверьте зарядное напряжение зарядных устройств.</li> </ul>
	Неисправность eStore.	<ul style="list-style-type: none"> <li>▶ Обратитесь к официальному дилеру.</li> </ul>



Неисправность	Причина	Устранение
eStore не реагирует на включение главного выключателя.	eStore находится в режиме аккумуляции.	➤ Активируйте eStore.
	eStore глубоко разряжена.	➤ Зарядите eStore зарядным током < 10 А. <b>Указание:</b> Не используйте интеллигентные зарядные системы (при включенном главном выключателе на зажимах отсутствует напряжение. Интеллигентные устройства для заряда аккумуляторных батарей не включаются, если отсутствует напряжение). ➤ Обратитесь к официальному дилеру.
	eStore сконфигурирована как ведомое, а не как ведущее устройство.	➤ Используйте главный выключатель ведущего устройства eStore (eStore сконфигурирована как #1)
	Неправильная конфигурация для присоединения нескольких eStore.	➤ Проверьте конфигурацию.
Главный выключатель включается (закрывается), а затем сразу же выключается (размыкается).	Неисправность eStore.	➤ Обратитесь к официальному дилеру.
	eStore глубоко разряжена.	➤ Зарядите eStore.
	eStore перезаряжена.	➤ Отсоедините зарядные устройства от eStore. ➤ Проверьте зарядное напряжение зарядных устройств.
	Слишком высокий зарядный ток.	➤ Уменьшите зарядный ток.
	Слишком высокий разрядный ток.	➤ Уменьшите нагрузку. ➤ Проверьте температуру eStore. ➤ Зарядите eStore.
	Дефект eStore.	➤ Обратитесь к официальному дилеру.

<b>Неисправность</b>	<b>Причина</b>	<b>Устранение</b>
На панели управления eCore появляется сообщение «Warning eStore».	Слишком низкая температура eStore.	<ul style="list-style-type: none"><li>▶ Проверьте светодиодный индикатор состояния зарядного устройства.</li><li>▶ Проверьте температуру eStore.</li><li>▶ Нагрейте помещение.</li></ul>
	Слишком высокая температура eStore.	<ul style="list-style-type: none"><li>▶ Проверьте светодиодный индикатор состояния зарядного устройства.</li><li>▶ Проверьте температуру eStore.</li><li>▶ Охладите помещение.</li></ul>

## 13 Гарантия

Действителен установленный законом срок гарантии. Если продукт неисправен, обратитесь в представительство изготовителя в Вашей стране (адреса см. на оборотной стороне инструкции) или в торговую организацию.

В целях проведения ремонта или гарантийного обслуживания Вы должны также послать следующие документы:

- копию счета с датой покупки,
- причину рекламации или описание неисправности.

## 14 Утилизация

- По возможности, выкидывайте упаковочный материал в мусор, подлежащий вторичной переработке.




Если Вы окончательно выводите продукт из эксплуатации, то получите информацию в ближайшем центре по вторичной переработке или в торговой сети о соответствующих предписаниях по утилизации.



### **Защищайте окружающую среду!**

Аккумуляторы и батареи запрещается выбрасывать в бытовой мусор. Неисправные аккумуляторы и разряженные батареи сдавайте в торговую организацию или в специальные сборные пункты.

## 15 Технические данные

	<b>eStore</b>
Арт. №:	9102900224
Номинальное напряжение:	13,2 В===
Диапазон рабочих температур (при разрядке):	от -30 °С (с уменьшенной мощностью) до +55 °С
Диапазон температур для заряда с помощью eCore: с помощью других зарядных устройств:	от -10 °С до +55 °С от 0 °С до +40 °С
Номинальное емкость:	100 Ач
Размеры Д x Ш x В:	315 x 160 x 285 мм
Вес:	17 кг
Испытания/сертификат:	
	IEC 62133 UN 38.3 UN 3480

**Przed instalacją i uruchomieniem urządzenia należy uważnie przeczytać niniejszą instrukcję. Instrukcję należy zachować. W razie przekazywania urządzenia należy ją udostępnić kolejnemu nabywcy.**

## Spis treści

1	Objaśnienie symboli . . . . .	270
2	Ogólne wskazówki bezpieczeństwa . . . . .	271
3	Zakres dostawy . . . . .	272
4	Akcesoria . . . . .	273
5	Użytkowanie zgodne z przeznaczeniem . . . . .	274
6	Opis techniczny . . . . .	275
7	Mocowanie eStore . . . . .	277
8	Podłączanie eStore . . . . .	278
9	Przed pierwszym użyciem . . . . .	283
10	Korzystanie z eStore . . . . .	284
11	Czyszczenie eStore . . . . .	287
12	Usuwanie usterek . . . . .	288
13	Gwarancja . . . . .	290
14	Utylizacja . . . . .	291
15	Dane techniczne . . . . .	291

# 1 Objąśnienie symboli

**NIEBEZPIECZEŃSTWO!**

**Wskazówka dot. bezpieczeństwa:** Nieprzestrzeganie powoduje śmierć lub ciężkie obrażenia ciała.

**OSTRZEŻENIE!**

**Wskazówka dot. bezpieczeństwa:** Nieprzestrzeganie może prowadzić do śmierci lub ciężkich obrażeń ciała.

**OSTROŻNIE!**

**Wskazówka dot. bezpieczeństwa:** Nieprzestrzeganie może prowadzić do obrażeń ciała.

**UWAGA!**

Nieprzestrzeganie może prowadzić do powstania szkód materialnych i zakłóceń w działaniu produktu.

**WSKAZÓWKA**

Informacje uzupełniające dot. obsługi produktu.

## 2 Ogólne wskazówki bezpieczeństwa

W następujących przypadkach producent nie przejmuje odpowiedzialności za szkody:

- uszkodzenia produktu wywołane czynnikami mechanicznymi i przepięciami oraz nadmiarem prądu
- zmiany w produkcie dokonane bez wyraźnej zgody producenta
- użytkowanie w celach innych niż opisane w niniejszej instrukcji.

Należy przestrzegać podstawowych zasad bezpieczeństwa obowiązujących przy używaniu urządzeń elektrycznych w celu ochrony przed:

- porażeniem prądem
- pożarem
- obrażeniami ciała

### 2.1 Podstawowe zasady bezpieczeństwa



#### **NIEBEZPIECZEŃSTWO!**

- W przypadku pożaru należy użyć gaśnicy odpowiedniej do gaszenia urządzeń elektrycznych.



#### **OSTRZEŻENIE!**

- Jeżeli urządzenie lub kabel przyłączeniowy są w widoczny sposób uszkodzone, nie wolno używać danego urządzenia.
- Napraw mogą dokonywać tylko odpowiednio wykwalifikowane osoby. Niefachowe naprawy mogą spowodować poważne niebezpieczeństwo.
- Osoby (łącznie z dziećmi), które z powodu swych zdolności psychofizycznych, sensorycznych lub intelektualnych bądź niedoświadczenia lub niewiedzy nie są w stanie bezpiecznie używać urządzenia, nie powinny korzystać z niego bez nadzoru odpowiedzialnej osoby.
- **Urządzenia elektryczne nie są zabawkami dla dzieci!** Urządzenie należy stosować i przechowywać poza zasięgiem dzieci.
- Należy dopilnować, aby tym urządzeniem nie bawiły się dzieci.

**UWAGA!**

- Przed uruchomieniem należy porównać dane dotyczące napięcia na tabliczce znamionowej z dostępnym źródłem zasilania.
- Należy zwrócić uwagę na to, aby inne przedmioty **nie** spowodowały zwarcia przy stykach urządzenia.
- Należy także pamiętać, aby **nigdy** nie dotykać dodatniego i ujemnego zacisku.
- Jeżeli przewody są przeprowadzane przez ściany o ostrych krawędziach, należy użyć pustych rurek lub przepustów przewodów.
- Nie należy układać luźnych albo mocno zgiętych przewodów na materiałach przewodzących prąd (metal).

## 2.2 Bezpieczeństwo podczas eksploatacji urządzenia

**NIEBEZPIECZEŃSTWO! Zagrożenie życia w wyniku porażenia prądem!**

- Nigdy nie wolno chwycić gołymi rękami nieosłoniętych przewodów. Dotyczy to przede wszystkim zasilania urządzenia z sieci prądu przemianowego.

**OSTRZEŻENIE!**

- Urządzenie można używać jedynie w zamkniętych oraz dobrze wentylowanych pomieszczeniach.

**OSTROŻNIE!**

- Urządzenia **nie** należy używać:
  - w słonym, wilgotnym lub mokrym otoczeniu
  - w sąsiedztwie żrących oparów
  - w pobliżu materiałów palnych
  - w miejscach, w których istnieje zagrożenie wybuchem
- Nie należy ciągnąć za przewody.

## 3 Zakres dostawy

- Akumulator eStore
- Instrukcja montażu i obsługi



## 4 Akcesoria

Elementy dostępne jako akcesoria i części zamienne (nieobjęte zakresem dostawy):

Nazwa części	Numer produktu
Zestaw przewodów magistrali eStore Naklejka ID dla RJ11 i eStore Do połączenia pomiędzy kilkoma akumulatorami eStore w przypadku używania magistrali eStore.	9102900279
Zestaw konfiguracyjny akumulatora eStore Przewód USB i płyta CD z danymi Do zakładania kilku akumulatorów eStore - tylko plik instalacyjny	9102900281
Zestaw przewodów magistrali eStore-eCore Przewód CAT5-LAN, RJ45 Do podłączenia pomiędzy eStore a eCore	9102900280
Przewód magistrali eStore-MPC01 Do podłączenia pomiędzy eStore a MPC01	9102200197
Przewód magistrali eStore MCA Do podłączenia pomiędzy eStore a ładowarkami MCA, gdy nie jest używane MPC01	9103530048
Bezpieczniki wymienny 250 A Seria Littelfuse Mega, odstęp między otworami 50,8 mm	9102900282
Zestaw strzemiączek eStore - pionowo Do pionowego montażu eStore	9102900289
Zestaw strzemiączek eStore - poziomo Do poziomego montażu eStore	9102900290

## 5 Użytkowanie zgodne z przeznaczeniem

eStore służy jako źródło napięcia 12 V w instalacjach elektrycznych pojazdów kempingowych, kamperów, pojazdów komercyjnych i do zastosowań stacjonarnych. eCore nie można używać do celów medycznych.

W połączeniu z przetwornicą, np. eCore, możliwe jest też zasilenie urządzeń napięciem 230 V $\sim$ .

Nie jest możliwe zastosowanie w roli akumulatora rozruchowego. eStore nie można połączyć bezpośrednio z akumulatorem rozruchowym. Równoległe połączenie kilku akumulatorów eStore może zapewnić wystarczającą ilość prądu do wspomaganie akumulatora rozruchowego. Równoległe można połączyć ze sobą maksymalnie osiem akumulatorów eStore, aby zwiększyć łączną pojemność do 800 Ah.

Akumulator eStore można przenosić za wbudowane uchwyty.

## 6 Opis techniczny

### 6.1 Opis ogólny

eStore to bezobsługowy akumulator litowo-jonowy dla układów 12 V $\overline{=}$  do zasilania napięciem. Akumulator eStore posiada wewnętrzny wyłącznik główny i wewnętrzny bezpiecznik 250 A.

W połączeniu z systemem zarządzania akumulatorami eStore oferuje następujące funkcje:

- Nadzorowanie ogniw akumulatora
- Nadzorowanie napięcia akumulatora
- Nadzorowanie temperatury ogniw akumulatora przez zintegrowany czujnik temperatury
- Komunikacja pomiędzy akumulatorami eStore

eStore można ładować ładowarkami eCore lub serii PerfectCharge MCA. Wolno stosować ładowarki innych producentów. Aby w normalnych warunkach wewnętrzny wyłącznik główny podczas ładowania pozostawał zamknięty, ładowarka powinna spełniać następujące wymagania:

1. Napięcie końcowe ładowania: pomiędzy 13,8 V a 14,0 V
2. Maksymalna moc wyjściowa: 40 A na podłączony eStore (zalecane 30 A)

W celu zwiększenia pojemności można równolegle podłączyć maks. 8 akumulatorów eStore. łączny maksymalny prąd wyjściowy nie może przekraczać 250 A.



#### **WSKAZÓWKA**

Przez krótki czas akumulator eStore może udostępniać prąd 250 A. Prąd stały nie powinien przekroczyć 200 A. Trwały prąd rozładowania na poziomie powyżej 200 A z akumulatora eStore może doprowadzić do zmniejszenia żywotności akumulatora. Gdy przez cały czas potrzebny jest prąd o natężeniu ponad 200 A, należy zastosować dwa lub więcej akumulatorów eStore.

## 6.2 Elementy wyświetlacza i elementy obsługi

Poz. na rys. <b>1</b> , strona 3	Nazwa	Objaśnienie
1	Wyłącznik główny	Aktywuje (zamyka) i deaktywuje (otwiera) wewnętrzny wyłącznik główny
2	Dioda LED statusu	Wył.: Układ zarządzania akumulatorem jest wyłączony z powodu zaktywowanego trybu magazynowego lub nadmiernego rozładowania  Miga na zielono: System zarządzania akumulatorem aktywny, wyłącznik główny jest aktywowany lub włączony (zamknięty)  Miga na żółto: System zarządzania akumulatorem aktywny, wyłącznik główny jest deaktywowany lub wyłączony (otwarty)  Miga na czerwono: Zakłócenie działania
3	Złącze magistrali eStore	
4	Złącze LIN do połączenia z ładowarkami PerfectCharge MCA i MPC01	
5	Złącze USB do konfigurowania	
6	Złącze magistrali CAN	

## 6.3 Bezpiecznik i przyłącza

Poz. na rys. <b>2</b> , strona 3	Nazwa	Objaśnienie
1	Biegun ujemny	Zacisk M8 do ładowarki i odbiorników
2	Bezpiecznik wewnętrzny	250 A - otwory mocowania ze standardowym odstępem 50,8 mm
3	Biegun dodatni	Zacisk M8 do ładowarki i odbiorników

## 7 Mocowanie eStore



### OSTRZEŻENIE!

Nie wolno mocować eStore pasami m.in. za osłonę z tworzywa sztucznego, ponieważ może to spowodować uszkodzenie akumulatora.



### WSKAZÓWKA

Ważna wskazówka w przypadku używania kilku połączonych akumulatorów eStore: Akumulator eStore należy skonfigurować i oznaczyć przed zamontowaniem w pojeździe, patrz rozdz. „Łączenie kilku akumulatorów eStore” na stronie 281

### Przestrzegać poniższych wskazówek odnośnie miejsca montażu

- eStore może być montowany pionowo (rys. **11**, strona 6) lub poziomo (rys. **12**, strona 7) na płaskiej i stabilnej powierzchni.
  - Nie wolno montować eStore w pobliżu materiałów łatwopalnych.
  - Miejsce montażu powinno zostać zabezpieczone przed wilgocią i kurzem.
  - Zostawić przynajmniej 2 cm wolnego miejsca dookoła eStore, aby zapewnić dobrą wentylację. Montaż powinien zapobiec niskim temperaturom podczas zimy (ładowanie) w celu zapewnienia ciągłości pracy.
  - Ze względów bezpieczeństwa w trakcie montażu (podczas wiercenia lub przykręcania) należy uważać na położenie przebiegających, w szczególności niewidocznych przewodów i innych części znajdujących się w obszarze montażu!
  - W przypadku montażu kilku akumulatorów eStore odległość między nimi powinna wynosić przynajmniej 1 cm.
- Wybrać odpowiednie miejsce montażu i zamontować w nim akumulator eStore.
- **Montaż pionowy:** Zastosować wbudowane nóżki mocujące (rys. **11**, strona 6).  
Pasujące strzemiączka są dostępne jako osprzęt (patrz rozdz. „Akcesoria” na stronie 273).
- **Montaż poziomy:** Zabezpieczyć eStore dwoma paskami lub taśmami (rys. **12**, strona 7). Przeprowadzić je przez uchwyty i nóżki mocujące, a następnie przymocować do powierzchni montażowej. To zabezpieczy eStore przed przemieszczaniem się podczas ruchu pojazdu.  
Pasujące strzemiączka są dostępne jako osprzęt (patrz rozdz. „Akcesoria” na stronie 273).

## 8 Podłączanie eStore

### 8.1 Otwieranie osłony biegunów

- ▶ Odblokować zamek przez lekkie wciśnięcie trzpienia w środku zamka (rys. **3** 1, strona 3).  
Uważać, aby nie wcisnąć go całkowicie.
- ▶ Otworzyć pokrywę osłony (rys. **3** 2, strona 3).
- ▶ Usunąć odblokowany zamek (rys. **3** 3, strona 3).
- ▶ Uwzględnić pozycje zamka (rys. **4**, strona 4):
  - 1: odblokowany
  - 2: gotowy do użycia
  - 3: zablokowany

### 8.2 Zamykanie osłony bieguna

- ▶ Przesunąć z powrotem trzpień zamka.
- ▶ Użyć gotowego do zastosowania zamka (rys. **5** 1, strona 4).
- ▶ Zamknąć pokrywę osłony (rys. **5** 2, strona 4).
- ▶ Zablokować zamek przez lekkie wciśnięcie trzpienia w środku pokrywy osłony (rys. **5** 3, strona 4).  
Uważać, aby nie wcisnąć go całkowicie.

## 8.3 Aktywacja eStore



### WSKAZÓWKA

Akumulator eStore jest dostarczany w trybie magazynowym, który zapobiega samoczynnemu rozładowaniu podczas przechowywania. Przed użyciem eStore należy go zaktywować.

- Otworzyć osłonę biegunów (patrz rozdz. „Otwieranie osłony biegunów” na stronie 278).
- Połączyć biegun dodatni (rys. **2** 1, strona 3) i biegun ujemny (rys. **2** 2, strona 3) z akumulatorem niskonapięciowym 12 V $\equiv$  lub z ładowarką.
- ✓ Dioda LED statusu (rys. **1** 2, strona 3) miga na żółto.
- ✓ Akumulator eStore jest zaktywowany.

## 8.4 Podłączanie kabla przyłączeniowego



### UWAGA!

- Podłączać tylko urządzenia z napięciem znamionowym 12 V $\equiv$ .
- Podczas podłączania urządzeń do akumulatora eStore zwracać uwagę na bieguny. Należy przy tym przestrzegać także właściwej instrukcji obsługi.
- Upewnić się, czy urządzenia, które mają zostać podłączone, są wyłączone.

- Włączyć (otworzyć) wyłącznik główny akumulatora eStore, naciskając na wyłącznik główny (rys. **1** 1, strona 3).
- Otworzyć pokrywę osłony (rozdz. „Otwieranie osłony biegunów” na stronie 278).
- Połączyć kabel dodatni z biegunem dodatnim (rys. **2** 3, strona 3).
- Śrubę bieguna dokręcić momentem 13 - 15 Nm.
- Zamknąć pokrywę osłony (rozdz. „Zamykanie osłony bieguna” na stronie 278).
- Otworzyć pokrywę osłony bieguna ujemnego (rozdz. „Otwieranie osłony biegunów” na stronie 278).
- Połączyć kabel dodatni z biegunem ujemnym (rys. **2** 1, strona 3).
- Śrubę bieguna dokręcić momentem 13 - 15 Nm.

- ▶ Zamknąć pokrywę osłony bieguna ujemnego (rozdz. „Zamykanie osłony bieguna” na stronie 278).
- ▶ Wyłączyć (zamknąć) wyłącznik główny akumulatora eStore, naciskając na wyłącznik główny (rys. **1** 1, strona 3).

## 8.5 Podłączanie odbiorników

- ▶ Wyłączyć wszystkie urządzenia, w szczególności te podłączone do eStore.
- ▶ Włączyć (otworzyć) wyłącznik główny akumulatora eStore, naciskając na wyłącznik główny (rys. **1** 1, strona 3).
- ▶ Podłączyć urządzenie 12 V $\overline{=}$  do akumulatora eStore.
- ▶ Wyłączyć (zamknąć) wyłącznik główny akumulatora eStore, naciskając na wyłącznik główny (rys. **1** 1, strona 3).
- ▶ Włączyć urządzenie 12 V $\overline{=}$ .

## 8.6 Podłączanie kabla danych

W celu przesyłania danych można podłączyć akumulator eStore w następujący sposób:

- do eCore przez magistralę CAN
- do ładowarki PerfectCharge MCA przez magistralę LIN-/CI
- do ładowarki PerfectCharge MCA przez magistralę LIN-/CI przez MPC01

Połączenie danych pozwala na kontrolowanie i wyświetlanie takich parametrów, jak napięcie, temperatura i stan naładowania. Dalsze szczegóły znajdują się w odpowiedniej instrukcji obsługi urządzeń.

- ▶ Ustanowić połączenie danych zgodnie z konfiguracją urządzenia.



## 8.7 Łączenie kilku akumulatorów eStore

Równolegle można połączyć ze sobą maksymalnie osiem akumulatorów eStore, aby zwiększyć łączną pojemność do 800 Ah. Na rysunku przedstawione jest połączenie danych trzech połączonych ze sobą akumulatorów eStore (rys. **6**, strona 4).



### WSKAZÓWKA

- Do połączenia ze sobą kilku akumulatorów eStore potrzebny jest kabel USB i zestaw konfiguracyjny eStore (patrz rozdz. „Akcesoria” na stronie 273).
- Połączone ze sobą akumulatory eStore muszą zostać ustawione za pomocą konfiguratora eStore (rozdz. „Podłączanie kabla magistrali i konfiguracja” na stronie 282). W przypadku używania tylko jednego akumulatora eStore nie trzeba dokonywać żadnych ustawień. eStore jest fabrycznie ustawiony na pracę w trybie jednoakumulatorowym.
- Upewnić się, czy wszystkie akumulatory eStore po zainstalowaniu są całkowicie naładowane.

Pierwszy eStore pełni rolę master. Spełnia ona następujące funkcje:

- Steruje wyłącznikami głównymi innych akumulatorów eStore.
- Łączy ładowarki przez szyny CAN/LIN (rys. **6**, strona 4).

Pozostałe akumulatory eStore są sterowane jako slave przez akumulator master.

## Podłączanie kabla magistrali i konfiguracja

Do konfiguracji potrzebny jest komputer PC i przyłączyć USB oraz konfigurator eStore.

W zależności od sytuacji montażowej sensowne jest skonfigurowanie i oznaczenie akumulatora eStore przed zamontowaniem go w pojeździe.

- Upewnić się, czy akumulator eStore nie znajduje się w trybie ładowania (miga dioda LED statusu).
- Włożyć kabel USB komputera PC w złącze USB (rys. **1** 5, strona 3) pierwszego akumulatora eStore (master).
- Skonfigurować akumulator master, patrz rozdz. „Konfigurowanie połączonych akumulatorów eStore” na stronie 282.
- Umieścić naklejkę ID (rys. **6** 6, strona 4) na akumulatorze master (rys. **6** 1, strona 4).
- Odłączyć kabel USB od akumulatora master.
- Włożyć kabel USB komputera PC w złącze USB pierwszego akumulatora slave.
- Umieścić naklejkę ID (rys. **6** 3, strona 4) na akumulatorze slave (rys. **6** 2, strona 4).
- Ewentualnie skonfigurować pozostałe akumulatory slave.
- Połączyć akumulatory eStore kablami magistrali (rys. **6** 4, strona 4).

## 8.8 Konfigurowanie połączonych akumulatorów eStore

- W razie potrzeby na komputerze PC zainstalować dostępny na płycie CD program ModbusReader z pliku „mbreader\_setup.exe”.
- Z płyty CD skopiować plik „eStore\_Configuration\_utility\_FM739.mbc” na dysk twardy komputera PC.
- Uruchomić plik „eStore\_Configuration\_utility\_FM739.mbc”.
- ✓ Otworzy się konfigurator eStore (rys. **7**, strona 5).
- Naciśnąć **CTRL+F** lub wybrać w menu „Connection” polecenie **Find COM** (rys. **8** 1, strona 5).
- Wybrać nowy numer portu, na przykład COM18 (rys. **8** 2, strona 5).
- Naciśnąć **CTRL+P** lub wybrać w menu „Connection” polecenie **COM Parameters** (rys. **8** 3, strona 5).

- Otworzy się okno **COM Settings**.
- Z listy **Parity** (rys. 8 4, strona 5) wybrać wartość **Even**.
- Kliknąć **OK** (rys. 8 5, strona 5).
- W polu **Pack Address** wpisać numer akumulatora eStore, np. „1” dla master (rys. 9 1, strona 5).
- Naciśnąć "F2" lub w menu „Connection” wybrać polecenie **Connect** (rys. 8 6, strona 5).
- Naciśnąć przycisk Enter.
- W polu **Total Pack Number** wpisać ilość wszystkich akumulatorów eStore, np. „3”, gdy mają zostać podłączone łącznie trzy urządzenia (rys. 9 2, strona 5).
- Naciśnąć przycisk Enter.
- W polu **Parallel Pack Number** wpisać ilość wszystkich akumulatorów eStore, np. „3”, gdy mają zostać podłączone łącznie trzy urządzenia (rys. 9 3, strona 5).  
**Wskazówka:** Wartości Total Pack Number i Parallel Pack Number muszą być identyczne.
- Naciśnąć przycisk Enter.
- Wpisać hasło **3331** (rys. 9 4, strona 5).
- Naciśnąć przycisk Enter.
- Nakleić naklejkę z ID (rys. 9 5, strona 5).  
**Wskazówka:** Numer ostatniego akumulatora eStore musi być identyczny z łączną liczbą akumulatorów eStore.

## 9 Przed pierwszym użyciem



### WSKAZÓWKA

Upewnij się, czy po zainstalowaniu jeden lub ew. więcej akumulatorów eStore jest kompletnie naładowanych, ponieważ rozładowanie może spowodować uszkodzenia.

## 10 Korzystanie z eStore



### UWAGA!

Nie zostawiać akumulatora eStore w rozładowanym stanie. Gdy z powodu nadmiernego rozładowania nastąpi otwarcie wyłącznika głównego, należy możliwie najszybciej naładować eStore (maks. w ciągu 5 dni). W przeciwnym razie eStore przełączy się w tryb magazynowy i może ulec uszkodzeniu.



### WSKAZÓWKA

Aby wydłużyć żywotność akumulatora eStore, należy przestrzegać poniższych zasad:

- Unikać sytuacji, w których wyłącznik główny zostaje otwarty na skutek głębokiego rozładowania (patrz rozdz. „Napięcia robocze i wyłącznik główny” na stronie 285).
- Podczas ładowania lub przechowywania unikać ekstremalnie wysokich lub niskich temperatur.
- Unikać długotrwałego wysokiego rozładowania (> 200 A).

## 10.1 Napięcia robocze i wyłącznik główny

System zarządzania akumulatorami eStore (BMS) analizuje stan każdego pojedynczego ogniwa akumulatora, w celu stwierdzenia, kiedy akumulator ma być chroniony przez otwarcie wyłącznika głównego.

Wyłącznik główny pracuje w następujący sposób:

Stan eStore	Zachowanie wyłącznika głównego
Rozładowanie	<p>&lt; 30 A, 11 – 12 V: Wyłącznik główny otwiera się</p> <p>&gt; 30 A, 10 – 11,8 V: main switch otwiera się</p> <p>To są wartości orientacyjne. Napięcie otwierania wyłącznika głównego zależy od wewnętrznych parametrów, takich jak napięcie i temperatura ogniw oraz prąd wyładowania. Podane wartości prądu dotyczą pojedynczego akumulatora eStore.</p>
Ładowanie	<p>Napięcie otwierania wyłącznika głównego zależy od wewnętrznych parametrów, takich jak napięcie i temperatura ogniw oraz prąd ładowania. Maksymalne napięcie, przed otwarciem wyłącznika głównego, wynosi 15,2 V. Ładowanie z zalecanymi parametrami w normalnym trybie zapewnia, że wyłącznik główny pozostanie zamknięty.</p> <p>Patrz rozdz. „Ładowanie eStore” na stronie 286 dla zalecanych parametrów ładowania.</p>

## 10.2 Ładowanie eStore



### UWAGA!

eStore można ładować takimi ładowarkami, jak eCore lub PerfectCharge MCA (wybrać tryb Power; patrz instrukcja obsługi ładowarki dla odpowiedniego położenia przełącznika DIP). Wolno stosować ładowarki innych producentów. W normalnych warunkach wyłącznik główny pozostaje zamknięty podczas ładowania, gdy spełnione są następujące parametry ładowania.

- Napięcie końcowe ładowania: pomiędzy 13,8 V a 14,0 V
- Maksymalna moc wyjściowa: 40 A na podłączony eStore (zalecane 30 A)



### WSKAZÓWKA

Przestrzegać także instrukcji obsługi używanej ładowarki.

## 10.3 Wymiana bezpiecznika



### WSKAZÓWKA

Zastosować maksymalnie bezpiecznik o wartości 250 A z odstępem między otworami 50,8 mm.

W celu wymiany bezpiecznika wykonać następujące czynności:

- ▶ Otworzyć osłonę bieguna dodatniego (rozdz. „Otwieranie osłony biegunów” na stronie 278).
- ▶ Usunąć nakrętki i podkładki bezpiecznika (rys. **10** 1, strona 6).
- ▶ Wymienić bezpiecznik (rys. **10** 2, strona 6).
- ▶ Zamocować nowy bezpiecznik za pomocą nakrętek i podkładek (rys. **10** 1, strona 6). Dociągnąć nakrętki momentem 13 – 15 Nm.
- ▶ Zamknąć pokrywę osłony bieguna dodatniego (rozdz. „Zamykanie osłony bieguna” na stronie 278).

## 10.4 Przechowywanie eStore



### WSKAZÓWKA

- eStore przechowywać w chłodnym i suchym miejscu.
- Unikać przechowywania w trwale wysokich temperaturach. To powoduje skrócenie ich żywotności.
- Ładować akumulator eStore co 3 miesiące.
- W przypadku dłuższego przechowywania (np. w okresie przerwy zimowej):
  - Usunąć wszystkie odbiorniki.
  - Naładować eStore.
  - Otworzyć wyłącznik główny.

To zapobiegnie nadmiernemu rozładowaniu i uszkodzeniu eStore.

## 11 Czyszczenie eStore



### UWAGA!

Do czyszczenia nie należy używać ostrych i twardych środków czyszczących; mogą one uszkodzić produkt.

- Od czasu do czasu należy czyścić produkt wilgotną ściereczką.

## 12 Usuwanie usterek

Usterka	Przyczyna	Usuwanie
Brak napięcia na zaciskach akumulatora.	Wyłącznik główny jest wyłączony (otwarty).	▶ Włączyć (zamknąć) wyłącznik główny.
	Bezpiecznik jest uszkodzony.	▶ Wymienić bezpiecznik (patrz rozdz. „Wymiana bezpiecznika” na stronie 286).
	eStore w trybie ładowania.	▶ Zaktywować eStore.
	Akumulator eStore nie jest prawidłowo skonfigurowany.	▶ Skonfigurować eStore.
	Akumulator eStore jest głęboko rozładowany.	▶ Naładować eStore prądem ładowania < 10 A. <b>Wskazówka:</b> Nie stosować inteligentnych systemów ładowania (z włączonym wyłącznikiem głównym na zaciskach nie występuje żadne napięcie. Inteligentne ładowarki akumulatorów nie uruchamiają się przy braku napięcia). ▶ Zwrócić się do autoryzowanego sprzedawcy.
	Akumulator eStore jest uszkodzony.	▶ Zwrócić się do autoryzowanego sprzedawcy.
Nie miga dioda LED statusu.	eStore w trybie ładowania.	▶ Zaktywować eStore.
	Akumulator eStore jest głęboko rozładowany.	▶ Naładować eStore prądem ładowania < 10 A. <b>Wskazówka:</b> Nie stosować inteligentnych systemów ładowania (z włączonym wyłącznikiem głównym na zaciskach nie występuje żadne napięcie. Inteligentne ładowarki akumulatorów nie uruchamiają się przy braku napięcia). ▶ Zwrócić się do autoryzowanego sprzedawcy.
	Akumulator eStore jest uszkodzony.	▶ Zwrócić się do autoryzowanego sprzedawcy.



Usterka	Przyczyna	Usuwanie
Dioda LED statusu miga na czerwono.	Akumulator eStore jest skonfigurowany do podłączenia kilku akumulatorów eStore, a kabel magistrali nie jest wetknięty.	➤ Wetknąć kabel magistrali.
	Akumulator eStore jest głęboko rozładowany.	➤ Naładować akumulator eStore.
	Akumulator eStore jest nadmiernie naładowany.	➤ Odłączyć ładowarkę od akumulatora eStore. ➤ Sprawdzić napięcie ładowania ładowarki akumulatora.
	Akumulator eStore jest uszkodzony.	➤ Zwrócić się do autoryzowanego sprzedawcy.
Akumulator eStore nie reaguje na włączenie wyłącznika głównego.	eStore w trybie ładowania.	➤ Zaktywować eStore.
	Akumulator eStore jest głęboko rozładowany.	➤ Naładować eStore prądem ładowania < 10 A. <b>Wskazówka:</b> Nie stosować inteligentnych systemów ładowania (z włączonym wyłącznikiem głównym na zaciskach nie występuje żadne napięcie. Inteligentne ładowarki akumulatorów nie uruchamiają się przy braku napięcia). ➤ Zwrócić się do autoryzowanego sprzedawcy.
	Akumulator eStore jest skonfigurowany jako slave, a nie jako master.	➤ Zastosować wyłącznik główny akumulatora eStore master (eStore skonfigurowany jako #1)
	Konfiguracja do podłączenia kilku akumulatorów eStore jest nieprawidłowa.	➤ Sprawdzić konfigurację.
	Akumulator eStore jest uszkodzony.	➤ Zwrócić się do autoryzowanego sprzedawcy.

<b>Usterka</b>	<b>Przyczyna</b>	<b>Usuwanie</b>
Wyłącznik główny włącza się (zamyka się) i natychmiast ponownie wyłącza (otwiera).	Akumulator eStore jest głęboko rozładowany.	➤ Naładować akumulator eStore.
	Akumulator eStore jest nadmier- nie naładowany.	➤ Odłączyć ładowarkę od akumu- latora eStore. ➤ Sprawdzić napięcie ładowania ładowarki akumulatora.
	Prąd ładowania jest za wysoki.	➤ Zmniejszyć prąd ładowania.
	Prąd rozładowania jest za wysoki.	➤ Zmniejszyć obciążenie. ➤ Sprawdzić temperaturę akumu- latora eStore. ➤ Naładować akumulator eStore.
	Akumulator eStore jest uszko- dzony.	➤ Zwrócić się do autoryzowanego sprzedawcy.
Na panelu sterowania akumulatora eStore pojawia się komunikat „Warning eStore”.	Za niska temperatura akumulatora eStore.	➤ Sprawdzić diodę LED statusu ładowarki. ➤ Sprawdzić temperaturę akumulatora eStore. ➤ Ogrzać otoczenie.
	Za wysoka temperatura akumulatora eStore.	➤ Sprawdzić diodę LED statusu ładowarki. ➤ Sprawdzić temperaturę akumulatora eStore. ➤ Schłodzić otoczenie.

## 13 Gwarancja

Warunki gwarancji zostały opisane w Karcie Gwarancyjnej dołączonej do produktu.

W celu naprawy lub rozpatrzenia gwarancji konieczne jest przesłanie:

- kopii rachunku z datą zakupu,
- informacji o przyczynie reklamacji lub opisu wady.

## 14 Utylizacja

- Opakowanie należy wyrzucić do odpowiedniego pojemnika na śmieci do recyklingu.



Jeżeli produkt nie będzie dłużej eksploatowany, koniecznie dowiedz się w najbliższym zakładzie recyklingu lub w specjalistycznym sklepie, jakie są aktualnie obowiązujące przepisy dotyczące utylizacji.



### Chroń środowisko naturalne!

Akumulatory i baterie nie zaliczają się do odpadów domowych. Uszkodzone akumulatory lub zużyte baterie należy przekazać do punktu sprzedaży lub punktu przyjmującego surowce wtórne.

## 15 Dane techniczne

	eStore
Nr art.:	9102900224
Napięcie znamionowe:	13,2 V <sup>---</sup>
Zakres temperatury roboczej (w przypadku rozładowania):	-30 °C (ze zredukowaną wydajnością) do +55 °C
Zakres temperatury dla ładowania z eCore: ze zintegrowanymi ładowarkami:	od -10 °C do +55 °C od 0 °C do +40 °C
Pojemność znamionowa:	100 Ah
Wymiary D x S x W:	315 x 160 x 285 mm
Waga:	17 kg
Kontrola/certyfikat:	<b>CE</b>
	IEC 62133 UN 38.3 UN 3480

**Pred montážou a uvedením do prevádzky si prosím pozorne prečítajte tento návod a odložte si ho. V prípade odovzdania výrobku ďalšiemu používateľovi mu odovzdajte aj tento návod.**

## Obsah

1	Vysvetlenie symbolov . . . . .	293
2	Všeobecné bezpečnostné upozornenia . . . . .	294
3	Rozsah dodávky . . . . .	295
4	Príslušenstvo . . . . .	296
5	Použitie podľa určenia . . . . .	297
6	Technický popis . . . . .	298
7	Upevnenie eStore . . . . .	300
8	Pripojenie eStore. . . . .	301
9	Pred prvým použitím . . . . .	305
10	Použitie eStore . . . . .	306
11	Čistenie batérie eStore . . . . .	308
12	Odstraňovanie porúch . . . . .	309
13	Záruka . . . . .	312
14	Likvidácia . . . . .	312
15	Technické údaje . . . . .	313

# 1 Vysvetlenie symbolov

**NEBZPEČENSTVO!**

**Bezpečnostný pokyn:** Nerešpektovanie vedie k smrti alebo k ťažkému zraneniu.

**VÝSTRAHA!**

**Bezpečnostný pokyn:** Nerešpektovanie môže viesť k smrti alebo k ťažkému zraneniu.

**UPOZORNENIE!**

**Bezpečnostný pokyn:** Nerešpektovanie môže viesť k zraneniam.

**POZOR!**

Nerešpektovanie môže viesť k materiálnym škodám a môže ovplyvniť funkciu zariadenia.

**POZNÁMKA**

Doplňujúce informácie k obsluhu výrobku.

## 2 Všeobecné bezpečnostné upozornenia

Výrobca v nasledujúcich prípadoch nepreberá žiadnu záruku za škody:

- Poškodenia produktu mechanickými vplyvmi a prepätiami a nadmerným prúdom
- Zmeny produktu bez výslovného povolenia výrobcu
- Použitie na iné účely ako sú uvedené v návode

Pri používaní elektrických spotrebičov rešpektujte nasledujúce základné bezpečnostné upozornenia, aby bola zaručená ochrana pred:

- zásahom elektrickým prúdom,
- nebezpečím požiaru,
- zraneniami.

### 2.1 Základná bezpečnosť



#### NEBZPEČENSTVO!

- V prípade požiaru použite hasiaci prístroj, ktorý je vhodný na hasenie elektrických zariadení.



#### VÝSTRAHA!

- Keď prístroj alebo pripojovací kábel vykazuje viditeľné poškodenia, nesmiete prístroj uvádzať do prevádzky.
- Opravy tohto prístroja smú vykonávať len odborníci. Neodbornými opravami môžu vzniknúť vážne ohrozenia.
- Osoby (vrátane detí), ktoré z dôvodu ich fyzických, zmyslových či duševných schopností alebo ich neskúsenosti či neznalosti nie sú schopné prístroj bezpečne používať, nemajú používať tento prístroj bez dozoru alebo poučenia od zodpovednej osoby.
- **Elektrické zariadenia nie sú detské hračky!**  
Prístroj skladujte a používajte mimo dosahu detí.
- Deti by nemali zostávať bez dozoru, aby bolo isté, že sa s prístrojom, nebudú hrať.

**POZOR!**

- Pred uvedením do prevádzky porovnajte údaje o napätí na typovom štítku s dostupným napájaním.
- Dbajte na to, aby predmety **nespôsobovali** skrat na kontaktoch prístroja.
- Dbajte na to, aby sa nikdy vzájomne nedotýkali kladná a záporná svorka.
- Ak sa musia vedenia viesť cez steny s ostrými hranami, použite duté potrubia príp. priechodky určené pre vedenia.
- Neukladajte žiadne obnažené alebo zalomené vedenia na elektricky vodivé materiály (kov).

## 2.2 Bezpečnosť pri prevádzke prístroja

**NEBZPEČENSTVO! Nebezpečenstvo ohrozenia života elektrickým prúdom!**

- Nikdy sa nedotýkajte holými rukami obnažených vedení. To platí najmä pre prístroje na striedavý prúd.

**VÝSTRAHA!**

- Prístroj používajte výlučne v uzatvorených, dobre vetraných priestoroch.

**UPOZORNENIE!**

- Prístroj **neprevádzkujte**
  - v slanom, vlhkom alebo mokrom prostredí
  - v blízkosti agresívnych výparov
  - v blízkosti horľavých materiálov
  - v oblastiach ohrozených výbuchom
- Neťahajte za vodiče.

## 3 Rozsah dodávky

- eStore batéria
- Návod na montáž a návod na obsluhu

## 4 Príslušenstvo

K dispozícii ako príslušenstvo a náhradné diely (nie je súčasťou dodávky):

Označenie dielov	Tovarové číslo
Súprava kábla eStore-BUS RJ11 a eStore ID nálepka Na prepojenie medzi viacerými eStore, keď sa bude používať eStore-Bus	9102900279
Konfiguračná súprava eStore USB kábel a dátové CD Na zriadenie viacerých eStore – len inštalátor	9102900281
Súprava kábla eStore-eCore-BUS CAT5-LAN kábel, RJ45 Na prepojenie medzi eStore a eCore	9102900280
eStore-MPC01-BUS kábel Na prepojenie medzi eStore a MPC01	9102200197
eStore-MCA-BUS kábel Na prepojenie medzi eStore a MCA nabíjačkami, keď sa nebude používať žiadne MPC01	9103530048
Náhradná poistka 250 A Výrobná séria Littelfuse Mega, vzdialenosť otvorov 50,8 mm	9102900282
Súprava spôn eStore – zvislé Na zvislú montáž eStore	9102900289
Súprava spôn eStore – vodorovne Na vodorovnú montáž eStore	9102900290



## 5 Použitie podľa určenia

eStore slúži ako zdroj napätia 12 V v elektrických zdrojoch obytných vozidiel, karavanov, úžitkových vozidiel a statických aplikácií. eCore sa nesmie používať na medicínske účely.

V spojení so striedačom, napr. eCore, sa môžu napájať aj prístroje na 230 V $\sim$ .

Použitie ako štartovacia batéria nie je možné. eStore sa nesmie prepájať priamo so štartovacou batériou. Paralelným zapojením viacerých batérií eStore môže dostupný prúd postačovať na podporu štartovacej batérie. Až osem eStore môže byť zapojených paralelne, aby sa nainštalovaná celková kapacita zvýšila až na 800 Ah.

eStore môžete prepravovať pomocou zabudovaných rukovätí.

## 6 Technický popis

### 6.1 Všeobecný popis

eStore je bezúdržbová lítium-iónová batéria pre napájanie 12 V<sup>DC</sup> systémov. eStore disponuje interným hlavným spínačom a internou 250 A poistkou.

V spojení so systémom riadenia batérie ponúka eStore nasledujúce funkcie:

- Kontrola buniek batérie
- Kontrola napätia batérie
- Kontrola teploty buniek batérie integrovaným teplotným snímačom
- Komunikácia medzi viacerými eStore batériami

eStore sa môže nabíjať nabíjačkami ako eCore alebo PerfectCharge série MCA. Použitie nabíjačiek od iných výrobcov je prípustné. Na zaistenie, že interný hlavný spínač zostane počas nabíjania za normálnych okolností zatvorený, mala by nabíjačka spĺňať nasledujúce požiadavky.

1. Koncové nabíjacie napätie: medzi 13,8 V a 14,0 V
2. Maximálny výstupný výkon: 40 A na jednu pripojenú batériu eStore (30 A odporúčané)

Na zvýšenie celkovej kapacity môžete paralelne zapojiť až 8 batérií eStore. Spoločný maximálny výstupný prúd nesmie prekročiť 250 A.



#### **POZNÁMKA**

Jedna batéria eStore môže krátkodobo dodávať prúd 250 A. Trvalý dodávaný prúd by nemal prekročiť 200 A. Trvalý vybíjací prúd viac ako 200 A z jednej batérie eStore môže viesť ku kratšej životnosti. Ak potrebujete trvalý prúd vyšší ako 200 A, použite dve alebo viaceré batérie eStore.

## 6.2 Zobrazovacie a ovládacie prvky

Poz. v obr. 1, strane 3	Označenie	Vysvetlenie
1	Hlavný spínač	aktivuje (zatvára) a deaktivuje (otvára) interný hlavný spínač
2	LED stavu	vyp.: Systém správy batérie je odpojený kvôli aktivovanému režimu nabíjania alebo nadmernému vybitiu. bliká zelenou farbou: systém riadenia batérie aktívny, hlavný spínač je aktivovaný alebo zapnutý (zatvorený) bliká žltou farbou: systém riadenia batérie aktívny, hlavný spínač je deaktivovaný alebo vypnutý (zatvorený) bliká červenou farbou: funkčná porucha
3	eStore rozhranie zbernice	
4	LIN rozhranie pre pripojenie k nabíjačkám PerfectCharge MCA a MPC01	
5	USB rozhranie pre konfiguráciu	
6	Rozhranie zbernice CAN-Bus	

## 6.3 Poistka a pripojenia

Poz. v obr. 2, strane 3	Označenie	Vysvetlenie
1	Záporný pól	Svorka M8 pre nabíjačky a spotrebiče
2	Interná poistka	250 A – Upevňovacie otvory so štandardným rozstupom otvorov 50,8 mm
3	Kladný pól	Svorka M8 pre nabíjačky a spotrebiče

## 7 Upevnenie eStore



### VÝSTRAHA!

eStore sa nesmie zaistovať pásmi a pod. cez plastový kryt, pretože to poškodí batériu eStore.



### POZNÁMKA

Pri použití viacerých spojených batérií eStore rešpektujte: Nakonfigurujte a označte batérie eStores pred montážou do vozidla, pozri kap. „Spojenie viacerých batérií eStore“ na strane 303.

### Rešpektujte nasledujúce upozornenia týkajúce sa miesta montáže

- eStore môže byť namontované zvislo (obr. **11**, strane 6) alebo vodorovne (obr. **12**, strane 7) na rovnej a stabilnej ploche.
  - eStore sa nesmie montovať do blízkosti horľavých materiálov.
  - Miesto montáže musí byť chránené pred vlhkosťou a prachom.
  - Ponechajte minimálne 2 cm voľného miesta okolo eStore a postarajte sa o dobré odvetranie. Zabudovanie by malo zabrániť veľmi nízkym teplotám v zimnej prevádzke (nabíjanie), aby bola zaručená trvalá prevádzka.
  - Z bezpečnostných dôvodov dbajte pri montáži (pri vítaní a skrútkovaní atď.) na uloženie už dostupných, najmä neviditeľných káblových zväzkov, vedení a iných komponentov, ktoré sa nachádzajú v montážnej oblasti!
  - Keď inštalujete viac ako jednu batériu eStore, ponechajte minimálne 1 cm medzi batériami eStores.
- Vyberte vhodné miesto montáže a batériu eStore tam bezpečne upevnite.
- **Zvislá montáž:** Použite integrované upevňovacie nôžky (obr. **11**, strane 6). Vhodné upevňovacie spony sú dostupné ako príslušenstvo (pozri kap. „Príslušenstvo“ na strane 296).
- **Vodorovná montáž:** Zaistite eStore dvomi popruhmi alebo pásmi vedúcimi cez prístroj (obr. **12**, strane 7). Tieto prevedte medzi uchyteniami a upevňovacími nôžkami a upevnite ich na montážnej ploche. Tým sa zaistí, že sa eStore nebude pohybovať, keď sa vozidlo uvedie do pohybu. Vhodné upevňovacie spony sú dostupné ako príslušenstvo (pozri kap. „Príslušenstvo“ na strane 296).

## 8 Pripojenie eStore

### 8.1 Otvorenie krytu pólov

- ▶ Odblokujte uzáver tak, že kolík v strede uzáveru mierne zatlačíte nadol (obr. **3** 1, strane 3).  
Dbajte na to, aby ste ho úplne nepretlačili.
- ▶ Otvorte kryt (obr. **3** 2, strane 3).
- ▶ Odstráňte odblokovaný uzáver (obr. **3** 3, strane 3).
- ▶ Rešpektujte pozície uzáveru (obr. **4**, strane 4):
  - 1: odblokované
  - 2: pripravené na použitie
  - 3: zablokované

### 8.2 Zatvorenie krytu pólov

- ▶ Kolík uzáveru posuňte späť.
- ▶ Vložte uzáver pripravený na použitie (obr. **5** 1, strane 4).
- ▶ Zatvorte kryt (obr. **5** 2, strane 4).
- ▶ Zablokujte uzáver tak, že kolík v strede krytu mierne zatlačíte nadol (obr. **5** 3, strane 4).  
Dbajte na to, aby ste ho úplne nepretlačili.

### 8.3 Aktivovanie eStore



#### POZNÁMKA

eStore sa dodáva v skladovacom režime, ktorý znižuje mieru samovybíjania počas skladovania. Aby ste batériu eStore mohli používať, musíte ju aktivovať.

- ▶ Otvorte kryt pólov (pozri kap. „Otvorenie krytu pólov“ na strane 301).
- ▶ Spojte kladný pól (obr. **2** 1, strane 3) a záporný pól (obr. **2** 2, strane 3) s 12 V $\frac{2}{3}$  batériou s nízkym prúdom alebo s nabíjačkou.
- ✓ LED stavu (obr. **1** 2, strane 3) bliká žltou farbou.
- ✓ Batéria eStore je aktivovaná.

## 8.4 Pripojenie pripojovacieho kábla



### POZOR!

- Pripájajte len prístroje s menovitým napätím 12 V $\equiv$ .
- Dbajte na správnu polaritu, keď pripájate prístroje k batérii eStore. Pritom rešpektujte aj príslušný návod na obsluhu.
- Uistite sa, že sú prístroje, ktoré chcete pripojiť, vypnuté.

- Zapnite (otvorte) hlavný spínač batérie eStore tak, že hlavný spínač stlačíte (obr. **1** 1, strane 3).
- Otvorte kryt (kap. „Otvorenie krytu pólov“ na strane 301).
- Pripojte kladný kábel s kladným pólom (obr. **2** 3, strane 3).
- Skrutku pólu dotiahnite doťahovacím momentom 13 – 15 Nm.
- Zatvorte kryt (kap. „Zatvorenie krytu pólov“ na strane 301).
- Otvorte kryt záporného pólu (kap. „Otvorenie krytu pólov“ na strane 301).
- Pripojte záporný kábel so záporným pólom (obr. **2** 1, strane 3).
- Skrutku pólu dotiahnite doťahovacím momentom 13 – 15 Nm.
- Zatvorte kryt záporného pólu (kap. „Zatvorenie krytu pólov“ na strane 301).
- Vypnite (zatvorte) hlavný spínač batérie eStore tak, že hlavný spínač stlačíte (obr. **1** 1, strane 3).

## 8.5 Pripojenie spotrebiča

- Vypnite všetky prístroje, najmä tie, ktoré sú spojené s batériou eStore.
- Zapnite (otvorte) hlavný spínač batérie eStore tak, že hlavný spínač stlačíte (obr. **1** 1, strane 3).
- Pripojte 12 V $\equiv$  prístroj k batérii eStore.
- Vypnite (zatvorte) hlavný spínač batérie eStore tak, že hlavný spínač stlačíte (obr. **1** 1, strane 3).
- Zapnite 12 V $\equiv$  prístroj.

## 8.6 Pripojenie dátového kábla

eStore môžete za účelom dátovej komunikácie pripojiť nasledovne:

- k eCore prostredníctvom zbernice CAN-Bus
- k nabíjačke PerfectCharge MCA prostredníctvom LIN-/CI-Bus
- k nabíjačke PerfectCharge MCA prostredníctvom LIN-/CI-Bus prostredníctvom MPC01

Prostredníctvom dátového spojenia môžete kontrolovať a zobraziť parametre ako napätie, teplotu a stav nabitia. Ďalšie detaily nájdete v príslušných návodoch na obsluhu prístrojov.

► Vytvorte dátové spojenie podľa konfigurácie vášho prístroja.

## 8.7 Spojenie viacerých batérií eStore

Paralelne navzájom prepojiť sa dá až osem eStore batérií, aby sa celková kapacita zvýšila až na 800 Ah. Obrázok zobrazuje dátové spojenie troch spojených batérií eStore (obr. **6**, strane 4).



### POZNÁMKA

- Na vzájomné prepojenie viacerých batérií eStore potrebujete minimálne jeden zbernicový kábel a konfiguračnú súpravu eStore (pozri kap. „Príslušenstvo“ na strane 296).
- Navzájom spojené batérie eStore sa musia nastaviť pomocou eStore konfigurátora (kap. „Pripojenie zbernicového kábla a konfigurácia“ na strane 304). Keď používate len jednu batériu eStore, nemusíte nič nastavovať. eStore je z výroby nastavená na použitie ako samostatná batéria.
- Uistite sa, že sú všetky batérie eStore po inštalácii úplne nabité.

Prvá batéria eStore slúži ako hlavná. Spíňa nasledujúce funkcie:

- Riadi hlavný spínač iných batérií eStore (obr. **6**, strane 4).
- Pripája nabíjačky prostredníctvom CAN/LIN.

Zvyšné batérie eStore sú riadené hlavnou batériou ako podriadené batérie.

## Pripojenie zbernicového kábla a konfigurácia

Na konfiguráciu potrebujete PC s USB pripojením a eStore konfigurátor.

Vždy podľa montážnych situácií je zmysluplné, aby ste batérie eStore pred montážou do vozidla nakonfigurovali a označili.

- Uistite sa, že eStore sa nenachádza v ukladacom režime (LED stavu bliká).
- Pripojte USB kábel z PC do USB rozhrania (obr. **1** 5, strane 3) prvej batérie eStore (hlavná).
- Nakonfigurujte hlavnú batériu, pozri kap. „Konfigurácia spojených batérií eStore“ na strane 304.
- Osadte ID nálepku (obr. **6** 6, strane 4) na hlavnú batériu (obr. **6** 1, strane 4).
- Odpojte USB kábel z hlavnej batérie.
- Pripojte USB kábel z PC do USB rozhrania prvej podriadenej batérie.
- Osadte ID nálepku (obr. **6** 3, strane 4) na podriadenú batériu (obr. **6** 2, strane 4).
- V prípade potreby nakonfigurujte zvyšné podriadené batérie.
- Spojte batérie eStores zbernicovými káblami (obr. **6** 4, strane 4).

## 8.8 Konfigurácia spojených batérií eStore

- V prípade potreby nainštalujte program ModbusReader „mbreader\_setup.exe“ z údajového CD na PC.
- Skopírujte súbor „eStore\_Configuration\_utility\_FM739.mbc“ z údajového CD na pevný disk PC.
- Otvorte súbor „eStore\_Configuration\_utility\_FM739.mbc“.
- ✓ Otvorí sa konfigurátor eStore (obr. **7**, strane 5).
- Stlačte **CTRL + F** alebo zvolte v menu „Connection“ pokyn **Find COM** (obr. **8** 1, strane 5).
- Vyberte nové číslo portu, v príklade COM18 (obr. **8** 2, strane 5).
- Stlačte **CTRL + P** alebo zvolte v menu „Connection“ **COM Parameters** (obr. **8** 3, strane 5).
- Otvorí sa okno **COM Settings**.
- Z výberového zoznamu **Parity** (obr. **8** 4, strane 5) zvolte hodnotu **Even**.



- Kliknite na **OK** (obr. **8** 5, strane 5).
- Do poľa **Pack Address** zadajte číslo batérie eStore, napr. „1“ pre hlavnú batériu (obr. **9** 1, strane 5).
- Stlačte "F2" alebo zvolte v menu „Connection“ príkaz **Connect** (obr. **8** 6, strane 5).
- Stlačte tlačidlo Enter.
- Do poľa **Total Pack Number** zadajte počet všetkých batérií eStore, napr. „3“, keď chcete pripojiť celkovo tri prístroje (obr. **9** 2, strane 5).
- Stlačte tlačidlo Enter.
- Do poľa **Parallel Pack Number** zadajte počet všetkých batérií eStore, napr. „3“, keď chcete pripojiť celkovo tri prístroje (obr. **9** 3, strane 5).  
**Upozornenie:** Položky Total Pack Number a Parallel Pack Number musia byť identické.
- Stlačte tlačidlo Enter.
- Zadajte heslo **3331** (obr. **9** 4, strane 5).
- Stlačte tlačidlo Enter.
- Osadte ID nálepku (obr. **9** 5, strane 5).  
**Upozornenie:** Číslo poslednej batérie eStore musí byť identické s celkovým počtom batérií eStore.

## 9 Pred prvým použitím



### POZNÁMKA

Uistite sa, že jednotlivé alebo viaceré batérie eStore sú po inštalácii úplne nabité, pretože vybitie by inak spôsobilo škody.

## 10 Použitie eStore



### POZOR!

eStore nenechávajte vo vybitom stave.

Ak sa hlavný spínač kvôli nadmernému vybitiu otvorí, eStore čo možno najrýchlejšie opäť nabíe (maximálne 5 dní). V opačnom prípade sa eStore prepne do režimu skladovania a môže sa poškodiť.



### POZNÁMKA

Rešpektujte nasledujúce upozornenia, aby ste predĺžili životnosť batérie eStore.

- Zabráňte tak hlbokému vybitiu, aby sa otvoril hlavný spínač (pozri kap. „Prevádzkové napätia a hlavný spínač“ na strane 306).
- Počas procesu nabíjania alebo skladovania zabráňte extrémne vysokým alebo nízkym teplotám.
- Zabráňte trvalému vybitiu (> 200 A).

### 10.1 Prevádzkové napätia a hlavný spínač

System správy batérie eStore (BMS) hodnotí stav každého jedného článku batérie, aby sa zistilo, kedy treba batériu chrániť otvorením hlavného spínača.

Hlavný spínač pracuje nasledovne:

Stav eStore	Správanie hlavného spínača
Vybitie	<p>&lt; 30 A, 11 – 12 V: Hlavný spínač sa otvorí</p> <p>&gt; 30 A, 10 – 11,8 V: hlavný spínač sa otvorí</p> <p>Ide o smerné hodnoty a sú uvedené len orientačne. Otváracie napätie hlavného spínača závisí od interných parametrov ako napätie článku a teplota článku, ako aj od vybijacieho prúdu. Uvedené prúdové hodnoty platia na jednotlivý eStore.</p>
Nabíjanie	<p>Otváracie napätie hlavného spínača závisí od interných parametrov ako napätie článku a teplota článku, ako aj od nabíjacieho prúdu. Maximálne napätie pred otvorením hlavného spínača činí 15,2 V. Nabíjanie s odporúčanými parametrami nabíjania v normálnej prevádzke zaručuje, že hlavný spínač zostane zatvorený.</p> <p>Pozri kap. „Nabíjanie batérie eStore“ na strane 307 pre odporúčané parametre nabíjania.</p>

## 10.2 Nabíjanie batérie eStore



### POZOR!

eStore je možné nabíjať nabíjačkami ako eCore alebo PerfectCharge MCA (zvoľte režim Power Mode; pozri návod na obsluhu nabíjačky pre príslušnú polohu DIP spínača). Použitie nabíjačiek od iných výrobcov je prípustné. Hlavný spínač zostane pri nabíjaní za normálnych podmienok zatvorený, keď sú splnené nasledujúce parametre nabíjania:

- Koncové nabíjacie napätie: medzi 13,8 V a 14,0 V
- Maximálny výstupný výkon: 40 A na jednu pripojenú batériu eStore (30 A odporúčané)



### POZNÁMKA

Rešpektujte aj návod na obsluhu použitej nabíjačky.

## 10.3 Výmena poistky



### POZNÁMKA

Použite maximálne jednu 250 A poistku s rozstupom otvorov 50,8 mm.

Pre výmenu poistky postupujte nasledovne:

- ▶ Otvorte kryt kladného pólu (kap. „Otvorenie krytu pólov“ na strane 301).
- ▶ Odstráňte matice a podložky poistky (obr. **10** 1, strane 6).
- ▶ Vymeňte poistku (obr. **10** 2, strane 6).
- ▶ Upevnite novú poistku maticami a podložkami (obr. **10** 1, strane 6). Matice dotiahnite doťahovacím momentom medzi 13 a 15 Nm.
- ▶ Zatvorte kryt kladného pólu (kap. „Zatvorenie krytu pólov“ na strane 301).

## 10.4 Skladovanie batérie eStore



### POZNÁMKA

- eStore skladujte na chladnom, suchom mieste.
- Neskladujte pri trvalo vysokých teplotách. Skracuje to životnosť.
- eStore nabíjajte každé 3 mesiace.
- Pre dlhšie skladovanie (napr. zazimovanie vozidla):
  - Odstráňte všetky spotrebiče.
  - Nabite eStore.
  - Otvorte hlavný spínač.

Zabraňujte to nadmernému vybitiu a poškodeniu eStore.

## 11 Čistenie batérie eStore



### POZOR!

Na čistenie nepoužívajte ostré alebo tvrdé predmety, pretože by mohli poškodiť výrobok.

- Výrobok príležitostne vyčistite mierne navlhčenou handričkou.

## 12 Odstraňovanie porúch

Porucha	Príčina	Odstránenie
Na svorkách batérie nie je napätie.	Hlavný spínač je vypnutý (otvorený).	➤ Zapnite (zatvorte) hlavný spínač.
	Poistka je chybná.	➤ Vymeňte poistku (pozri kap. „Výmena poistky“ na strane 307).
	Batéria eStore je v ukladačom režime.	➤ Aktivujte batériu eStore.
	Batéria eStore nie je správne nakonfigurovaná.	➤ Nakonfigurujte batériu eStore.
	Batéria eStore je úplne vybitá.	➤ Nabite batériu eStore nabíjacím prúdom < 10 A. <b>Upozornenie:</b> Nepoužívajte žiadne inteligentné nabíjacie systémy (po zapnutí hlavného spínača nie je na svorkách žiadne napätie. Inteligentné nabíjačky batérie sa nespustia, keď nie je dostupné žiadne napätie). ➤ Obráťte sa na autorizovaného odborného predajcu
Batéria eStore je chybná.	➤ Obráťte sa na autorizovaného odborného predajcu.	

Porucha	Príčina	Odstránenie
LED stavu neblinká.	Batéria eStore je v ukladacom režime.	<ul style="list-style-type: none"> <li>➤ Aktivujte batériu eStore.</li> </ul>
	eStore je hlboko vybitý.	<ul style="list-style-type: none"> <li>➤ Nabite batériu eStore nabíjacím prúdom &lt; 10 A. <b>Upozornenie:</b> Nepoužívajte žiadne inteligentné nabíjacie systémy (po zapnutí hlavného spínača nie je na svorkách žiadne napätie. Inteligentné nabíjačky batérie sa nespustia, keď nie je dostupné žiadne napätie).</li> <li>➤ Obráťte sa na autorizovaného odborného predajcu</li> </ul>
	Batéria eStore je chybná.	<ul style="list-style-type: none"> <li>➤ Obráťte sa na autorizovaného odborného predajcu.</li> </ul>
LED stavu blinká červenou farbou.	Batéria eStore je nakonfigurovaná pre pripojenie viacerých batérií eStore a zbernicové káble nie sú pripojené.	<ul style="list-style-type: none"> <li>➤ Pripojte kábel eStore.</li> </ul>
	Batéria eStore je úplne vybitá.	<ul style="list-style-type: none"> <li>➤ Nabite batériu eStore.</li> </ul>
	Batéria eStore je nabitá nadmerne.	<ul style="list-style-type: none"> <li>➤ Odpojte nabíjačky od batérie eStore.</li> <li>➤ Skontrolujte nabíjacie napätie nabíjačky.</li> </ul>
	Batéria eStore je chybná.	<ul style="list-style-type: none"> <li>➤ Obráťte sa na autorizovaného odborného predajcu.</li> </ul>

Porucha	Príčina	Odstránenie
eStore nereaguje na zapnutie hlavného spínača.	Batéria eStore je v ukladacom režime.	<ul style="list-style-type: none"> <li>▶ Aktivujte batériu eStore.</li> </ul>
	Batéria eStore je úplne vybitá.	<ul style="list-style-type: none"> <li>▶ Nabite batériu eStore nabíjacím prúdom &lt; 10 A. <b>Upozornenie:</b> Nepoužívajte žiadne inteligentné nabíjacie systémy (po zapnutí hlavného spínača nie je na svorkách žiadne napätie. Inteligentné nabíjačky batérie sa nespustia, keď nie je dostupné žiadne napätie).</li> <li>▶ Obráťte sa na autorizovaného odborného predajcu</li> </ul>
	eStore je nakonfigurovaná ako podriadená a nie ako hlavná batéria.	<ul style="list-style-type: none"> <li>▶ Použite hlavný spínač hlavnej batérie eStore (eStore nakonfigurovaná ako #1)</li> </ul>
	Konfigurácia pre pripojenie viacerých batérií eStore je chybná.	<ul style="list-style-type: none"> <li>▶ Skontrolujte konfiguráciu.</li> </ul>
Hlavný spínač sa zapne (zatvorí sa) a hneď sa opäť vypne (otvorí).	Batéria eStore je úplne vybitá.	<ul style="list-style-type: none"> <li>▶ Nabite batériu eStore.</li> </ul>
	Batéria eStore je nabitá nadmerne.	<ul style="list-style-type: none"> <li>▶ Odpojte nabíjačky od batérie eStore.</li> <li>▶ Skontrolujte nabíjacie napätie nabíjačky.</li> </ul>
	Nabíjací prúd je príliš vysoký.	<ul style="list-style-type: none"> <li>▶ Znížte nabíjací prúd.</li> </ul>
	Vybíjací prúd je príliš vysoký.	<ul style="list-style-type: none"> <li>▶ Znížte zaťaženie.</li> <li>▶ Skontrolujte teplotu batérie eStore.</li> <li>▶ Nabite batériu eStore.</li> </ul>
	Batéria eStore je poškodená.	<ul style="list-style-type: none"> <li>▶ Obráťte sa na autorizovaného odborného predajcu.</li> </ul>

Porucha	Príčina	Odstránenie
„Warning eStore“ sa objaví na ovládacom panel eCore.	Teplota batérie eStore je príliš nízka.	<ul style="list-style-type: none"> <li>➤ Skontrolujte LED stavu nabíjačky.</li> <li>➤ Skontrolujte teplotu eStore.</li> <li>➤ Zahrejte prostredie.</li> </ul>
	Teplota batérie eStore je príliš vysoká.	<ul style="list-style-type: none"> <li>➤ Skontrolujte LED stavu nabíjačky.</li> <li>➤ Skontrolujte teplotu eStore.</li> <li>➤ Ochladte prostredie.</li> </ul>

## 13 Záruka

Platí zákonom stanovená záručná lehota. Ak by bol výrobok chybný, obráťte sa na pobočku vo vašej krajine (adresy pozri na zadnej strane návodu) alebo na vášho špecializovaného predajcu.

Ak žiadate o vybavenie opravy alebo nárokov vyplývajúcich zo záruky, musíte priložiť nasledovné podklady:

- kópiu faktúry s dátumom kúpy,
- dôvod reklamácie alebo opis chyby.

## 14 Likvidácia

- Obalový materiál podľa možnosti odovzdajte do príslušného odpadu na recykláciu.



Keď výrobok definitívne vyradíte z prevádzky, informujte sa v najbližšom recyklačnom stredisku alebo u vášho špecializovaného predajcu o príslušných predpisoch týkajúcich sa likvidácie.




### Chrňte životné prostredie!

Akumulátory a batérie nepatria do domového odpadu.

Poškodené akumulátory alebo spotrebované batérie odovzdajte priamo u predajcu alebo v zbernom mieste.



## 15 Technické údaje

	<b>eStore</b>
Tov. č.:	9102900224
Menovité napätie:	13,2 V <sup>===</sup>
Rozsah prevádzkovej teploty (pri vybití):	-30 °C (so zníženým výkonom) do teploty +55 °C
Teplotný rozsah nabíjania s eCore: s inými nabíjačkami:	-10 °C až +55 °C 0 °C až +40 °C
Menovité kapacita:	100 Ah
Rozmery D x Š x V:	315 x 160 x 285 mm
Hmotnosť:	17 kg
Skúška/certifikát:	
	IEC 62133 UN 38.3 UN 3480

**Před zahájením instalace a uvedením do provozu si pečlivě přečtěte tento návod a uschovejte jej. V případě dalšího prodeje výrobku předejte návod novému uživateli.**

## Obsah

1	Vysvětlivky symbolů . . . . .	315
2	Všeobecné bezpečnostní pokyny . . . . .	316
3	Rozsah dodávky . . . . .	317
4	Příslušenství . . . . .	318
5	Použití v souladu se stanoveným účelem . . . . .	319
6	Technický popis . . . . .	320
7	Upevnění baterie eStore . . . . .	322
8	Připojení baterie eStore . . . . .	323
9	Před prvním použitím . . . . .	328
10	Použití baterie eStore . . . . .	328
11	Čištění baterie eStore . . . . .	331
12	Odstraňování poruch . . . . .	331
13	Záruka . . . . .	334
14	Likvidace . . . . .	334
15	Technické údaje . . . . .	335

# 1 Vysvětlivky symbolů

**NEBEZPEČÍ!**

**Bezpečnostní pokyny:** Následkem nedodržení pokynů jsou smrtelná nebo vážná zranění.

**VÝSTRAHA!**

**Bezpečnostní pokyny:** Následkem nedodržení pokynů mohou být smrtelná nebo vážná zranění.

**UPOZORNĚNÍ!**

**Bezpečnostní pokyny:** Následkem nedodržení mohou být úrazy.

**POZOR!**

Nedodržení pokynů může mít za následek hmotné škody a narušení funkce výrobku.

**POZNÁMKA**

Doplňující informace týkající se obsluhy výrobku.

## 2 Všeobecné bezpečnostní pokyny

V následujících případech nepřebírá výrobce žádné záruky za škody:

- Poškození výrobku působením mechanických vlivů, přepětí a nadproudu
- Změna výrobku bez výslovného souhlasu výrobce
- Použití k jiným účelům, než jsou popsány v tomto návodu

Při použití elektrických přístrojů dodržujte následující zásadní bezpečnostní opatření k ochraně před těmito nebezpečími:

- úraz elektrickým proudem
- nebezpečí požáru
- úrazy

### 2.1 Základní bezpečnost



#### NEBEZPEČÍ!

- V případě požáru použijte hasicí přístroj, který je vhodný k hašení elektrických přístrojů.



#### VÝSTRAHA!

- V případě, že jsou přístroj nebo přívodní kabel poškozeny, nesmíte výrobek dále používat.
- Opravy tohoto výrobku směřují provádět pouze odborníci. Nesprávně provedené opravy mohou být zdrojem značných rizik.
- Osoby (včetně dětí), které z důvodu svých fyzických, senzorických nebo duševních schopností, nebo své nezkušenosti nebo neznalosti nejsou schopny bezpečně používat výrobek, nesmějí tento přístroj používat bez dohledu odpovědné osoby nebo bez jejího poučení.
- **Elektrické přístroje nejsou hračky pro děti!**  
Přístroj používejte a skladujte mimo dosah dětí.
- Děti musejí být pod dohledem tak, aby si s výrobkem nehrály.

**POZOR!**

- Před uvedením do provozu porovnejte údaj o napětí na typovém štítku se stávajícím zdrojem napájení.
- Zajistěte, aby jiné předměty **nezpůsobily** zkrat na kontaktech přístroje.
- Dávejte pozor, aby **nikdy** nedošlo ke vzájemnému kontaktu kladné a záporné svorky.
- Pokud musejí být rozvody vedeny kolem stěn s ostrými úhly, použijte chráničky nebo průchodky.
- Nepokládejte volné nebo ostře zalomené vodiče na elektricky vodivé materiály (kov).

## 2.2 Bezpečnost za provozu přístroje

**NEBEZPEČÍ! Ohrožení života elektrickým proudem!**

- Nikdy se nedotýkejte odizolovaných vodičů. To platí především pro provoz v síti se střídavým napětím.

**VÝSTRAHA!**

- Používejte přístroj výhradně v uzavřených dobře větraných prostorech.

**UPOZORNĚNÍ!**

- **Nepoužívejte** přístroj za těchto podmínek:
  - Vlhké nebo mokré prostředí, prostředí s obsahem soli
  - Blízkost agresivních výparů
  - Blízkost hořlavých materiálů
  - Oblasti ohrožené explozí
- Netahejte za rozvody.

## 3 Rozsah dodávky

- Baterie eStore
- Návod k instalaci a použití

## 4 Příslušenství

Dostupné jako příslušenství (není součástí dodávky):

Název součásti	Číslo výrobku
Sada sběrníkových kabelů eStore-BUS RJ11 a nálepka eStore ID K připojení mezi několika systémů eStores, pokud je používána sběrnice eStore	9102900279
Konfigurační sada eStore Kabel USB a disk CD s daty Ke zřízení několika systémů eStores – pouze instalační sada	9102900281
Sada sběrníkových kabelů eStore-eCore-BUS Kabel CAT5-LAN, RJ45 K propojení mezi eStore a eCore	9102900280
Sběrníkový kabel eStore-MPC01-BUS K propojení mezi eStore eStore a MPC01	9102200197
Sběrníkový kabel eStore-MCA-BUS K propojení mezi eStore a nabíječkou MCA, pokud nepoužíváte MPC01	9103530048
Náhradní pojistka 250 A Konstrukční řada Littelfuse Mega, vzdálenost otvorů 50,8 mm	9102900282
Sada svislých držáků eStore Ke svislé montáži systému eStore	9102900289
Sada vodorovných držáků eStore K vodorovné montáži systému eStore	9102900290

## 5 Použití v souladu se stanoveným účelem

System eStore slouží jako zdroj napětí 12 V v elektrických zařízeních obytných přívěsů, obytných automobilů, ve firemních vozidlech a ke stacionárnímu využití. System eCore nikdy nesmíte používat k lékařským účelům.

Ve spojení s měničem, např. eCore, můžete napájet i přístroje 230 V~ ???

Použití jako startovací baterie není možné. System eStore nesmíte propojit přímo se startovací baterií. Prostřednictvím paralelního zapojení několika baterií eStore může být dostupný proud dostačující jako podpora startovací baterie. Paralelně můžete vzájemně propojit až osm baterií eStores tak, abyste zvýšili celkovou instalovanou kapacitu až na 800 Ah.

eStore můžete přenášet pomocí instalovaných rukojetí.

## 6 Technický popis

### 6.1 Obecný popis

eStore je bezúdržbová lithium iontová baterie k napájení systémů 12 V. eStore je vybavena interním hlavním vypínačem a interní pojistkou 250 A.

Ve spojení se systémem řízení baterie nabízí baterie eStore následující funkce:

- kontrola článků baterie
- kontrola napětí baterie
- kontrola teploty článků baterie pomocí integrovaného tepelného čidla
- komunikace mezi několika bateriemi eStore

Systém eStore můžete dobíjet pomocí nabíječek eCore nebo PerfectCharge řady MCA. Použití nabíječek od jiných výrobců je dovoleno. K tomu, aby zůstal interní hlavní vypínač během nabíjení za běžných podmínek sepnutý, musí nabíječka splňovat následující požadavky:

1. Koncové nabíjecí napětí: 13,8 V až 14,0 V
2. Maximální výstupní výkon: 40 A pro každou připojenou baterii eStore (doporučeno 30 A)

Ke zvýšení celkové kapacity můžete paralelně zapojit až 8 baterií eStore. Celkový maximální výstupní proud nesmí přesáhnout 250 A.



#### POZNÁMKA

Jedna baterie eStore může krátkodobě generovat proud 250 A. Trvalý proud nesmí překročit 200 A. Trvalý vybíjecí proud vyšší než 200 A z jediné baterie eStore může způsobit zkrácení životnosti. Pokud vyžadujete trvalý proud vyšší než 200 A, používejte dvě nebo více baterií eStore.



## 6.2 Zobrazovací a ovládací prvky

Poz. na obr. 1, strana 3	Název	Vysvětlení
1	Hlavní vypínač	Aktivace (zapojení) a deaktivace (odpojení) interního hlavního vypínače
2	Stavová LED	Nesvítí: Systém správy baterie je vypnutý z důvodu aktivovaného režimu uskladnění nebo z důvodu nadměrného vybití
		Bliká zeleně: Systém správy baterie aktivní, je aktivován nebo zapnut hlavní vypínač
		Bliká žlutě: Systém správy baterie aktivní, je deaktivován nebo vypnut (odpojen) hlavní vypínač
		Bliká červeně: Porucha funkce
3	Sběrníkové rozhraní eStore	
4	Rozhraní LIN k připojení k nabíječkám PerfectCharge MCA a MPC01	
5	Rozhraní USB ke konfiguraci	
6	Sběrníkové rozhraní CAN	

## 6.3 Jištění a přípojky

Poz. na obr. 2, strana 3	Název	Vysvětlení
1	Záporný pól	Svorka M8 pro nabíječky a spotřebiče
2	Interní pojistka	250 A – upevňovací otvory se standardní vzdáleností otvorů 50,8 mm
3	Kladný pól	Svorka M8 pro nabíječky a spotřebiče

## 7 Upevnění baterie eStore



### VÝSTRAHA!

Baterii eStore nesmíte zajišťovat popruhy apod. vedenými přes plastový kryt, došlo by k poškození baterie eStore.



### POZNÁMKA

Při použití několika spojených baterií eStore pamatujte: Baterie eStore nastavte a označte před instalací do vozidla, viz kap. „Propojení několika baterií eStore“ na straně 325.

### Dodržujte následující pokyny, týkající se místa montáže:

- Systém eStore eStore instalujte svisle (obr. 11, strana 6) nebo vodorovně (obr. 12, strana 7) na rovnou a pevnou plochu.
  - Baterie eStore nesmí být instalována v blízkosti hořlavých materiálů.
  - Místo instalace musí být chráněno před vlhkostí a prachem.
  - Kolem baterie eStore ponechejte volné místo minimálně 2 cm a zajistěte dobré odvětrávání. Instalací musí být zabráněno vystavení systému nízkým teplotám v zimním provozu (nabíjení) tak, aby byl zajištěn trvalý provoz.
  - Z bezpečnostních důvodů pamatujte při instalaci (při vrtání, šroubování apod.) na umístění stávajících, a především pak skrytých kabelů, rozvodů a dalších součástí, které mohou být v místě montáže!
  - Pokud instalujete více než jednu baterii eStore, nechejte mezi jednotlivými bateriemi minimálně 1 cm volného místa.
- Vyberte vhodné místo instalace a v tomto místě bezpečně upevněte baterii eStore.
- **Svislá montáž:** Používejte integrované upevňovací patky (obr. 11, strana 6). Vhodné držáky jsou dostupné formou příslušenství (viz kap. „Příslušenství“ na straně 318).
- **Vodorovná montáž:** Zajistěte systém eStore dvěma popruhy nebo pásy nad přístrojem (obr. 12, strana 7). Ved'te je mezi rukojeťmi a upevňovacími patkami a upevněte je k montážní ploše. Tím zajistíte, aby se systém eStore nepohyboval, jakmile bude vozidlo v pohybu. Vhodné držáky jsou dostupné formou příslušenství (viz kap. „Příslušenství“ na straně 318).

## 8 Připojení baterie eStore

### 8.1 Otevření krytu pólů

- ▶ Odjistěte uzávěr mírným zatlačením kolíku uprostřed uzávěru (obr. **3** 1, strana 3).  
Dávejte pozor, abyste kolík zcela nezatlačili.
- ▶ Otevřete kryt (obr. **3** 2, strana 3).
- ▶ Odstraňte uvolněný uzávěr (obr. **3** 3, strana 3).
- ▶ Pozor na polohu uzávěru (obr. **4**, strana 4):
  - 1: odjistěno
  - 2: připraveno k použití
  - 3: zajištěno

### 8.2 Zavření krytu pólů

- ▶ Nasadte zpět kolík uzávěru.
- ▶ Nasadte uzávěr připravený k použití (obr. **5** 1, strana 4).
- ▶ Uzavřete kryt (obr. **5** 2, strana 4).
- ▶ Zajistěte uzávěr mírným zatlačením kolíku uprostřed uzávěru (obr. **5** 3, strana 4).  
Dávejte pozor, abyste kolík zcela nezatlačili.

### 8.3 Aktivace baterie eStore



#### POZNÁMKA

Baterie eStore je dodána ve skladovacím režimu, který minimalizuje samovolné vybíjení během skladování. K použití baterie eStore musíte baterii eStore nejdříve aktivovat.

- ▶ Otevřete kryty pólů (viz kap. „Otevření krytu pólů“ na straně 323).
- ▶ Propojte kladný pól (obr. **2** 1, strana 3) a záporný pól (obr. **2** 2, strana 3) s baterií o nízkém proudu 12 V<sup>---</sup>nebo s nabíječkou.
- ✓ Stavová kontrolka LED (obr. **1** 2, strana 3) bliká žlutě.
- ✓ Baterie eStore je aktivní.

## 8.4 Připojení přívodního kabelu



### POZOR!

- Připojujte pouze přístroje se jmenovitým napětím 12 V $\text{---}$ .
- Pozor na správnou polaritu při připojování přístrojů k baterii eStore. Dodržujte přitom také příslušné návody k použití.
- Zkontrolujte, zda jsou přístroje, které chcete připojovat, vypnuty.

- Zapněte hlavní vypínač baterie eStore stisknutím hlavního vypínače (obr. **1** 1, strana 3).
- Otevřete kryt (kap. „Otevření krytu pólů“ na stranì 323).
- Propojte kladný kabel s kladným pólem (obr. **2** 3, strana 3).
- Utahujte šroub pólu utahovacím momentem 13 – 15 Nm.
- Uzavřete kryt (kap. „Zavření krytu pólů“ na stranì 323).
- Otevřete kryt záporného pólu (kap. „Otevření krytu pólů“ na stranì 323).
- Propojte záporný kabel se záporným pólem (obr. **2** 1, strana 3).
- Utahujte šroub pólu utahovacím momentem 13 – 15 Nm.
- Uzavřete kryt záporného pólu (kap. „Zavření krytu pólů“ na stranì 323).
- Vypněte hlavní vypínač baterie eStore stisknutím hlavního vypínače (obr. **1** 1, strana 3).

## 8.5 Připojení spotřebiče

- Vypněte všechny přístroje, především pak ty, který jsou připojeny k baterii eStore.
- Zapněte hlavní vypínač baterie eStore stisknutím hlavního vypínače (obr. **1** 1, strana 3).
- Připojte přístroj 12 V $\text{---}$  k baterii eStore.
- Vypněte hlavní vypínač baterie eStore stisknutím hlavního vypínače (obr. **1** 1, strana 3).
- Zapněte přístroj 12 V $\text{---}$ ?

## 8.6 Připojení datového kabelu

Baterii eStore můžete připojit k datové komunikaci takto:

- k systémům eCore pomocí sběrnice CAN
- K nabíječky PerfectCharge MCA prostřednictvím sběrnice LIN/CI
- K nabíječky PerfectCharge MCA prostřednictvím MPC01

Pomocí datového připojení je možné kontrolovat a zobrazovat parametry, jako napětí, teplota a stav nabíjení. Další podrobnosti naleznete v příslušných návodech k použití jednotlivých přístrojů.

► Nastavte datové spojení v souladu s konfigurací vašich přístrojů.

## 8.7 Propojení několika baterií eStore

Paralelně můžete vzájemně propojit až osm baterií eStores tak, abyste zvýšili celkovou kapacitu až na 800 Ah. Na obrázku je datové spojení tří propojených baterií eStore (obr. **6**, strana 4).



### POZNÁMKA

- Ke vzájemnému propojení několika baterií eStore budete potřebovat minimálně jeden sběrnice kabel a konfigurační sadu eStore (viz kap. „Příslušenství“ na straně 318).
- Vzájemně propojené baterie eStore musejí být nastaveny pomocí konfigurátoru eStore (kap. „Připojení sběrnice kabelu a konfigurace“ na straně 326). Pokud budete používat pouze jedinou baterii eStore, nemusíte provádět žádná nastavení. Baterie eStore je z výroby nastavena k použití jako samostatná baterie.
- Zkontrolujte, zda jsou všechny baterie eStore po instalaci kompletně nabity.

První baterie eStore je hlavní (master). Má následující funkce:

- Řídí hlavní vypínač ostatních baterií eStore (obr. **6**, strana 4).
- Propojuje nabíječky pomocí CAN/LIN.

Ostatní baterie eStore jsou jako podřízené (slave) řízení hlavní baterií (master).

## Připojení sběrnice kabelu a konfigurace

Ke konfiguraci budete potřebovat počítač s přípojkou USB a konfigurátor eStore.

V závislosti na provedené vestavbě je účelné konfigurovat a označit baterie eStore ještě před instalací do vozidla.

- Zkontrolujte, zda není baterie eStore v režimu paměti (stavová LED bliká).
- Zapojte kabel USB počítače do rozhraní USB (obr. **1** 5, strana 3) první baterie eStore (hlavní, master).
- Provedte konfiguraci hlavní baterie, viz kap. „Konfigurace propojených baterií eStore“ na straně 326.
- Umístěte na hlavní baterii nálepkou s ID (obr. **6** 6, strana 4) (obr. **6** 1, strana 4).
- Odpojte kabel USB z hlavní baterie (master).
- Zapojte kabel USB počítače do rozhraní USB první podřízené baterie (slave).
- Umístěte na podřízenou baterii nálepkou s ID (obr. **6** 3, strana 4) (obr. **6** 2, strana 4).
- Případně provedte konfiguraci ostatních podřízených baterií (slave).
- Propojte baterie eStore sběrnice kabely (obr. **6** 4, strana 4).

## 8.8 Konfigurace propojených baterií eStore

- Případně instalujte do počítače program ModbusReader „mbreader\_setup.exe“ z disku CD s daty.
- Kopírujte soubor „eStore\_Configuration\_utility\_FM739.mbc“ z disku CD na pevný disk počítače.
- Otevřete soubor „eStore\_Configuration\_utility\_FM739.mbc“.
- ✓ Otevře se konfigurátor eStore (obr. **7** , strana 5).
- Stiskněte **CTRL + F** nebo vyberte v nabídce „Connection“ příkaz **Find COM** (obr. **8** 1, strana 5).
- Vyberte nové číslo portu, zde například COM18 (obr. **8** 2, strana 5).
- Stiskněte **CTRL + P** nebo vyberte v nabídce „Connection“ příkaz **COM Parameters** (obr. **8** 3, strana 5).
- Otevře se okno **COM Settings**.
- Vyberte ze seznamu **Parity** (obr. **8** 4, strana 5) hodnotu **Even**.

- Klepněte na tlačítko **OK** (obr. **8** 5, strana 5).
- Zadejte do pole **Pack Address** číslo baterie eStore, např. „1“ pro hlavní baterii (master) (obr. **9** 1, strana 5).
- Stiskněte "F2" nebo vyberte v nabídce „Connection“ příkaz **Connect** (obr. **8** 6, strana 5).
- Stiskněte tlačítko Enter.
- Zadejte do pole **Total Pack Number** počet všech baterií eStore, např. „3“, pokud připojujete celkem tři přístroje (obr. **9** 2, strana 5).
- Stiskněte tlačítko Enter.
- Zadejte do pole **Parallel Pack Number** počet všech baterií eStore, např. „3“, pokud připojujete celkem tři přístroje (obr. **9** 3, strana 5).  
**Upozornění:** Hodnoty v polích Total Pack Number a Parallel Pack Number musejí být identické.
- Stiskněte tlačítko Enter.
- Zadejte heslo **3331** (obr. **9** 5, strana 5).
- Stiskněte tlačítko Enter.
- Umístěte nálepku s ID (obr. **9** 6, strana 5).  
**Upozornění:** Číslo poslední baterie eStore musí být identické s číslem označujícím celkový počet baterií eStore.

## 9 Před prvním použitím



### POZNÁMKA

Zkontrolujte, zda jsou jednotlivé nebo několik baterií eStore po instalaci kompletně nabité, v opačném případě může vybíjení způsobit škody.

## 10 Použití baterie eStore



### POZOR!

Nenechávejte baterie eStore vybité.

Pokud dojde k rozpojení hlavního vypínače z důvodu nadměrného vybití, musíte baterie eStore co nejrychleji opět nabít (maximálně 5 dní). V opačném případě přepne baterie eStore do režimu uskladnění a může dojít k poškození.



### POZNÁMKA

K prodloužení životnosti baterie eStore dodržujte následující pokyny:

- Zabraňte takové míře vybití, kdy dojde k rozpojení hlavního vypínače (viz kap. „Provozní napětí a hlavní vypínač“ na straně 329).
- Během nabíjení nebo skladování zabraňte extrémně vysokým nebo nízkým teplotám.
- Zabraňte trvale vysokému vybíjení (> 200 A).



## 10.1 Provozní napětí a hlavní vypínač

Systém řízení baterie eStore (BMS) vyhodnocuje stav každého jednoho článku baterie tak, aby zjistil, kdy má být baterie ochráněna rozpojením hlavního vypínače.

Hlavní vypínač pracuje následujícím způsobem:

Stav baterie eStore	Chování hlavního vypínače
Vybítí	<p>&lt; 30 A, 11 – 12 V: Hlavní vypínač rozpojí</p> <p>&gt; 30 A, 10 – 11,8 V: hlavní vypínač se rozpojí</p> <p>Tyto hodnoty jsou orientační a mají pouze informativní charakter. Napětí při rozpojení hlavního vypínače závisí na interních parametrech, jako je napětí a teplota článků a vybíjecí proud. Uvedené proudové hodnoty jsou platné pro jednotlivé systémy eStore.</p>
Nabíjení	<p>Napětí při rozpojení hlavního vypínače závisí na interních parametrech, jako je napětí a teplota článků a nabíjecí proud. Maximální napětí před rozpojením hlavního vypínače je 15,2 V. Nabíjení za použití doporučených parametrů nabíjení v běžném provozu zaručuje, že hlavní vypínač zůstane zapnutý.</p> <p>Viz kap. „Nabíjení baterie eStore“ na straně 329 doporučené parametry nabíjení.</p>

## 10.2 Nabíjení baterie eStore



### POZOR!

Baterii eStore můžete nabíjet nabíječkami eCore nebo PerfectCharge MCA (vyberte režim Power Mode; viz návod k obsluze nabíječky ke správnému přepnutí přepínačů DIP). Použití nabíječek od jiných výrobců je dovoleno. Hlavní vypínač zůstává při nabíjení za běžných podmínek sepnutý, pokud jsou splněny následující parametry nabíjení:

- Koncové nabíjecí napětí: 13,8 V až 14,0 V
- Maximální výstupní výkon: 40 A pro každou připojenou baterii eStore (doporučeno 30 A)



### POZNÁMKA

Dodržujte také návod k obsluze používané nabíječky.

## 10.3 Výměna pojistky



### POZNÁMKA

Používejte maximálně jednu pojistku 250 A se vzdáleností otvorů 50,8 mm.

Při výměně pojistky postupujte takto:

- Otevřete kryt kladného pólu (kap. „Otevření krytu pólů“ na straně 323).
- Odšroubujte matice a odstraňte podložky pojistky (obr. **10** 1, strana 6).
- Vyměňte pojistku (obr. **10** 2, strana 6).
- Pomocí matic a podložek upevněte novou pojistku (obr. **10** 1, strana 6). Matice utáhněte momentem 13 až 15 Nm.
- Uzavřete kryt kladného pólu (kap. „Zavření krytu pólů“ na straně 323).

## 10.4 Skladování baterie eStore



### POZNÁMKA

- Skladujte baterii eStore na chladném a suchém místě.
  - Neskladujte za trvale vysokých teplot. Dochází tím ke zkracování životnosti.
  - Každé 3 měsíce baterie eStore nabíjejte.
  - Delší skladování (např. zazimování vozidla):
    - Odpojte všechny spotřebiče.
    - Nabijte baterii eStore.
    - Rozpojte hlavní vypínač.
- Tím zabráníte nadměrnému vybití a poškození systému eStore.

## 11 Čištění baterie eStore



### POZOR!

Nepoužívejte k čištění žádné tvrdé nebo ostré předměty, může dojít k poškození výrobku.

- Příležitostně vyčistěte výrobek zvlhčenou utěrkou.

## 12 Odstraňování poruch

Porucha	Příčina	Odstranění
Na svorkách baterie není žádné napětí.	Hlavní vypínač je vypnutý (rozpojený).	► Zapněte (zapojte) hlavní vypínač.
	Pojistka je vadná.	► Vyměňte pojistku (viz kap. „Výměna pojistky“ na straně 330).
	Baterie eStore v akumulacním režimu.	► Aktivujte baterii eStore.
	Baterie eStore není správně konfigurována.	► Provedte konfiguraci baterie eStore.
	Baterie eStore je hluboce vybita.	► Nabijte baterii eStore nabíjecím proudem < 10 A. <b>Upozornění:</b> Nepoužívejte inteligentní nabíjecí systémy (se zapnutým hlavním vypínačem není na svorkách žádné napětí). Inteligentní nabíječky baterií se neaktivují, pokud není dostupné žádné napětí).
Baterie eStore je vadná.	► Kontaktujte autorizovaného prodejce.	

Porucha	Příčina	Odstranění
Stavová LED neblíká.	Baterie eStore v akumulačním režimu.	<ul style="list-style-type: none"> <li>▶ Aktivujte baterii eStore.</li> </ul>
	Baterie eStore je hluboce vybita.	<ul style="list-style-type: none"> <li>▶ Nabijte baterii eStore nabíjecím proudem &lt; 10 A. <b>Upozornění:</b> Nepoužívejte inteligentní nabíjecí systémy (se zapnutým hlavním vypínačem není na svorkách žádné napětí. Inteligentní nabíječky baterií se neaktivují, pokud není dostupné žádné napětí).</li> <li>▶ Kontaktujte autorizovaného prodejce.</li> </ul>
	Baterie eStore je vadná.	<ul style="list-style-type: none"> <li>▶ Kontaktujte autorizovaného prodejce.</li> </ul>
Stavová LED bliká červeně.	Baterie eStore je konfigurována k připojení několika baterií eStore a sběrníkový kabel není zapojen.	<ul style="list-style-type: none"> <li>▶ Zapojte kabel eStore.</li> </ul>
	Baterie eStore je hluboce vybita.	<ul style="list-style-type: none"> <li>▶ Nabijte baterii eStore.</li> </ul>
	Baterie eStore je nabita nadměrně.	<ul style="list-style-type: none"> <li>▶ Odpojte od baterie eStore nabíječky.</li> <li>▶ Zkontrolujte nabíjecí napětí nabíječky.</li> </ul>
	Baterie eStore je vadná.	<ul style="list-style-type: none"> <li>▶ Kontaktujte autorizovaného prodejce.</li> </ul>

Porucha	Příčina	Odstranění
Baterie eStore nereaguje na zapnutí hlavního vypínače.	Baterie eStore v akumulačním režimu.	<ul style="list-style-type: none"> <li>▶ Aktivujte baterii eStore.</li> </ul>
	Baterie eStore4 je hluboce vybita.	<ul style="list-style-type: none"> <li>▶ Nabijte baterii eStore nabíjecím proudem &lt; 10 A. <b>Upozornění:</b> Nepoužívejte inteligentní nabíjecí systémy (se zapnutým hlavním vypínačem není na svorkách žádné napětí. Inteligentní nabíječky baterií se neaktivují, pokud není dostupné žádné napětí).</li> <li>▶ Kontaktujte autorizovaného prodejce.</li> </ul>
	Baterie eStore je konfigurována jako slave (podřízená), nikoliv jako master (hlavní).	<ul style="list-style-type: none"> <li>▶ Použijte hlavní vypínač hlavní baterie eStore (master, baterie eStore s konfigurací #1)</li> </ul>
	Nesprávná konfigurace k připojení několika baterií eStore.	<ul style="list-style-type: none"> <li>▶ Zkontrolujte konfiguraci.</li> </ul>
	Baterie eStore je vadná.	<ul style="list-style-type: none"> <li>▶ Kontaktujte autorizovaného prodejce.</li> </ul>
Hlavní vypínač zapne (sepne) a okamžitě se zase vypne (rozpojí).	Baterie eStore je hluboce vybita.	<ul style="list-style-type: none"> <li>▶ Nabijte baterii eStore.</li> </ul>
	Baterie eStore je nabita nadměrně.	<ul style="list-style-type: none"> <li>▶ Odpojte od baterie eStore nabíječky.</li> <li>▶ Zkontrolujte nabíjecí napětí nabíječky.</li> </ul>
	Příliš vysoký nabíjecí proud.	<ul style="list-style-type: none"> <li>▶ Snižte nabíjecí proud.</li> </ul>
	Příliš vysoký vybíjecí proud.	<ul style="list-style-type: none"> <li>▶ Snižte zatížení.</li> <li>▶ Zkontrolujte teplotu baterie eStore.</li> <li>▶ Nabijte baterii eStore.</li> </ul>
	Baterie eStore je poškozená.	<ul style="list-style-type: none"> <li>▶ Kontaktujte autorizovaného prodejce.</li> </ul>

Porucha	Příčina	Odstranění
Na ovládacím panelu systému eCore se zobrazí hlášení „Warning eStore“.	Teplota baterie eStore je příliš nízká.	<ul style="list-style-type: none"> <li>➤ Zkontrolujte stavovou LED nabíječky.</li> <li>➤ Zkontrolujte teplotu baterie eStore.</li> <li>➤ Zvyšte okolní teplotu.</li> </ul>
	Teplota baterie eStore je příliš vysoká.	<ul style="list-style-type: none"> <li>➤ Zkontrolujte stavovou LED nabíječky.</li> <li>➤ Zkontrolujte teplotu baterie eStore.</li> <li>➤ Snižte okolní teplotu.</li> </ul>

## 13 Záruka

Na výrobek je poskytována záruka v souladu s platnými zákony. Zjistíte-li, že je výrobek vadný, zašlete jej do pobočky výrobce ve vaší zemi (adresy viz zadní strana tohoto návodu) nebo do specializovanému prodejci.

K vyřízení opravy nebo záruky nezapomeňte odeslat následující dokumenty:

- Kopii účtenky s datem zakoupení,
- Uvedení důvodu reklamace nebo popis vady.

## 14 Likvidace

- Obalový materiál likvidujte v odpadu určeném k recyklaci.



Jakmile výrobek zcela vyřadíte z provozu, informujte se v příslušných recyklačních centrech nebo u specializovaného prodejce o příslušných předpisech o likvidaci odpadu.




### **Chraňte životní prostředí!**

Akumulátory a baterie nepatří do domovního odpadu.

Odevzdejte vadné akumulátory nebo vybité baterie prodejci nebo na sběrném místě.

## 15 Technické údaje

	<b>eStore</b>
Výr. č.:	9102900224
Jmenovité napětí:	13,2 V $\text{---}$
Rozsah provozních teplot (při vybíjení):	-30 °C (se sníženým výkonem) až +55 °C
Rozsah teplot pro nabíjení pomocí systému eCore: pomocí jiných nabíječek:	-10 °C až +55 °C 0 °C až +40 °C
Jmenovité kapacita:	100 Ah
Rozměry D x Š x V:	315 x 160 x 285 mm
Hmotnost:	17 kg
Zkouška/certifikát:	
	IEC 62133 UN 38.3 UN 3480

**Beépítés és üzembe vétel előtt gondosan olvassa el és őrizze meg ezt a használati útmutatót. Ha a terméket továbbadja, mellékelje hozzá a használati útmutatót is.**

## Tartalomjegyzék

1	A szimbólumok magyarázata . . . . .	337
2	Általános biztonsági információk . . . . .	338
3	A szállítmány tartalma . . . . .	339
4	Tartozékok . . . . .	340
5	Rendeltetésszerű használat . . . . .	341
6	Műszaki leírás . . . . .	341
7	Az eStore rögzítése . . . . .	343
8	Az eStore csatlakoztatása . . . . .	344
9	Az első használat előtt . . . . .	349
10	Az eStore használata . . . . .	349
11	Az eStore tisztítása . . . . .	351
12	Üzemzavarok elhárítása . . . . .	352
13	Szavatosság . . . . .	354
14	Ártalmatlanítás . . . . .	355
15	Műszaki adatok . . . . .	355



# 1 A szimbólumok magyarázata

**VESZÉLY!**

**Biztonsági tudnivaló:** Az utasítás figyelmen kívül hagyása halált vagy súlyos sérülést okoz.

**FIGYELMEZTETÉS!**

**Biztonsági tudnivaló:** Az utasítás figyelmen kívül hagyása halált vagy súlyos sérülést okozhat.

**VIGYÁZAT!**

**Biztonsági tudnivaló:** Az utasítás figyelmen kívül hagyása sérüléseket okozhat.

**FIGYELEM!**

Ha nem veszi figyelembe az információt, az anyagkárosodást eredményezhet, és káros kihatással lehet a termék működésére.

**MEGJEGYZÉS**

Kiegészítő információk a termék kezelésével kapcsolatosan.

## 2 Általános biztonsági információk

A gyártó a bekövetkező károkért a következő esetekben nem vállal felelősséget:

- A termék mechanikai behatások, túlfeszültségek és túláramok miatti sérülése
- a termék kifejezett gyártói engedély nélküli módosítása
- az útmutatóban leírt céloktól eltérő felhasználás

Elektromos készülékek használata előtt vegye figyelembe az alábbi alapvető biztonsági intézkedéseket az alábbi veszélyek elleni védelem érdekében:

- áramütés
- tűzveszély
- sérülések

### 2.1 Alapvető biztonság



#### **VESZÉLY!**

- Tűz esetén elektromos készülékek oltására alkalmas tűzoltó készüléket használjon.



#### **FIGYELMEZTETÉS!**

- Ha a készüléken vagy a csatlakozókábelben látható sérülések vannak, akkor a készüléket nem szabad üzembe helyezni.
- Javításokat csak szakemberek végezhetnek a készüléken. A szakszerűtlen javítások jelentős veszélyeket okozhatnak.
- Azok a személyek (beleértve a gyermekeket is), akik fizikai, érzékszervi vagy szellemi képességeik vagy tapasztalatlanságuk vagy tudatlanságuk miatt a készüléket nem tudják biztonságosan használni, a készüléket nem használhatják felügyelet vagy felelős személy utasítása nélkül.
- **Az elektromos berendezések nem játékszerek!**  
Úgy tárolja és használja a készüléket, hogy gyermekek ne férhessenek hozzá.
- A gyermekek felügyeletével biztosítani kell, hogy ne játszhassanak a készülékkel.



### FIGYELEM!

- Üzembe helyezés előtt hasonlítsa össze a feszültségadatokat a típus-táblán a meglévő energiaellátással.
- Ügyeljen arra, hogy más tárgyak **ne** okozhassanak rövidzárlatot a készülék érintkezőinél.
- Ügyeljen arra, hogy a pozitív és negatív kapocs **soha** ne érintkezzen egymással.
- Ha vezetékeket éles peremű falakon kell átvezetnie, akkor használjon üres csöveket, illetve vezetékátvezetőket!
- Ne vezessen laza vagy élesen megtört vezetékeket elektromosan vezető anyagokon (fém)!

## 2.2 Biztonság a készülék üzemeltetése során



### VESZÉLY! Áramütés miatti életveszély!

- Soha ne fogjon meg puszta kézzel csupasz vezetékeket. Ez mindene-kelőtt a váltakozó áramú hálózatról üzemeltetett készülékekre érvé-nyes.



### FIGYELMEZTETÉS!

- A készüléket kizárólag zárt, jól szellőztetett helyiségekben használja.



### VIGYÁZAT!

- **Ne** üzemeltesse a készüléket
  - sótartalmú, nedves vagy vizes környezetben
  - agresszív gőzök közelében
  - éghető anyagok közelében
  - robbanásveszélyes területeken
- A vezetékekre ne fejtse ki húzóerőt.

## 3 A szállítmány tartalma

- eStore akkumulátor
- Beépítési és kezelési útmutató

## 4 Tartozékok

Tartozékként és pótalkatrészként kapható (nincs mellékelve):

<b>Alkatrész-megnevezés</b>	<b>Cikkszám</b>
eStore-BUS kábelkészlet RJ11 és eStore ID-matrica Több eStore csatlakoztatására, ha az eStore-Bus használatban van	9102900279
eStore-konfigurációs készlet USB-kábel és adat CD Több eStore beállításához – csak telepítő	9102900281
eStore-eCore-BUS-kábelkészlet CAT5-LAN-kábel, RJ45 eStore és eCore csatlakoztatására	9102900280
eStore-MPC01-BUS-kábel eStore és MPC01 csatlakoztatására	9102200197
eStore-MCA-BUS-kábel eStore és MCA-töltők csatlakoztatására, ha nem használnak MPC01 eszközt	9103530048
Pótbiztosíték, 250 A Littelfuse Mega-sorozat, furattávolság: 50,8 mm	9102900282
eStore-tartókengyel készlet – függőleges Az eStore függőleges felszereléséhez	9102900289
eStore-tartókengyel készlet – vízszintes Az eStore vízszintes felszereléséhez	9102900290

## 5 Rendeltetésszerű használat

Az eStore 12 V-os áramforrásként szolgál lakóautók, lakókocsik, munkajárművek és helyhez kötött alkalmazások elektromos rendszerei számára. Az eCore nem használható orvosi célokra.

Inverterrel, pl. eCore készülékkel együtt, 230 V~ -os készülékek ellátására is lehetőség van.

Indítóakkumulátorként való használat nem lehetséges. Az eStore-t tilos közvetlenül az indítóakkumulátorral összekötni. Több eStore akkumulátor párhuzamos alkalmazása révén a rendelkezésre álló áram elegendő lehet az indítóakkumulátor segítésére. Legfeljebb nyolc eStore akkumulátor köthető össze egymással párhuzamosan, így a telepítési összkapacitás maximum 800 Ah-ig növelhető.

Az eStore az integrált tartófogantyúkkal szállítható.

## 6 Műszaki leírás

### 6.1 Általános leírás

Az eStore egy karbantartást nem igénylő lítium-ionos akkumulátor 12 V===-os rendszerek ellátására. Az eStore belső főkapcsolóval és 250 A-es belső biztosítékkal rendelkezik.

Akkumulátor-felügyeleti rendszerrel együtt az eStore a következő funkciókat kínálja:

- akkumulátorcellák felügyelete
- akkumulátorfeszültség felügyelete
- akkumulátorcella-hőmérséklet felügyelete az integrált hőérzékelővel
- kommunikáció több eStore akkumulátor közt

Az eStore olyan akkumulátortöltőkkel tölthető, mint például az eCore, vagy az MCA sorozatba tartozó PerfectCharge. Idegen gyártók akkumulátortöltőivel is tölthető. Annak biztosítása érdekében, hogy a belső főkapcsoló a töltés közben és normál körülmények között zárva maradjon, a töltőnek a következő követelményeknek kell megfelelnie:

1. Töltési végfeszültség: 13,8 V és 14,0 V közötti
2. 40 A-es maximális kimeneti teljesítmény csatlakoztatott eStore készülékenként (30 A az ajánlott)

A teljes kapacitás növelése érdekében legfeljebb 8 eStore párhuzamosan kapcsolható. A maximális közös kimeneti áram nem lépheti túl a 250 A-t.



### MEGJEGYZÉS

Az eStore rövid ideig képes 250 A-es áramot biztosítani. Az állandó áram nem lépheti túl a 200 A-t. Az eStore 200 A-t tartósan meghaladó kisütési árama az élettartam rövidüléséhez vezethet. Használjon kettő vagy több eStore-t, ha tartósan 200 A feletti áramra van szükség.

## 6.2 Kijelző- és kezelőelemek

Poz. / 1. ábra, 3. oldal	Megnevezés	Magyarázat
1	Főkapcsoló	Aktiválja (zárja) és deaktiválja (nyitja) a belső főkapcsolót
2	Állapotjelző LED	Ki: Aktív töltési mód, vagy túlzott lemerülés miatt az akkumulátorkezelő rendszer le van kapcsolva Zölden villog: az akkumulátor-felügyeleti rendszer aktív, a főkapcsoló aktív vagy be van kapcsolva (zárva) Sárgán villog: az akkumulátor-felügyeleti rendszer aktív, a főkapcsoló inaktív vagy ki van kapcsolva (nyitva) Pirosan villog: működési hiba
3	eStore-buszcsatlakozó	
4	LIN-port PerfectCharge MCA-töltők és a MPC01 csatlakoztatásához	
5	USB-port a konfigurációhoz	
6	CAN-buszcsatlakozó	

## 6.3 Biztosíték és csatlakozók

Poz. / 2. ábra, 3. oldal	Megnevezés	Magyarázat
1	Negatív pólus	M8 kapocs töltőkhöz és fogyasztókhoz
2	Belső biztosíték	250 A – Rögzítőfuratok 50,8 mm-es szabványos lyuktávolsággal
3	Pozitív pólus	M8 kapocs töltőkhöz és fogyasztókhoz

## 7 Az eStore rögzítése



### FIGYELMEZTETÉS!

Az eStore-t tilos hevederekkel vagy hasonló eszközökkel rögzíteni a műanyag burkolat felett, ellenkező esetben károsodik az eStore.



### MEGJEGYZÉS

Több összekapcsolt eStore használata esetén vegye figyelembe a következőket: Konfigurálja és jelölje meg az eStore akkumulátorokat a járműbe történő beszerelés előtt, lásd „Több eStore összekötése” fejj., 346. oldal.

### A szerelési helyre vonatkozóan vegye figyelembe a következőket:

- Az eStore függőlegesen (11. ábra, 6. oldal) vagy vízszintesen (12. ábra, 7. oldal) is felszerelhető sík és stabil felületekre.
  - Az eStore-t tilos tűzveszélyes anyagok közelében beszerelni.
  - A beszerelés helyét védeni kell a nedvességtől és a portól.
  - Hagyjon legalább 2 cm-es helyet az eStore körül, és gondoskodjon megfelelő szellőzésről. Beszerelésével elkerülhető az téli üzem során az alacsony hőmérséklet (töltés), így megvalósítható a tartós üzem.
  - Biztonsági okok miatt a beszerelés során (fúrásnál, csavarozásnál stb.) ügyeljen a meglévő, különösen a nem látható, kábelkötegek, vezetékek és a szerelési tartományban lévő más részegységek elhelyezkedésére!
  - Ha több eStore-t szerel be, hagyjon legalább 1 cm-t az eStore akkumulátorok közt.
- Válasszon ki egy megfelelő helyet a beszereléshez és rögzítse ezen a ponton az eStore-t.

- ▶ **Függőleges felszerelés:** Használja az integrált tartólábakat (**11**. ábra, 6. oldal). Tartozékként megfelelő tartókengyelek is kaphatók (lásd: „Tartozékok” fejj., 340. oldal).
- ▶ **Vízszintes felszerelés:** Két szíjjal, vagy szalaggal biztosítsa az eStore egységet a készülék felett (**12**. ábra, 7. oldal). Ezeket vezesse át a fogantyúk és a tartólábak között és rögzítse a szerelőfelületen. Ezáltal biztosítható, hogy a jármű mozgása közben nem mozduljon el az eStore egység. Tartozékként megfelelő tartókengyelek is kaphatók (lásd: „Tartozékok” fejj., 340. oldal).

## 8 Az eStore csatlakoztatása

### 8.1 A pólus burkolatának felnyitása

- ▶ Nyissa ki a zárat úgy, hogy a zár közepén lévő stiftet kissé lenyomja (**3**. ábra 1, 3. oldal).  
Nem szabad teljesen átnyomni a stiftet.
- ▶ Nyissa ki a fedelet (**3**. ábra 2, 3. oldal).
- ▶ Távolítsa el a kinyitott zárat (**3**. ábra 3, 3. oldal).
- ▶ Vegye figyelembe a zár pozícióit (**4**. ábra, 4. oldal):
  - 1: nyitva
  - 2: használatra kész
  - 3: zárva

### 8.2 A pólus burkolatának lezárása

- ▶ Tolja vissza a zár stiftjét.
- ▶ Helyezze be a használatra kész zárat (**5**. ábra 1, 4. oldal).
- ▶ Zárja le a fedelet (**5**. ábra 2, 4. oldal).
- ▶ Zárja le a zárat úgy, hogy a fedél közepén lévő stiftet finoman lenyomja (**5**. ábra 3, 4. oldal).  
Nem szabad teljesen átnyomni a stiftet.



### 8.3 Az eStore aktiválása



#### MEGJEGYZÉS

Az eStore tároló üzemmódban kerül kiszállításra, így megakadályozható a tárolás közbeni önkisülés. Az eStore használatához először aktiválni kell az eStore-t.

- Nyissa ki a pólus fedelét (lásd „A pólus burkolatának felnyitása” fejj., 344. oldal).
- Kösse össze a pozitív pólust (2. ábra 1, 3. oldal) és a negatív pólust (2. ábra 2, 3. oldal) egy kis áramerősségű 12 V-os akkumulátorral vagy töltővel.
- ✓ Az állapotjelző LED (1. ábra 2, 3. oldal) sárgán villog.
- ✓ Az eStore aktív.

### 8.4 Csatlakozókábelek csatlakoztatása



#### FIGYELEM!

- Csak 12 V-os névleges feszültségű készülékeket csatlakoztasson.
- Ügyeljen a helyes polarításra, ha készülékeket csatlakoztat az eStore-hoz. Ide vonatkozóan vegye figyelembe a megfelelő kezelési útmutatót is.
- Győződjön meg arról, hogy a csatlakoztatni kívánt készülékek ki vannak kapcsolva.

- Kapcsolja be (nyissa ki) az eStore főkapcsolóját a főkapcsoló megnyomásával (1. ábra 1, 3. oldal).
- Nyissa ki a fedelet („A pólus burkolatának felnyitása” fejj., 344. oldal).
- Kösse össze a pozitív kábelt a pozitív pólussal (2. ábra 3, 3. oldal).
- Húzza meg a póluscsavart 13 – 15 Nm-es nyomatékkal.
- Zárja le a fedelet („A pólus burkolatának lezárása” fejj., 344. oldal).
- Nyissa ki a negatív pólus fedelét („A pólus burkolatának felnyitása” fejj., 344. oldal).
- Kösse össze a negatív kábelt a negatív pólussal (2. ábra 1, 3. oldal).
- Húzza meg a póluscsavart 13 – 15 Nm-es nyomatékkal.
- Zárja le a negatív pólus fedelét („A pólus burkolatának lezárása” fejj., 344. oldal).
- Kapcsolja ki (zárja le) az eStore főkapcsolóját a főkapcsoló megnyomásával (1. ábra 1, 3. oldal).

## 8.5 Fogyasztók csatlakoztatása

- ▶ Kapcsolja le az összes készüléket, különösen az eStore-ral összekötött készülékeket.
- ▶ Kapcsolja be (nyissa ki) az eStore főkapcsolóját a főkapcsoló megnyomásával (1. ábra 1, 3. oldal).
- ▶ Csatlakoztassa a 12 V-os készüléket az eStore-hoz.
- ▶ Kapcsolja ki (zárja le) az eStore főkapcsolóját a főkapcsoló megnyomásával (1. ábra 1, 3. oldal).
- ▶ Kapcsolja be a 12 V-os készüléket.

## 8.6 Adatkábel csatlakoztatása

Az eStore adatkommunikációs összeköttetése a következőképpen hozható létre:

- eCore-ral a CAN-buszon keresztül
- egy PerfectCharge MCA-töltőhöz LIN-/CI-Bus-on keresztül
- egy PerfectCharge MCA-töltőhöz LIN-/CI-Bus-on keresztül, MPC01-en keresztül

Az adatkapcsolat segítségével ellenőrizhetők és megjeleníthetők a feszültséghez, hőmérséklethez és töltöttségi állapothoz hasonló paraméterek. További részletekhez lásd a készülékek megfelelő kezelési útmutatóit.

- ▶ Hozza létre az adatkapcsolatot a készülék konfigurációjának megfelelően.

## 8.7 Több eStore összekötése

Legfeljebb nyolc eStore akkumulátor köthető össze egymással párhuzamosan, így az összkapacitás maximum 800 Ah-ig növelhető. Az ábrán három összekapcsolt eStore adatkapcsolata látható (6. ábra, 4. oldal).

**MEGJEGYZÉS**

- Több eStore egymással való összekötéséhez legalább egy buszkábelre és az eStore konfigurációs készletre van szükség (lásd „Tartozékok” fejj., 340. oldal).
- Az egymással összekötött eStore készülékeket az eStore konfigurátorral kell beállítani („Buszkábel csatlakoztatása és konfigurálása” fejj., 347. oldal). Ha csak egy eStore-t használ, akkor semmit nem kell beállítania. Az eStore gyári beállítása szerint egyetlen akkumulátor-ként való használatra van beállítva.
- A szerelést követően győződjön meg arról, hogy az összes eStore teljesen feltöltődött.

Az első eStore masterként szolgál. A következő funkciókat látja el:

- Vezérli a többi eStore főkapcsolóját ( **6** . ábra, 4. oldal).
- Összeköti a töltőkészülékeket CAN-en/LIN-en keresztül.

A többi eStore slave-ként történő vezérlését a master végzi.

**Buszkábel csatlakoztatása és konfigurálása**

A konfigurációhoz USB-csatlakozóval rendelkező PC-re és az eStore konfigurátorra van szükség.

A beszerelési helyzettől függően célszerű lehet az eStore készülékeket a járműbe történő beszerelés előtt konfigurálni és megjelölni.

- Győződjön meg arról, hogy az eStore nincs tároló üzemmódban (az állapotjelző LED villog).
- Dugja be a PC USB-kábelét az első eStore (master) USB-portjába ( **1** . ábra 5, 3. oldal).
- Konfigurálja a mestert, lásd „Az összekötött eStore-ok konfigurálása” fejj., 348. oldal.
- Helyezze el az azonosító matricát ( **6** . ábra 6, 4. oldal) a masteren ( **6** . ábra 1, 4. oldal).
- Húzza ki az USB-kábelt a masterből.
- Dugja be a PC USB-kábelét az első slave USB-portjába.
- Helyezze el az azonosító matricát ( **6** . ábra 3, 4. oldal) a slave-en ( **6** . ábra 2, 4. oldal).

- Szükség esetén konfigurálja a többi slave-et.
- Kösse össze az eStore készülékeket a buszkábelekkel (6. ábra 4, 4. oldal).

## 8.8 Az összekötött eStore-ok konfigurálása

- Szükség esetén telepítse az „mbreader\_setup.exe” ModbusReader-t az adat CD-ről a PC-re.
- Másolja át az „eStore\_Configuration\_utility\_FM739.mbc” fájlt az adat CD-ről a PC merevlemezére.
- Nyissa meg az „eStore\_Configuration\_utility\_FM739.mbc” fájlt.
- ✓ Az eStore konfigurátor megnyílik (7. ábra, 5. oldal).
- Nyomja meg a **Ctrl+F** gombot vagy válassza ki a „Connection” menüben a **Find COM** (8. ábra 1, 5. oldal) parancsot.
- Válassza ki a port új számát, a példában COM18 (8. ábra 2, 5. oldal).
- Nyomja meg a **Ctrl+P** gombot vagy válassza ki a „Connection” menüben a **COM Parameters** (8. ábra 3, 5. oldal) opciót.
- Megnyílik a **COM Settings** ablak.
- Válassza ki a **Parity** (8. ábra 4, 5. oldal) választólistából az **Even** értéket.
- Kattintson rá az **OK** (8. ábra 5, 5. oldal) gombra.
- A **Pack Address** mezőben adja meg az eStore számát, pl. „1” a master számára (9. ábra 1, 5. oldal).
- Nyomja meg az "F2" gombot vagy válassza ki a „Connection” menüben a **Connect** (8. ábra 6, 5. oldal) parancsot.
- Nyomja meg az Enter gombot.
- Adja meg a **Total Pack Number** mezőben az eStore-ok mennyiségét, pl. „3”, ha összesen három készüléket szeretne csatlakoztatni (9. ábra 2, 5. oldal).
- Nyomja meg az Enter gombot.
- Adja meg a **Parallel Pack Number** mezőben az eStore-ok mennyiségét, pl. „3”, ha összesen három készüléket szeretne csatlakoztatni (9. ábra 3, 5. oldal).
- Megjegyzés:** A Total Pack Number és Parallel Pack Number mezőknek egyeznie kell.
- Nyomja meg az Enter gombot.
- Adja meg a **3331** jelszót (9. ábra 4, 5. oldal).

- ▶ Nyomja meg az Enter gombot.
- ▶ Ragassza fel az azonosító matricát (9. ábra 5, 5. oldal).

**Megjegyzés:** Az utolsó eStore számának egyeznie kell az eStore-ok mennyiségével.

## 9 Az első használat előtt



### MEGJEGYZÉS

Győződjön meg arról, hogy a szerelést követően minden eStore teljesen fel van töltve, ellenkező esetben a lemerülés károsodáshoz vezethet.

## 10 Az eStore használata



### FIGYELEM!

Ne hagyja az eStore készüléket lemerült állapotban.

Ha a túlzott lemerülés miatt nyit a főkapcsoló, akkor a lehető leghamarabb (maximum 5 napon belül) töltsse fel az eStore egységet. Ellenkező esetben az eStore tárolási üzemmódba kapcsol és károsodhat.



### MEGJEGYZÉS

Vegye figyelembe a következő utasításokat az eStore élettartamának növeléséhez:

- Kerülje az olyan mértékű lemerülést, amikor a főkapcsoló nyit (lásd: „Üzemi feszültségek és főkapcsoló” fejr., 350. oldal).
- Kerülje a töltés vagy a tárolás során a szélsőségesen magas vagy alacsony hőmérsékleteket.
- Kerülje a tartósan magas kisülést (> 200 A).

## 10.1 Üzemi feszültségek és főkapcsoló

Az eStore akkumulátorkezelő rendszer (BMS) az akkumulátor minden egyes cellájának külön kiértékelésével megállapítja, hogy a főkapcsoló nyitásával mikortól kell védeni az akkumulátort.

A főkapcsoló a következő módon működik:

eStore-állapot	főkapcsoló-állapot
Lemerítés	<p>&lt; 30 A, 11 – 12 V: A főkapcsoló nyit</p> <p>&gt; 30 A, 10 – 11,8 V: főkapcsoló nyit</p> <p>Ezek irányértékek, melyek csupán a tájékozódást szolgálják. A főkapcsoló nyitási feszültsége az olyan belső paraméterektől függ, mint a cellafeszültség és cellahőmérséklet, valamint a kisütési áram. A megadott áramerősség értékek az egyes eStore egységekre vonatkoznak.</p>
Töltés	<p>A főkapcsoló nyitási feszültsége az olyan belső paraméterektől függ, mint a cellafeszültség és cellahőmérséklet, valamint a töltési áram. A főkapcsoló nyitása előtti maximális feszültség 15,2 V. A javasolt töltési paraméterekkel normál üzemben végzett töltés hatására a főkapcsoló zárva marad.</p> <p>A javasolt töltési paramétereket lásd: „Az eStore töltése” fejelet, 350. oldal.</p>

## 10.2 Az eStore töltése



### FIGYELEM!

Az eStore olyan akkumulátortöltőkkel tölthető, mint például a eCore vagy a PerfectCharge MCA-töltők (válassza ki a Power Mode-ot; a megfelelő DIP-kapcsoló állást a töltő kezelési útmutatójában találhatja meg). Idegen gyártók akkumulátortöltőivel is tölthető. Ha a következő töltési feltételek teljesülnek, akkor normál körülmények között a főkapcsoló töltéskor zárva marad:

- Töltési végfeszültség: 13,8 V és 14,0 V közötti
- 40 A-es maximális kimeneti teljesítmény csatlakoztatott eStore készülékenként (30 A az ajánlott)



### MEGJEGYZÉS

Vegye figyelembe az alkalmazott töltő kezelési útmutatóját is.

## 10.3 A biztosíték kicserélése



### MEGJEGYZÉS

Legfeljebb 250 A-es, 50,8 mm-es lyuktávolságú biztosítékot szabad használni.

A biztosíték kicseréléséhez a következő módon járjon el:

- ▶ Nyissa ki a pozitív pólus fedelét („A pólus burkolatának felnyitása” fej., 344. oldal).
- ▶ Távolítsa el a biztosíték anyáit és alátéteit (10. ábra 1, 6. oldal).
- ▶ Cserélje ki a biztosítékot (10. ábra 2, 6. oldal).
- ▶ Rögzítse az új biztosítékot az anyákkal és az alátétekkel (10. ábra 1, 6. oldal). Húzza meg az anyákat 13 és 15 Nm közti nyomatékkal.
- ▶ Zárja le a pozitív pólus fedelét („A pólus burkolatának lezárása” fej., 344. oldal).

## 10.4 Az eStore tárolása



### MEGJEGYZÉS

- Az eStore egységet hűvös és száraz helyen tárolja.
  - Kerülje a tartósan magas hőmérséklet melletti tárolást. Ellenkező esetben rövidül az élettartam.
  - Töltse fel 3-havonta az eStore-t.
  - Hosszabb ideig való tárolás (pl. a jármű téli üzemszünete):
    - Válassza le az összes fogyasztót.
    - Töltse fel az eStore egységet.
    - Nyissa a főkapcsolót.
- Kerülje el a túlzott lemerülést és az eStore károsodását.

# 11 Az eStore tisztítása



### FIGYELEM!

Ne használjon éles vagy kemény eszközöket vagy tisztítószerket a tisztításhoz, mivel azok a termék sérülését okozhatják.

- ▶ Alkalmanként tisztítsa meg a terméket nedves ruhával.

## 12 Üzemzavarok elhárítása

Hiba	Ok	Elhárítás
Nincs feszültség az akkumulátor-kapcsokon.	A főkapcsoló ki van kapcsolva (nyitva).	➤ Kapcsolja be (zárja le) a főkapcsolót.
	A biztosíték meghibásodott.	➤ Cserélje ki a biztosítékot (lásd „A biztosíték kicserélése” feje., 351. oldal).
	Az eStore tároló üzemmódban van.	➤ Aktiválja az eStore-t.
	Az eStore nincs megfelelően konfigurálva.	➤ Konfigurálja az eStore-t.
	Az eStore mélykisülés miatt nem működik.	➤ Töltse fel az eStore-t < 10 A töltőárammal. <b>Megjegyzés:</b> Ne használjon intelligens töltőrendszereket (bekapcsolt főkapcsolónál nincs feszültség a kapcsokon. Az intelligens akkumulátortöltők nem működnek, ha nincs feszültség). ➤ Forduljon hivatalos szakkereskedéshez.
	Az eStore meghibásodott.	➤ Forduljon hivatalos szakkereskedéshez.
Az állapotjelző LED nem villog.	Az eStore tároló üzemmódban van.	➤ Aktiválja az eStore-t.
	Az eStore túlzott mértékben lemerült.	➤ Töltse fel az eStore-t < 10 A töltőárammal. <b>Megjegyzés:</b> Ne használjon intelligens töltőrendszereket (bekapcsolt főkapcsolónál nincs feszültség a kapcsokon. Az intelligens akkumulátortöltők nem működnek, ha nincs feszültség). ➤ Forduljon hivatalos szakkereskedéshez.
	Az eStore meghibásodott.	➤ Forduljon hivatalos szakkereskedéshez.



Hiba	Ok	Elhárítás
Az állapotjelző LED pirosan villog.	Az eStore több eStore csatlakoztatásához van konfigurálva és a buszkábelek nincsenek bedugva.	➤ Dugja be az eStore-kábeleket.
	Az eStore mélykisülés miatt nem működik.	➤ Töltse fel az eStore-t.
	Az eStore túl van töltve.	➤ Válassza le a töltőket az eStore-ról. ➤ Ellenőrizze az akkumulátortöltők töltési feszültségét.
	Az eStore meghibásodott.	➤ Forduljon hivatalos szakkereskedéshez.
Az eStore nem reagál a főkapcsoló bekapcsolására.	Az eStore tároló üzemmódban van.	➤ Aktiválja az eStore-t.
	Az eStore4 mélykisülés miatt nem működik.	➤ Töltse fel az eStore-t < 10 A töltőárammal. <b>Megjegyzés:</b> Ne használjon intelligens töltőrendszereket (bekapcsolt főkapcsolónál nincs feszültség a kapcsolón. Az intelligens akkumulátortöltők nem működnek, ha nincs feszültség). ➤ Forduljon hivatalos szakkereskedéshez.
	Az eStore nem masterként, hanem slave-ként van konfigurálva.	➤ Az eStore-master főkapcsolóját kell használni (eStore konfigurációja: #1)
	A több eStore csatlakoztatására szolgáló konfiguráció hibás.	➤ Ellenőrizze a konfigurációt.
	Az eStore meghibásodott.	➤ Forduljon hivatalos szakkereskedéshez.

Hiba	Ok	Elhárítás
A főkapcsoló bekapcsol (lezáródik), majd azonnal kikapcsol (kinyílik)	Az eStore mélykisülés miatt nem működik.	▶ Töltse fel az eStore-t.
	Az eStore túl van töltve.	▶ Válassza le a töltőket az eStore-ról. ▶ Ellenőrizze az akkumulátortöltők töltési feszültségét.
	A töltőáram túl magas.	▶ Csökkentse a töltőáramot.
	A kisütési áram túl magas.	▶ Csökkentse a terhelést. ▶ Ellenőrizze az eStore hőmérsékletét. ▶ Töltse fel az eStore-t.
	Az eStore károsodott.	▶ Forduljon hivatalos szakkereskedéshez.
„Warning eStore” üzenet jelenik meg az eCore kezelőpanelén.	Az eStore hőmérséklete túl alacsony.	▶ Ellenőrizze a töltőkészülék állapotjelző LED-jét. ▶ Ellenőrizze az eStore hőmérsékletét. ▶ Melegítse fel a környezetet.
	Az eStore hőmérséklete túl magas.	▶ Ellenőrizze a töltőkészülék állapotjelző LED-jét. ▶ Ellenőrizze az eStore hőmérsékletét. ▶ Hűtse le a környezetet.

## 13 Szavatosság

A termékre a törvény szerinti szavatossági időszak érvényes. A termék meghibásodása esetén forduljon a gyártói lerakathoz (a címetek lásd jelen útmutató hátoldalán), illetve az illetékes szakkereskedőhöz.

A javításhoz, illetve a szavatossági adminisztrációhoz a következő dokumentumokat kell mellékelnie:

- a számla vásárlási dátummal rendelkező másolatát,
- a reklamáció okát vagy a hibát tartalmazó leírást.

## 14 Ártalmatlanítás

- A csomagolóanyagot lehetőleg a megfelelő újrahasznosítható hulladék közé tegye.



Ha a terméket véglegesen kivonja a forgalomból, kérjük, tájékozódjon a legközelebbi hulladékártalmatlanító központnál vagy a szakkereskedőjénél az idevonatkozó ártalmatlanítási előírásokkal kapcsolatosan.




### Védje környezetét!

Az akkumulátorok és elemek nem a háztartási hulladékba valók.

Adja le a meghibásodott akkumulátorokat vagy elhasznált elemeket a kereskedőnél vagy egy gyűjtőhelyen.

## 15 Műszaki adatok

	eStore
Cikkszám:	9102900224
Névleges feszültség:	13,2 V---
Üzemi hőmérséklet-tartomány (lemerítéskor):	-30 °C (csökkentett teljesítménnyel) +55 °C-ig
Hőmérsékleti tartomány eCore készülékkel való töltéshez: más töltőkészülékeknel:	-10 °C és +55 °C közt 0 °C és +40 °C közt
Névleges kapacitás:	100 Ah
Méretek (h x sz x m):	315 x 160 x 285 mm
Súly:	17 kg
Vizsgálat/tanúsítvány:	 IEC 62133 UN 38.3 UN 3480

**GERMANY****Domestic WAECO International GmbH**

Hollefeldstraße 63 · D-48282 Emsdetten  
 ☎ +49 (0) 2572 879-195 · 📠 +49 (0) 2572 879-322  
 Mail: info@domestic-waeco.de

**AUSTRALIA****Domestic Australia Pty. Ltd.**

1 John Duncan Court  
 Varsity Lakes QLD 4227  
 ☎ 1800 212121  
 📠 +61 7 55076001  
 Mail: sales@domestic-waeco.com.au

**AUSTRIA****Domestic Austria GmbH**

Neudorferstraße 108  
 A-2353 Guntramsdorf  
 ☎ +43 2236 908070  
 📠 +43 2236 90807060  
 Mail: info@domestic.at

**BENELUX****Domestic Branch Office Belgium**

Zincstraat 3  
 B-1500 Halle  
 ☎ +32 2 3598040  
 📠 +32 2 3598050  
 Mail: info@domestic.be

**BRAZIL****Domestic DO Brasil LTDA**

Avenida Paulista 1754, conj. 111  
 SP 01310-920 Sao Paulo  
 ☎ +55 11 3251 3352  
 📠 +55 11 3251 3362  
 Mail: info@domestic.com.br

**DENMARK****Domestic Denmark A/S**

Nordensvej 15, Taulov  
 DK-7000 Fredericia  
 ☎ +45 75585966  
 📠 +45 75586307  
 Mail: info@domestic.dk

**FINLAND****Domestic Finland OY**

Mestariitie 4  
 FIN-01730 Vantaa  
 ☎ +358 20 7413220  
 📠 +358 9 7593700  
 Mail: info@domestic.fi

**FRANCE****Domestic SAS**

ZA du Pré de la Dame Jeanne  
 B.P. 5  
 F-60128 Pleilly  
 ☎ +33 3 44633525  
 📠 +33 3 44633518  
 Mail: vehiculesdeloisirs@domestic.fr

**HONG KONG****Domestic Group Asia Pacific**

Suites 2207-11 / 22/F - Tower 1  
 The Gateway - 25 Canton Road,  
 Tsim Sha Tsui - Kowloon  
 ☎ +852 2 4611386  
 📠 +852 2 4665553  
 Mail: info@waeco.com.hk

**HUNGARY****Domestic Zrt. Sales Office**

Kerekgyártó u. 5.  
 H-1147 Budapest  
 ☎ +36 1 468 4400  
 📠 +36 1 468 4401  
 Mail: budapest@domestic.hu

**ITALY****Domestic Italy S.r.l.**

Via Virgilio, 3  
 I-47122 Forlì (FC)  
 ☎ +39 0543 754901  
 📠 +39 0543 754983  
 Mail: vendite@domestic.it

**JAPAN****Domestic KK**

Maekawa-Shibaura, Bldg. 2  
 2-13-9 Shibaura Minato-ku  
 Tokyo 108-0023  
 ☎ +81 3 5445 3333  
 📠 +81 3 5445 3339  
 Mail: info@domestic.jp

**MEXICO****Domestic Mx, S. de R. L. de C. V.**

Circuito Médicos No. 6 Local 1  
 Colonia Ciudad Satélite  
 CP 53100 Naucalpan de Juárez  
 Estado de México  
 ☎ +52 55 5374 4108  
 📠 +52 55 5393 4683  
 Mail: info@domestic.com.mx

**NETHERLANDS****Domestic Benelux B.V.**

Ecustraat 3  
 NL-4879 NP Etten-Leur  
 ☎ +31 76 5029000  
 📠 +31 76 5029019  
 Mail: info@domestic.nl

**NEW ZEALAND****Domestic New Zealand Ltd.**

Unite E, The Gate  
 373 Neilson Street  
 Penrose 1, Auckland  
 ☎ +64 9 622 1490  
 📠 +64 9 622 1573  
 Mail: customerservices@domestic.co.nz

**NORWAY****Domestic Norway AS**

Østerøyveien 46  
 N-3232 Sandefjord  
 ☎ +47 33428450  
 📠 +47 33428459  
 Mail: firmapost@domestic.no

**POLAND****Domestic Poland Sp. z o.o.**

Ul. Puławska 435A  
 PL-02-801 Warszawa  
 ☎ +48 22 414 3200  
 📠 +48 22 414 3201  
 Mail: info@domestic.pl

**PORTUGAL****Domestic Spain, S.L.**

Branch Office em Portugal  
 Rot. de São Gonçalo nº 1 – Esc. 12  
 2775-399 Carcavelos  
 ☎ +351 219 244 173  
 📠 +351 219 243 206  
 Mail: info@domestic.pt

**RUSSIA****Domestic RUS LLC**

Komsomolskaya square 6-1  
 RU-107140 Moscow  
 ☎ +7 495 780 79 39  
 📠 +7 495 916 56 53  
 Mail: info@domestic.ru

**SINGAPORE****Domestic Pte Ltd**

18 Boon Lay Way 06-140 Trade Hub 21  
 Singapore 609966  
 ☎ +65 6795 3177  
 📠 +65 6862 6620  
 Mail: domestic@domestic.com.sg

**SLOVAKIA****Domestic Slovakia s.r.o. Sales Office Bratislava**

Nádražná 34/A  
 900 28 Ivanka pri Dunaji  
 ☎/📠 +421 2 45 529 680  
 Mail: bratislava@domestic.com

**SOUTH AFRICA****Domestic (Pty) Ltd.****Regional Office****South Africa & Sub-Saharan Africa**

2 Avalon Road  
 West Lake View Ext 11  
 Modderfontein 1645  
 Johannesburg  
 ☎ +27 11 4504978  
 📠 +27 11 4504976  
 Mail: info@domestic.co.za

**SPAIN****Domestic Spain S.L.**

Avda. Sierra del Guadarrama, 16  
 E-28691 Villanueva de la Cañada  
 Madrid  
 ☎ +34 902 111 042  
 📠 +34 900 100 245  
 Mail: info@domestic.es

**SWEDEN****Domestic Scandinavia AB**

Gustaf Melins gata 7  
 S-42131 Västra Frölunda  
 ☎ +46 31 7341100  
 📠 +46 31 7341101  
 Mail: info@domesticgroup.se

**SWITZERLAND****Domestic Switzerland AG**

Riedackerstrasse 7a  
 CH-8153 Rümlang  
 ☎ +41 44 8187171  
 📠 +41 44 8187191  
 Mail: info@domestic.ch

**UNITED ARAB EMIRATES****Domestic Middle East FZCO**

P. O. Box 17860  
 S-D 6, Jebel Ali Freezone  
 Dubai  
 ☎ +971 4 883 3858  
 📠 +971 4 883 3868  
 Mail: info@domestic.ae

**UNITED KINGDOM****Domestic UK Ltd.**

Domestic House, The Brewery  
 Blandford St. Mary  
 Dorset DT11 9LS  
 ☎ +44 344 626 0133  
 📠 +44 344 626 0143  
 Mail: customerservices@domestic.co.uk

**USA****Domestic RV Division**

1120 North Main Street  
 Elkhart, IN 46515  
 ☎ +1 574-264-2131